

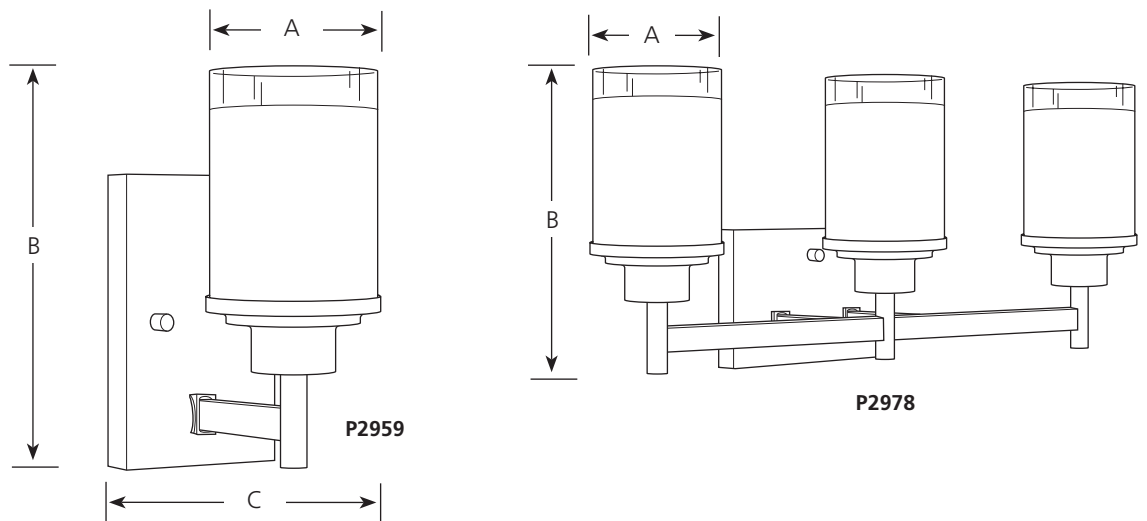
Type \_\_\_\_\_

-09

- P2959
- P2960
- P2961
- P2998

**Finish**

| Catalog No. | Brushed Nickel | Lamping    | Dimensions (Inches) |       |       |
|-------------|----------------|------------|---------------------|-------|-------|
|             |                |            | A                   | B     | C     |
| P2959       | -09            | 1 (m) 100w | 4-1/2               | 9-1/2 | 6-1/8 |
| P2977       | -09            | 2 (m) 100w | 13                  | 9-1/2 | 6-1/8 |
| P2978       | -09            | 3 (m) 100w | 22                  | 9-1/2 | 6-1/8 |
| P2998       | -09            | 4 (m) 100w | 31                  | 9-1/2 | 6-1/8 |



**Specifications:**

General

- Glass 4-1/16" dia.
- A crisp, clear edge accent strip complements the linen and clear glass
- Brushed Nickel (-09) finish
- Mounts in "up" or "down" position
- Steel construction
- Companion foyer, chandelier, mini-pendant, and close-to-ceiling units

Mounting

- Wall mounted
- Canopy covers a standard 4" hexagonal recessed outlet box
- Mounting strap for outlet box included
- Backplate
  - P2959: 4-1/2" W x 7" ht.
  - P2977, P2978, P2998: 7" W x 4-1/2" ht.

Electrical

- Medium based ceramic socket
- Pre-wired

Labeling

- UL-CUL damp location listed