

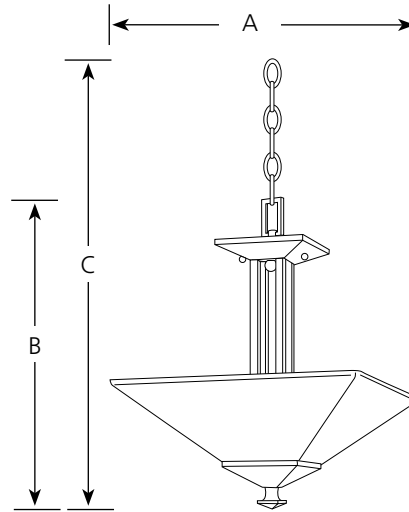
Type _____

-09 -74

P3597

Finish

Catalog No.	Finish			Dimensions (Inches)		
	Brushed Nickel	Venetian Bronze	Lamping	A	B	C
P3597	-09	-74	2 (m) 100w	12-3/4	13-5/8	89



Specifications:

General

- Square etched glass inverted shade: 12-3/4" dia. x 4-1/8" ht., 1/2" center hole
- Center column is a cluster of four square rods
- Can be mounted direct to ceiling as a semi-flush unit or chain hung
- Six feet of 9 gauge matching chain supplied
- Plated Brushed Nickel (-09) or painted Venetian Bronze (-74) finish
- Companion foyer, chandelier, pendant, close to ceiling, and bath & vanity units

Mounting

- Ceiling semi-flush or chain mounted
- Canopy covers a standard 4" recessed octagonal outlet box
- Canopy is 4-3/4" sq. x 7/8" deep
- Mounting strap for outlet box included

Electrical

- Medium based ceramic socket
- 15 feet of wired
- Pre-wired

Labeling

- cCSAus listed