



Incandescent

North Park

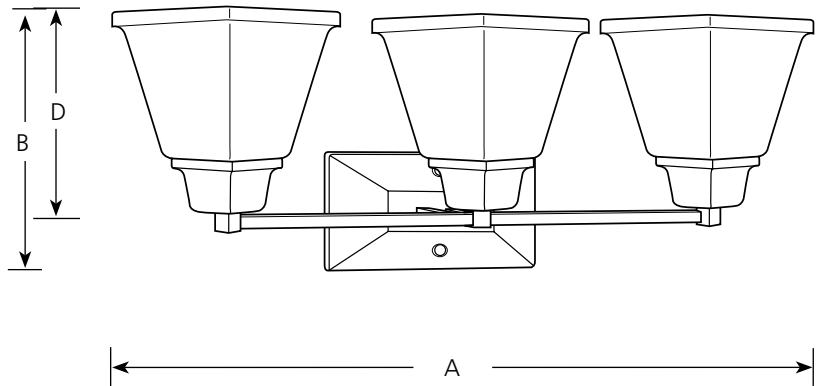
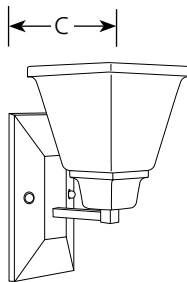
Bath and Vanity

Type _____

-09 -74

P2743

Catalog No.	Finish		Dimensions (Inches) Lamping	A	B	C	D
	Brushed Nickel	Venetian Bronze					
P2743	-09	-74	3 (m) 100w	23	9	7-1/8	2-1/8



Specifications:

General

- Square etched glass shade: 5-1/2" dia. x 5" ht., 1-5/8" center hole
- Square bar supports the shades
- Plated Brushed Nickel (-09) or painted Venetian Bronze (-74) finish
- Can be mounted in "up" or "down" position
- Steel Construction
- Companion foyer, chandelier, pendant, close to ceiling and bath and vanity units

Mounting

- Wall mounted
- Unit covers a standard 4" recessed octagonal outlet box
- Canopy is 8" W x 4-3/16" T x 1" deep
- Mounting strap for outlet box included

Electrical

- Pre-wired
- Ceramic medium based sockets

Labeling

- UL-CUL damp location listed

Progress Lighting
701 Millennium Blvd.
Greenville, South Carolina
29607

www.progresslighting.com

Rev. 6/10