



Metal Halide
Trim

**8" Pro-Optic Lensed
Vertical Lamp
Non-IC**

Recessed

Type _____
-68 -83
P8119

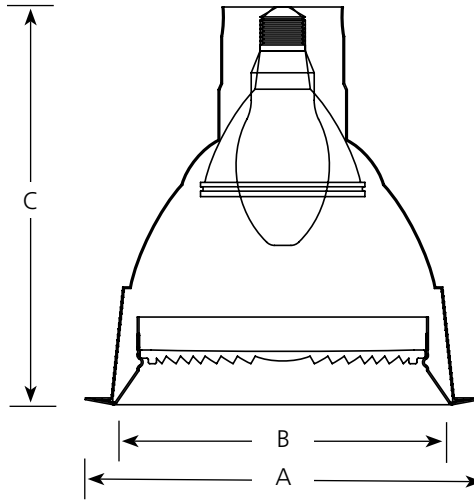
Finish

| Catalog No. | Prismatic | Fresnel |
|-------------|-----------|---------|
| P8119 | -68 | -83 |

Dimensions (Inches)

| A | B | C |
|---|-------|----|
| 9 | 7-3/4 | 10 |

Maximum Ceiling Thickness: 1-1/4"



Lamp Wattage

| Housing | IC | Non-IC |
|----------|-----|-------------------------|
| P8202-EB | N/A | 1-70w ED17 or PAR30L MH |
| P8203-EB | N/A | 1-100w ED17 MH |

Specifications:

Flange

- White painted splay and integral flange
- Regressed fresnel or prismatic glass lens
- Attaches to reflector with two torsion springs to assure tight fit to ceiling

Reflector

- All aluminum construction
- Anodized Alzak upper conoid reflector
- No light leaks around trim flange
- Socket cup mounts to reflector for optimum performance and consistent lamp position
- Reflector retention accomplished by spring clips located in aperture of housing

Lens

- Glass Fresnel (-83) or prismatic (-68) lenses
- Protects lamps from below ceiling

Labeling

- UL-CUL listed for wet location
- Non-IC rated

Progress Lighting
701 Millennium Blvd.
Greenville, South Carolina
29607

P8202-EB/P8119-68

8" RECESSED/DOWNLIGHT

Report No. 368-PRO

No. Lamps: 1 Type Lamp: 1-70W/ED-17 MP70/C/U/MED Total Lumens: 3100

Fixture Efficiency: 43.5%

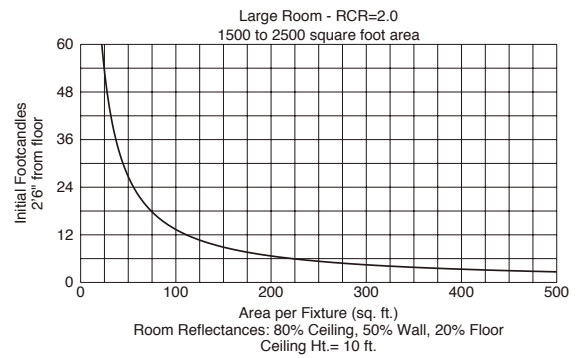
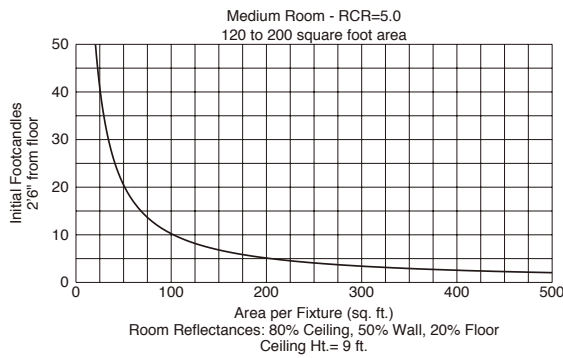
S/MH Ratio: 0.9

Single Fixture Data

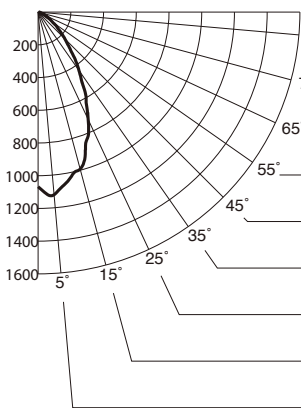
| Ceiling Ht.(Ft.) | 10% Values | | Zero Degrees | 50% Values | |
|---------------------|------------------|-----------|-----------------|------------------|-----------|
| | Beam Angle - 85° | | | Beam Angle - 50° | |
| | Ft.-C | Beam Dia. | Ft.-C | Ft.-C | Beam Dia. |
| 8 | 3.5 | 10 | 35.3 | 17.6 | 5 |
| 10 | 1.9 | 14 | 19.0 | 9.5 | 7 |
| 12 | 1.2 | 17 | 11.8 | 5.9 | 9 |
| 14 | 0.8 | 21 | 8.1 | 4.0 | 11 |
| 16 | 0.6 | 25 | 5.9 | 2.9 | 13 |

Ft.-C (Footcandles) are initial and measured 2'-6" from floor

Quick Calculator Charts



DISTRIBUTION CURVE



INTENSITY DATA

| DEGREES | CANDELA |
|---------|---------|
| 90 | 0 |
| 85 | 3 |
| 80 | 16 |
| 75 | 24 |
| 70 | 34 |
| 65 | 51 |
| 60 | 78 |
| 55 | 111 |
| 50 | 162 |
| 45 | 231 |
| 40 | 319 |
| 35 | 436 |
| 30 | 583 |
| 25 | 725 |
| 20 | 852 |
| 15 | 994 |
| 10 | 1049 |
| 5 | 1121 |
| 0 | 1067 |

ZONAL CAVITY COEFFICIENTS OF UTILIZATION

Effective Floor Cavity Reflectance 0.20

| RC | 80 | | | | 70 | | | | 50 | | | | 30 | | | | 10 | | | | 0 | | | |
|----|----|----|----|----|----|----|----|----|----|----|----|----|----|----|----|----|----|----|----|----|----|----|----|---|
| | 70 | 50 | 30 | 10 | 70 | 50 | 30 | 10 | 50 | 30 | 10 | 50 | 30 | 10 | 50 | 30 | 10 | 50 | 30 | 10 | 50 | 30 | 10 | 0 |
| 0 | 52 | 52 | 52 | 52 | 51 | 51 | 51 | 51 | 48 | 48 | 48 | 46 | 46 | 46 | 44 | 44 | 44 | 44 | 44 | 44 | 44 | 44 | 43 | |
| 1 | 49 | 47 | 46 | 45 | 48 | 46 | 45 | 44 | 44 | 43 | 43 | 43 | 42 | 41 | 41 | 41 | 40 | 40 | 39 | 39 | 38 | 37 | 35 | |
| 2 | 46 | 43 | 41 | 39 | 45 | 42 | 40 | 38 | 41 | 39 | 38 | 39 | 38 | 37 | 38 | 37 | 36 | 35 | 35 | 34 | 33 | 32 | 32 | |
| 3 | 43 | 39 | 37 | 34 | 42 | 39 | 36 | 34 | 37 | 35 | 34 | 36 | 34 | 33 | 35 | 34 | 32 | 32 | 31 | 30 | 29 | 29 | 29 | |
| 4 | 40 | 36 | 33 | 31 | 39 | 35 | 33 | 31 | 34 | 32 | 30 | 33 | 31 | 30 | 33 | 31 | 29 | 29 | 28 | 27 | 27 | 26 | 26 | |
| 5 | 37 | 33 | 30 | 28 | 37 | 33 | 30 | 28 | 32 | 29 | 27 | 31 | 29 | 27 | 30 | 28 | 27 | 26 | 26 | 25 | 25 | 24 | 24 | |
| 6 | 35 | 31 | 27 | 25 | 34 | 30 | 27 | 25 | 30 | 27 | 25 | 29 | 27 | 25 | 28 | 26 | 25 | 24 | 24 | 23 | 23 | 22 | 22 | |
| 7 | 33 | 28 | 25 | 23 | 32 | 28 | 25 | 23 | 27 | 25 | 23 | 27 | 25 | 23 | 26 | 24 | 23 | 22 | 22 | 21 | 21 | 20 | 20 | |
| 8 | 31 | 26 | 23 | 21 | 31 | 26 | 23 | 21 | 26 | 23 | 21 | 25 | 23 | 21 | 25 | 23 | 21 | 20 | 20 | 19 | 19 | 18 | 18 | |
| 9 | 30 | 25 | 22 | 20 | 29 | 24 | 22 | 20 | 24 | 21 | 20 | 24 | 21 | 20 | 23 | 21 | 19 | 19 | 18 | 18 | 17 | 17 | 17 | |
| 10 | 28 | 23 | 20 | 18 | 28 | 23 | 20 | 18 | 23 | 20 | 18 | 22 | 20 | 18 | 22 | 20 | 18 | 17 | 17 | 16 | 16 | 15 | 15 | |

P8202-EB/P8119-83

8" RECESSED/DOWNLIGHT

Report No. 367-PRO

No. Lamps: 1 Type Lamp: 1-70W/ED-17 MP70/C/U/MED Total Lumens: 3100

Fixture Efficiency: 41.5%

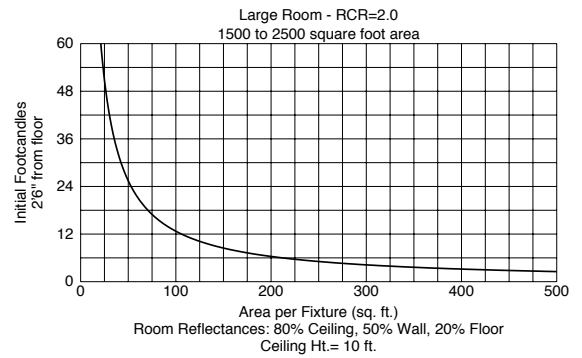
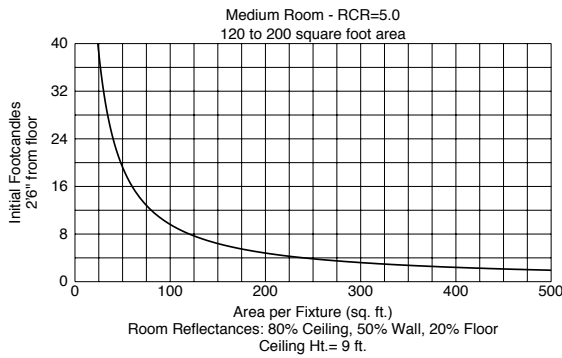
S/MH Ratio: 0.9

Single Fixture Data

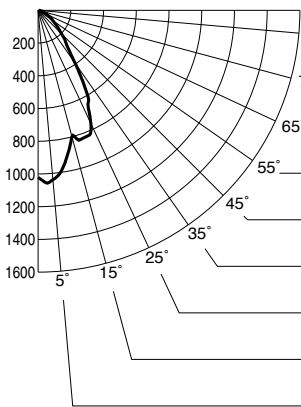
| Ceiling Ht.(Ft.) | 10% Values | | Zero Degrees Ft.-C | 50% Values | |
|---------------------|------------------|-----------|--------------------------|------------------|-----------|
| | Beam Angle - 84° | | | Beam Angle - 53° | |
| | Ft.-C | Beam Dia. | | Ft.-C | Beam Dia. |
| 8 | 3.4 | 10 | 33.8 | 16.9 | 5 |
| 10 | 1.8 | 13 | 18.2 | 9.1 | 7 |
| 12 | 1.1 | 17 | 11.3 | 5.7 | 9 |
| 14 | 0.8 | 21 | 7.7 | 3.9 | 11 |
| 16 | 0.6 | 24 | 5.6 | 2.8 | 13 |

Ft.-C (Footcandles) are initial and measured 2'-6" from floor

Quick Calculator Charts



DISTRIBUTION CURVE



INTENSITY DATA

| DEGREES | CANDELA |
|---------|---------|
| 90 | 0 |
| 85 | 4 |
| 80 | 17 |
| 75 | 26 |
| 70 | 42 |
| 65 | 59 |
| 60 | 85 |
| 55 | 111 |
| 50 | 150 |
| 45 | 202 |
| 40 | 269 |
| 35 | 393 |
| 30 | 609 |
| 25 | 762 |
| 20 | 827 |
| 15 | 798 |
| 10 | 946 |
| 5 | 1039 |
| 0 | 1021 |

ZONAL CAVITY COEFFICIENTS OF UTILIZATION

Effective Floor Cavity Reflectance 0.20

| RC | 80 | | | | | | 70 | | | | | | 50 | | | | | | 30 | | | | | | 10 | | | | | | 0 | | | | | |
|----|----|----|----|----|----|----|----|----|----|----|----|----|----|----|----|----|----|----|----|----|----|----|----|----|----|----|----|----|--|--|---|--|--|--|--|--|
| | RW | 70 | 50 | 30 | 10 | 70 | 50 | 30 | 10 | 50 | 30 | 10 | 50 | 30 | 10 | 50 | 30 | 10 | 50 | 30 | 10 | 50 | 30 | 10 | 50 | 30 | 10 | 0 | | | | | | | | |
| 0 | 49 | 49 | 49 | 49 | 49 | 48 | 48 | 48 | 48 | 46 | 46 | 46 | 44 | 44 | 44 | 42 | 42 | 42 | 42 | 42 | 42 | 42 | 42 | 42 | 42 | 42 | 42 | 42 | | | | | | | | |
| 1 | 46 | 45 | 44 | 42 | 42 | 45 | 44 | 43 | 42 | 42 | 41 | 40 | 41 | 40 | 39 | 39 | 39 | 38 | 37 | 37 | 37 | 38 | 37 | 37 | 37 | 37 | 37 | 37 | | | | | | | | |
| 2 | 43 | 41 | 39 | 37 | 37 | 42 | 40 | 38 | 36 | 39 | 37 | 36 | 37 | 36 | 35 | 36 | 35 | 34 | 33 | 36 | 35 | 34 | 33 | 33 | 33 | 33 | 33 | 33 | | | | | | | | |
| 3 | 41 | 37 | 35 | 33 | 33 | 40 | 37 | 34 | 32 | 35 | 33 | 32 | 34 | 33 | 31 | 33 | 32 | 31 | 30 | 33 | 32 | 31 | 30 | 30 | 30 | 30 | 30 | 30 | | | | | | | | |
| 4 | 38 | 34 | 31 | 29 | 29 | 37 | 34 | 31 | 29 | 33 | 30 | 28 | 32 | 30 | 28 | 31 | 29 | 28 | 27 | 31 | 29 | 28 | 27 | 27 | 27 | 27 | 27 | 27 | | | | | | | | |
| 5 | 36 | 31 | 28 | 26 | 26 | 35 | 31 | 28 | 26 | 30 | 28 | 26 | 29 | 27 | 26 | 29 | 27 | 26 | 25 | 29 | 27 | 26 | 25 | 25 | 25 | 25 | 25 | 25 | | | | | | | | |
| 6 | 33 | 29 | 26 | 24 | 24 | 33 | 29 | 26 | 24 | 28 | 25 | 24 | 27 | 25 | 23 | 27 | 25 | 23 | 22 | 27 | 25 | 23 | 22 | 22 | 22 | 22 | 22 | 22 | | | | | | | | |
| 7 | 31 | 27 | 24 | 22 | 22 | 31 | 27 | 24 | 22 | 26 | 23 | 22 | 25 | 23 | 21 | 25 | 23 | 21 | 20 | 25 | 23 | 21 | 20 | 20 | 20 | 20 | 20 | 20 | | | | | | | | |
| 8 | 30 | 25 | 22 | 20 | 20 | 29 | 25 | 22 | 20 | 24 | 22 | 20 | 24 | 21 | 20 | 23 | 21 | 20 | 19 | 23 | 21 | 20 | 19 | 19 | 19 | 19 | 19 | 19 | | | | | | | | |
| 9 | 28 | 23 | 20 | 19 | 19 | 27 | 23 | 20 | 19 | 23 | 20 | 18 | 22 | 20 | 18 | 22 | 20 | 18 | 17 | 22 | 20 | 18 | 17 | 17 | 17 | 17 | 17 | 17 | | | | | | | | |
| 10 | 27 | 22 | 19 | 17 | 17 | 26 | 22 | 19 | 17 | 21 | 19 | 17 | 21 | 19 | 17 | 21 | 19 | 17 | 16 | 21 | 19 | 17 | 16 | 16 | 16 | 16 | 16 | 16 | | | | | | | | |