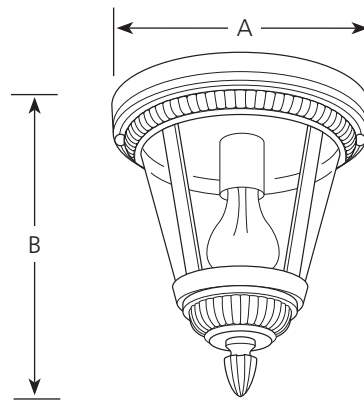


Type	_____		
	-20	-30	-31
P3883	<input type="checkbox"/>	<input type="checkbox"/>	<input type="checkbox"/>

Catalog No.	Finish			Lamping	Dimensions (Inches)	
	Antique Bronze	White	Black		A	B
P3883	-20	-30	-31	1 (m) 100w	9	10-1/4



Specifications:

General

- Clear seeded glass: 7" dia. x 5-3/4" ht.
- Ribbed details with ribbed finials
- Die cast aluminum construction
- Painted finishes
- Companion post top, chain hung, and wall units are available


Mounting

- Ceiling flush mounted
- Unit covers a standard recessed 4" octagonal outlet box, 9" dia. 1" canopy
- Mounting strap for outlet box included

Electrical

- Ceramic medium based socket
- Pre-wired

Labeling

-  damp location listed

Type _____

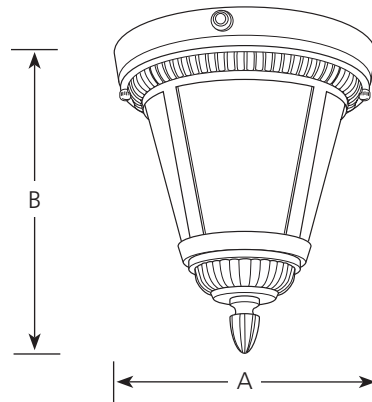
-20STR

P3883

Finish

Dimensions (Inches)

Catalog No.	Antique Bronze	Lamping	A	B
P3883	-20STR	1-13w CFL	9	10-1/2



Specifications:


General

- Seeded frosted glass: 7" dia. x 5-3/4" ht.
- Beaded details with ribbed finials
- Die cast aluminum construction
- Painted or acid antique bronze finish
- Companion post top, chain mounted and wall units

Electrical

- GU24 based socket
- Integral photocell turns unit off during daytime
- Pre-wired

Labeling

-  US damp location listed

Mounting

- Ceiling flush mounted
- Unit covers a standard recessed 4" octagonal outlet box, 9" dia. 1" canopy
- Mounting strap supplied