



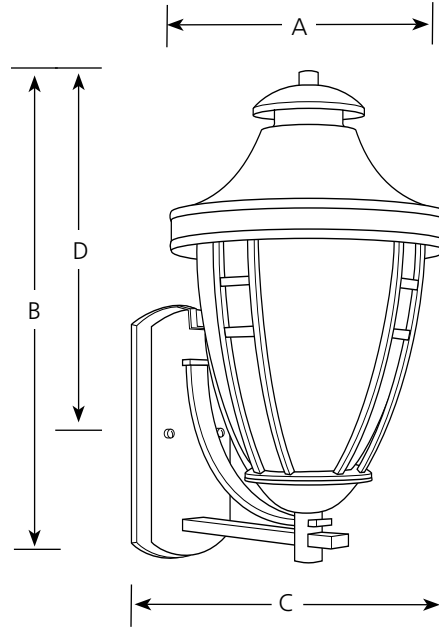
Incandescent

Fairview

Outdoor

Type _____
 -09 -31
 P5780

Catalog No.	Finish		Lamping	Dimensions (Inches)			
	Brushed Nickel	Black		A	B	C	D
P5780	-09	-31	1 (m) 100w	10-1/2	17	12-1/4	12-1/2



Specifications:

General

- Acorn shape
- Etched glass enclosure
- Tapered round top, and twin bar trim
- Brushed nickel unit is solid brass, and the black unit is aluminum construction
- Plated brushed nickel (-09) or black painted (-31) finish

Mounting

- Wall mount
- Canopy covers a standard recessed 4" octagonal outlet box
- Mounting strap for outlet box included.

Electrical

- Ceramic medium based socket
- Pre-wired

Labeling

- UL-CUL wet location listed

Progress Lighting
 701 Millennium Blvd.
 Greenville, South Carolina
 29607

www.progresslighting.com