



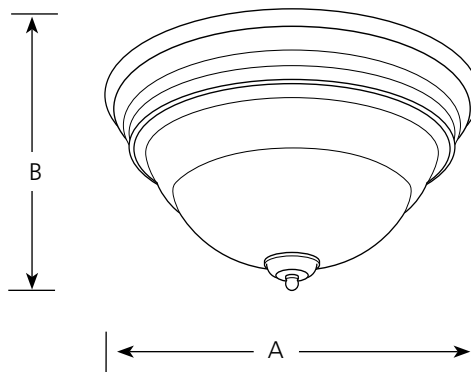
Incandescent

Torino

Close to Ceiling

Type	_____	
	-09	-77
P3184	<input type="checkbox"/>	<input type="checkbox"/>

Catalog No.	Finish		Lamping	Dimensions (Inches)	
	Brushed Nickel	Forged Bronze		A	B
P3184	-09	-77	2 (m) 100w	14-5/8	7-1/8



**Specifications:**

General

- Tea stained (-77) or etched white (-09) glass bowl, 1-1/4" dia. x 4-1/8" tall, 1/2" dia. center hole
- Center glass lock up
- Hand painted Forged Bronze finish (-77) with brown and black tones
- Plated Brushed Nickel (-09)
- Steel construction
- Companion fixtures: Other chandeliers, hall and foyer, sconce, pendant, and close to ceiling.

Mounting

- Ceiling mount
- Pan covers a standard 4" octagonal recessed outlet box
- Mounting strap for outlet box included

Electrical

- Pre-wired
- Ceramic medium based sockets

Labeling

- UL-CUL damp location listed

Progress Lighting  
 701 Millennium Blvd.  
 Greenville, South Carolina  
 29607

www.progresslighting.com

Rev. 3/11