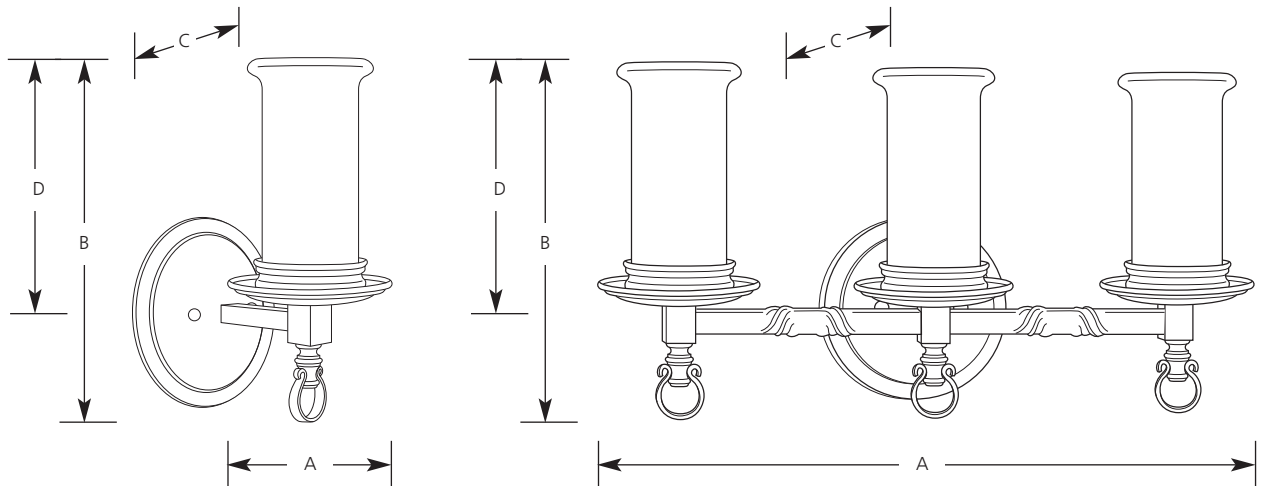


Type	_____		
	-80	-102	-103
P2752	<input type="checkbox"/>	<input type="checkbox"/>	<input type="checkbox"/>
P2753	<input type="checkbox"/>	<input type="checkbox"/>	<input type="checkbox"/>
P2754	<input type="checkbox"/>	<input type="checkbox"/>	<input type="checkbox"/>

Catalog No.	Finish			Lamping	Dimensions (Inches)			
	Forged Black	Roasted Java	Antique Pewter		A	B	C	D
P2752	-80	-102	-103	1 (c) 100w	6-3/8	11	7	7-7/8
P2753	-80	-102	-103	2 (c) 100w	14	11	7	7-7/8
P2754	-80	-102	-103	3 (c) 100w	21	11	7	7-7/8



Specifications:

General

- Jasmine glass shades
- Scrolled square arms
- Round back plate
- Painted finishes
- Steel Construction
- Companion chandeliers, hall and foyer, wall bracket, and close to ceiling units

Mounting

- Wall mounted
- Back plate covers a standard 4" hexagonal outlet box
- Mounting strap for outlet box included

Electrical

- Phenolic candelabra based sockets.
- Pre-wired

Labeling

- UL-CUL damp location listed