



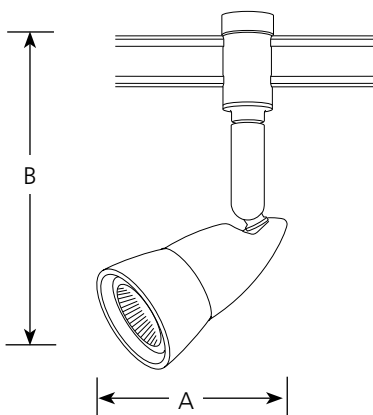
Incandescent
Halogen

Illuma-Flex® Mini Pendant
Glass Shade Low Voltage

Track

	Type							
	-09A	-174A	-09B	-174B	-09R	-174R	-09W	-174W
P6120	<input type="checkbox"/>	<input type="checkbox"/>	<input type="checkbox"/>	<input type="checkbox"/>	<input type="checkbox"/>	<input type="checkbox"/>	<input type="checkbox"/>	<input type="checkbox"/>

Catalog No.	Finish		Glass Shade	Lamping	Dimensions (Inches)	
	Brushed Nickel	Urban Bronze			A	B
P6120	-09A	-174A	Amber	12v 35w MR11 (Incl)	3	6
P6120	-09B	-174B	Blue	12v 35w MR11 (Incl)	3	6
P6120	-09R	-174R	Red	12v 35w MR11 (Incl)	3	6
P6120	-09W	-174W	White	12v 35w MR11 Coated lamp (Incl)	3	6



Specifications:

General

- Flex track head with colored glass shade
- Plated brushed nickel (-09) or urban bronze (-174) finishes
- MR11 medium flood lamp included
- Mounts anywhere along Illuma-Flex track sections, or on monopoint

Track Head Support

- Single stem mounting
- 358 degree rotation
- 0 to 90 degree vertical swing

Electrical

- Attachment to 12 volt Illuma-Flex track with supplied track fitter, 120V Alpha-Track using supplied P8777 adaptor and P8516 Alpha-Track transformer or monopoint canopy (requires P8780 or P8794 accessory)
- Lamp has a GU4 bi-pin base

Labeling

- CSA-CSA/US listed

Progress Lighting
701 Millennium Blvd.
Greenville, South Carolina
29607

www.progresslighting.com