



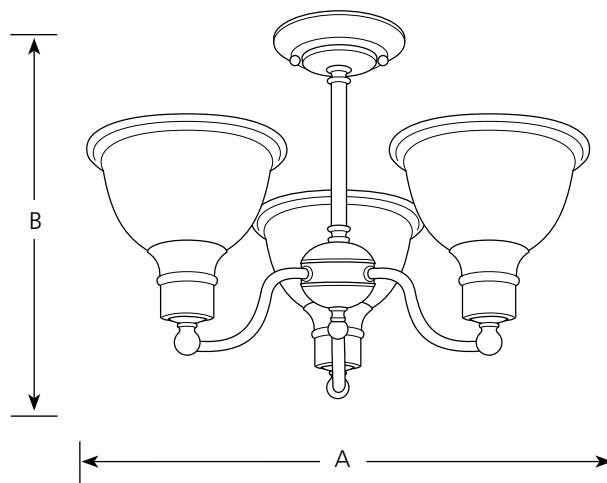
Incandescent

Madison

Close to Ceiling

Type _____
-09 -20
P3663

Catalog No.	Finish		Lamping	Dimensions (Inches)	
	Brushed Nickel	Antique Bronze		A	B
P3663	-09	-20	3 (m) 75w	20-3/4	14



Specifications:

General

- Reversible construction - Shades up or down
- Semi-flush design
- Etched glass shades
- Concealed glass shade retention
- Built in stop allows only 180 degree rotation
- Self retaining design holds arms in place
- Steel construction
- Plated brushed nickel (-09) finish. Painted antique bronze (-20).
- Companion chandeliers, hall and foyer, pendant, close to ceiling, and bath & vanity units

Mounting

- Direct ceiling mounted
- Canopy covers a standard recessed 4" octagonal outlet box
- Mounting strap for outlet box included

Electrical

- Ceramic medium based sockets
- Pre-wired

Labeling

- UL-CUL listed

Progress Lighting
701 Millennium Blvd.
Greenville, South Carolina
29607

www.progresslighting.com

Rev. 4/11