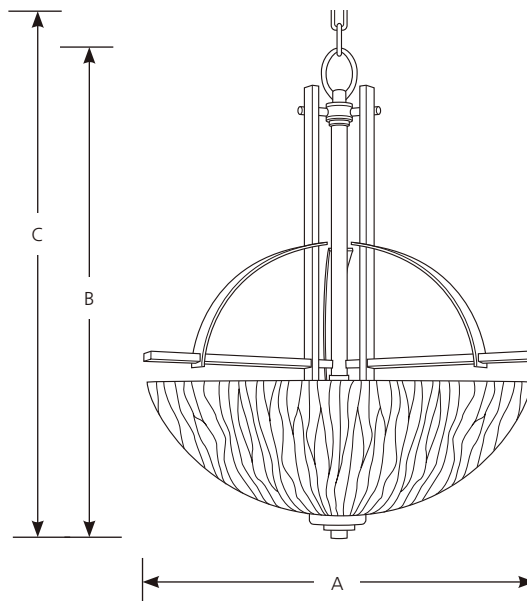


Type _____
 -88
 P3519

Catalog No.	Finish	Lamping	Dimensions (Inches)		
	Heirloom		A	B	C
P3519	-88	3 (m) 100w	18-3/4	22-3/4	98



Specifications:

General

- Etched light topaz wave bowl style
- Forged linear struts
- Intersecting forged arches
- 6 feet of 9 gauge matching chain supplied
- Steel construction
- Hand painted heirloom finish
- Companion chandeliers, mini-pendant, close to ceiling, and bath & vanity units

Electrical

- 15 feet of wire
- Ceramic medium based sockets
- Pre-wired

Labeling

- UL-CUL listed

Mounting

- Chain hung ceiling
- Canopy covers a standard recessed 4" octagonal outlet box
- Mounting strap for outlet box included