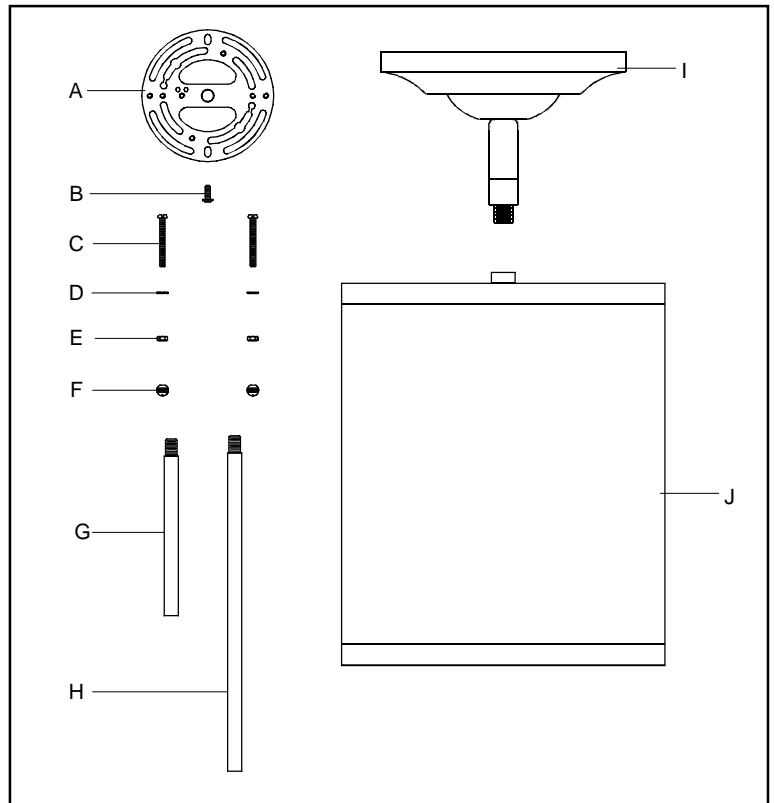


PACKAGE CONTENTS

ISSUED 09-2008

Part	Description	Quantity
A	Crossbar	1pc
B	Green Ground Screw	1pc
C	Mounting Screw	2pcs
D	Lock Washer	2pcs
E	Hex Nut (for Mounting Screw)	2pcs
F	Mounting Ball	2pcs
G	6" Rod	2pcs
H	12" Rod	2pcs
I	Ceiling Canopy	1pc
J	Shade Assembly	1pc



! WARNINGS AND CAUTIONS

WARNING:

- Before beginning the installation, turn off electricity at the circuit breaker box or the main fuse box by switching off the circuit breaker or removing the fuse.

CAUTIONS:

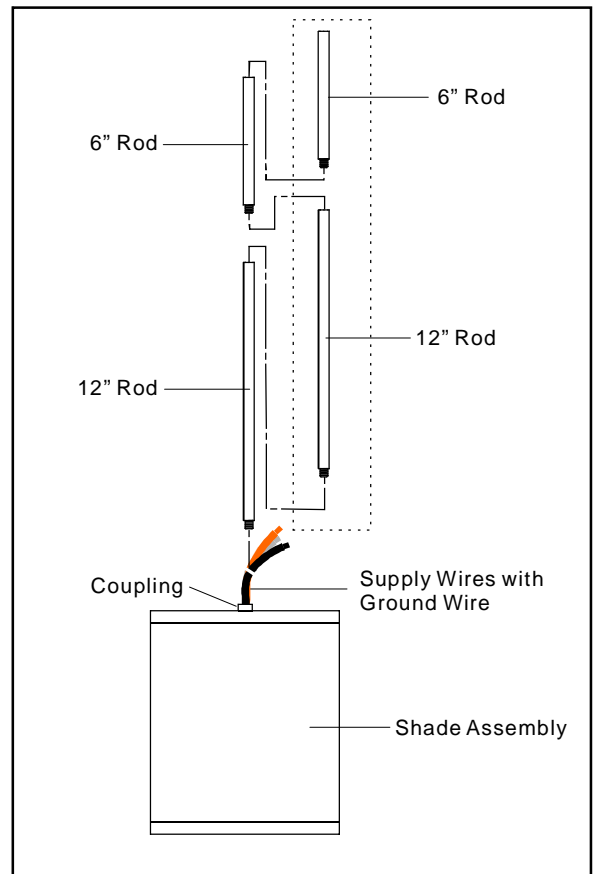
- These instructions are provided for your safety. It is very important that they are read completely before the installation of your fixture. We strongly recommend that a professional electrician install the fixture.
- Disconnect fixture from the power source before replacing the bulb(s), making sure the bulb(s) had sufficient time to cool down. DO NOT subject the lamp to any shock while lit as shattering of lamp may result.

PREPARATION

- Before beginning installation of product, make sure all parts are present. Compare parts with package contents list and diagram above. If any part is missing or damaged, do not attempt to assemble, install or operate the product. Contact customer service for replacement part.
- Estimated Assembly Time: 10 - 20 minutes
- Tools Required for Assembly (not included): Flathead screwdriver, Phillips screwdriver, pliers, electrical tape, wire cutters, safety glasses & 1, 100 Watt, Type-A Medium Base Bulb.
- Helpful Tools (not included): Wire Strippers.

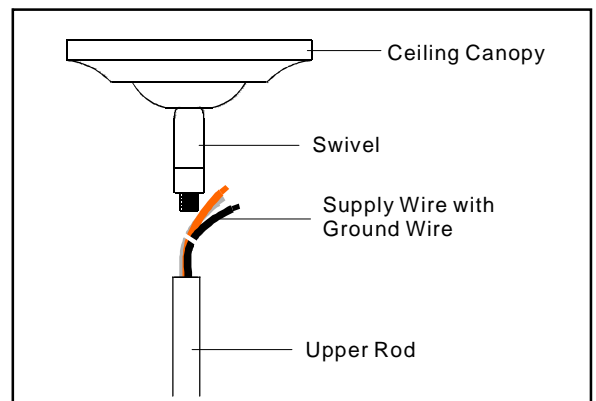
STEP 1:

- Determine the Rods to be assembled according to your desired hanging height.
- Pass the Supply Wires with Ground Wire through the chosen Rods and then thread Rods and Metal Shade Assembly together as shown. Tighten until snug.



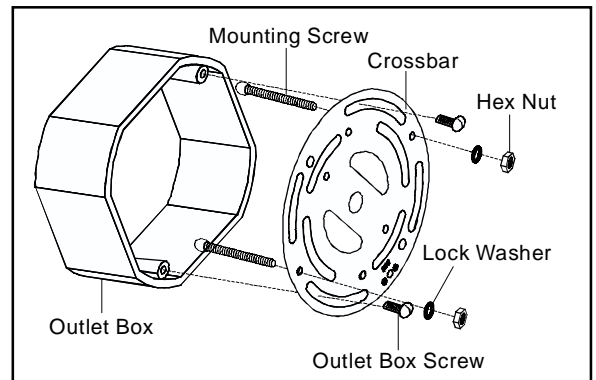
STEP 2:

- Pass the Supply Wires with Ground Wire through the Swivel and Ceiling Canopy.
- Thread the Swivel onto the top end of the Upper Rod and hand tighten until snug.



STEP 3:

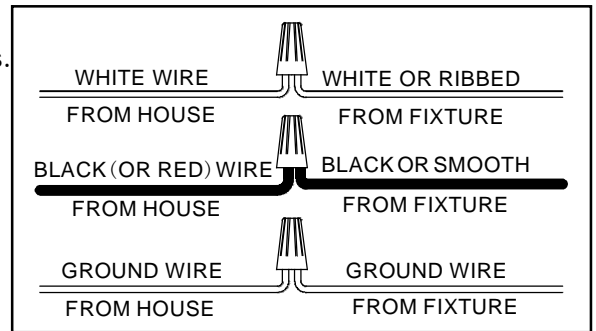
- Screw the Mounting Screws into the Crossbar, place the Lock Washers over the Mounting Screws and thread the Hex Nuts onto the Mounting Screws as shown. Secure the position of the Mounting Screws by tightening the Hex Nuts against the Crossbar.
- Secure the Crossbar to the Outlet Box with Outlet Box Screws.



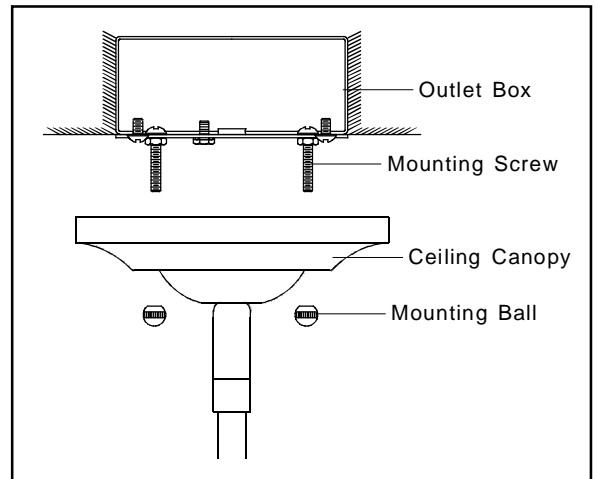
STEP 4:

* Use Wire Connectors (not supplied) to connect the wires.

- a. Connect the House Ground Wire to the Fixture Ground Wire.
- b. Connect the House White Wire to the Fixture Supply Wire (White or Ribbed Side).
- c. Connect the House Black (or Red) Wire to the Fixture Supply Wire (Black or Smooth Side).
- d. Wrap each connection with approved electrical tape and carefully stuff all of the connected wires into the Outlet Box.

**STEP 5:**

- a. Place the Ceiling Canopy over the Mounting Screws and thread Mounting Balls onto the Mounting Screws to secure it. Hand tighten until snug.

**STEP 6:**

- a. Install the correct Bulb referring to fixture markings and/or labels for maximum wattage.

Your installation is completed now. Restore electricity. Retain this sheet for future reference.