

FIGURE 1:

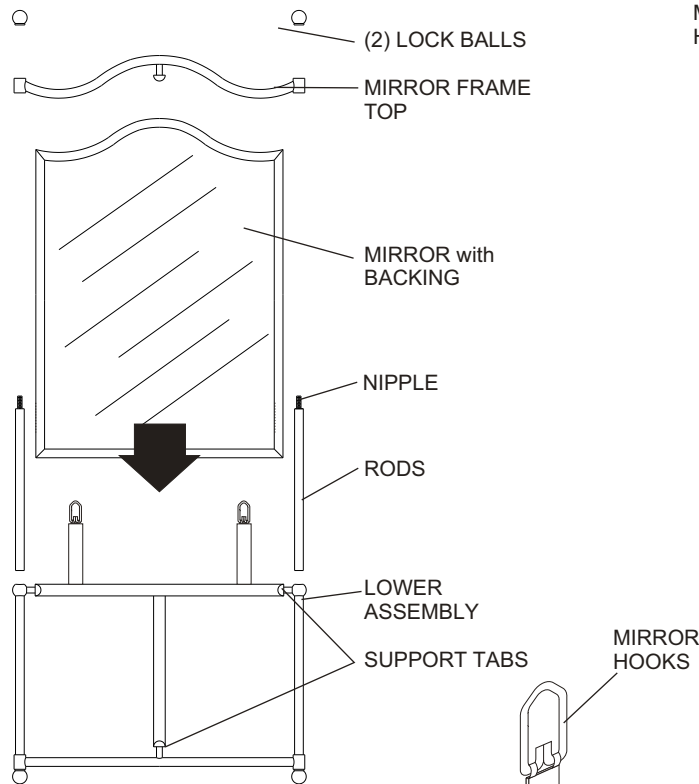


FIGURE 2:

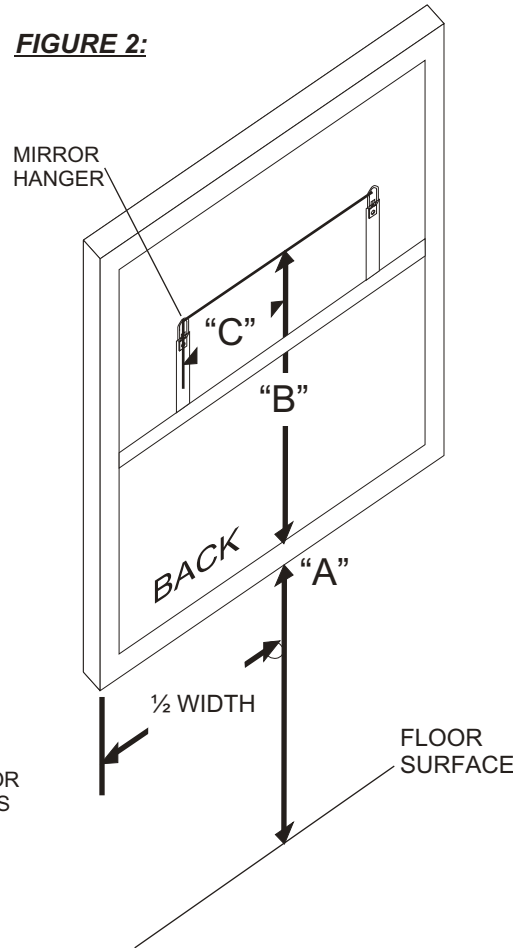
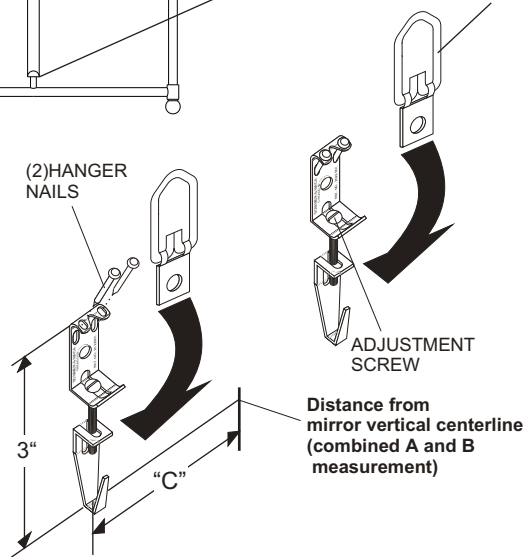


FIGURE 3:



TOOLS REQUIRED:

- HAMMER
- REGULAR SCREWDRIVER
- TAPE MEASURE
- LEVEL

ASSEMBLY / INSTALLATION INSTRUCTIONS:

Carefully unpack MIRROR from carton and refer to illustration FIGURE 1. for parts identification. Note all illustrations are generic for graphic clarity. Actual shape depends on style purchased.

1. Locate the RODS and thread bottoms into the top ends of the LOWER ASSEMBLY. Hand tighten until snug. With the help of another person, carefully pass the MIRROR with BACKING through the SUPPORT TABS of the mirror frame. Locate the FRAME TOP and pass ends over the tops of (2) NIPPLES. Locate the (2) LOCK BALLS and thread onto the tops of NIPPLES. Hand tighten LOCK BALLS until snug to secure MIRROR with BACKING into frame.
2. (Refer to FIGURE 2) Lift and position where MIRROR will reside on wall surface and with a tape measure, mark distance from floor to the bottom edge of frame with a pencil. Mark should be located at a point representing $\frac{1}{2}$ of mirror width. (MARK "A") **(Please note Quozel recommends (2) people for this step)**
3. Place the MIRROR on flat surface with back facing you. Measure the distance from the bottom center edge to the top center of the (2) MIRROR HOOKS (Distance "B" FIGURE 2). With tape measure, add this distance to MARK "A" on wall surface and mark with pencil. This represents the MIRROR VERTICAL CENTERLINE.
4. Measure the 8" inches on both sides of the top of MIRROR VERTICAL CENTER LINE (Distance "C" FIGURE 2).
5. Measure 3" up from end of each "C" distance marks and mark with pencil. These marks are locators for the (2) MIRROR HANGERS. Use of a level is advised to ensure marks are straight.
6. (Refer to FIGURE 3) Locate (1) MIRROR HANGER and align the top center with (1) 3" locator mark. Secure to wall surface with (2) HANGER NAILS. Repeat process for remaining WALL HANGER. **Please note the MIRROR HANGERS are fully adjustable allowing for easy mirror leveling.**
7. With MIRROR HANGERS properly installed, be sure to make sure that the (2) BRACKET CATCHES are approximately equal in length from the top of MIRROR HANGERS. Adjust overall length with ADJUSTMENT SCREW.
8. With the help of another person, position the back of MIRROR over (2) MIRROR HANGERS so that the (2) CATHCES engage the (2) MIRROR HOOKS on mirror back.
9. If needed, adjust mirror for straightness by eye or use level. Make corrections using ADJUSTMENT SCREWS on MIRROR HANGERS.
10. Clean glass with household glass cleaner. Retain this sheet for future reference.