

**QUOIZEL**  
6 CORPORATE PARKWAY  
GOOSE CREEK, SC. 29445  
www. quoizel. com

Quoizel, Inc.  
6 Corporate Parkway  
Goose Creek, SC  
29445

Customer Service  
Phone 631.273.2700  
Fax 631.231.7102  
www. quoizel. com

## Assembly Instruction Sheet #IS-ADS1615DC For Style ADS1615DC

**Tools Required:** Flathead screwdriver, Phillips screwdriver, pliers, wire cutters, wire strippers, electrical tape, safety glasses.

**Bulb Recommended:** (2) Medium Base 60W Maximum

**Estimated Assembly Time:** 20-30 minutes

**Preparation:** Identify and inspect all parts before beginning installation. Check package content list and diagrams below to be sure all parts are present. If any parts are missing or damaged, do not attempt to assemble, install, or operate the fixture. Contact customer service for replacement parts.



### Warnings and Cautions

Turn off electricity at circuit breaker or main fuse box before installation. Consult a licensed electrician if in doubt.

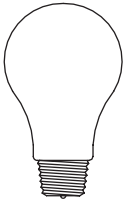
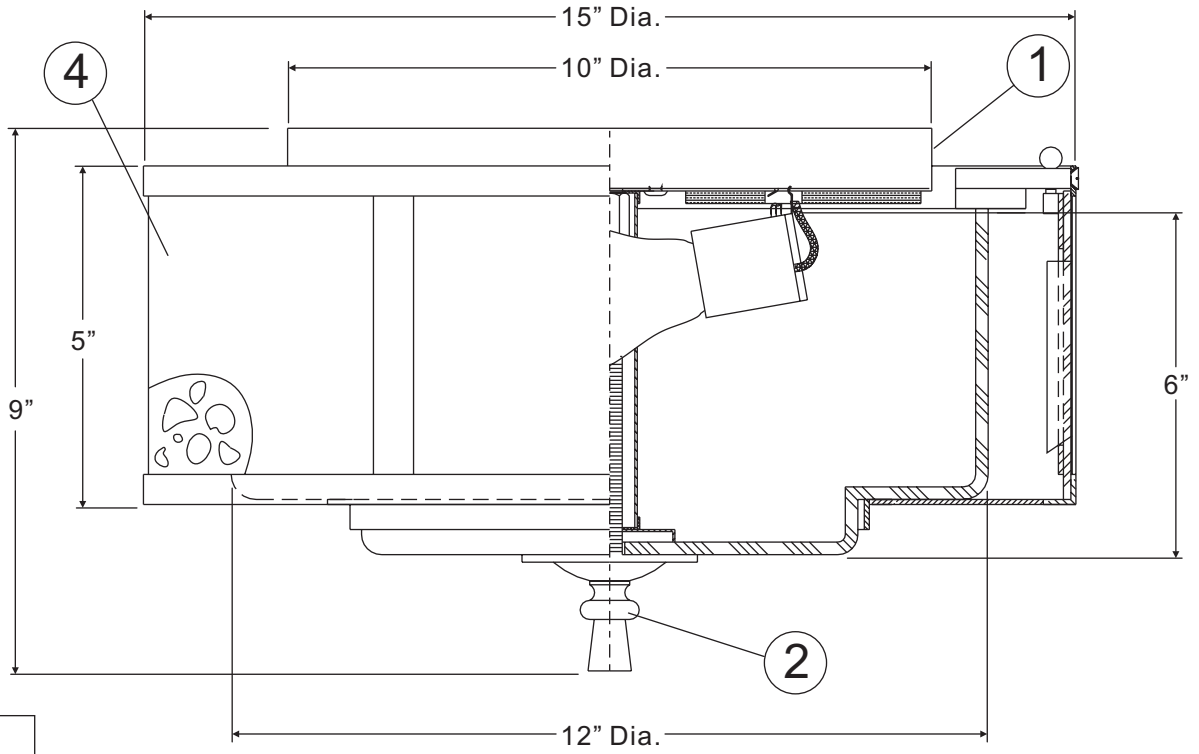
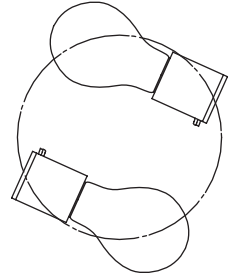
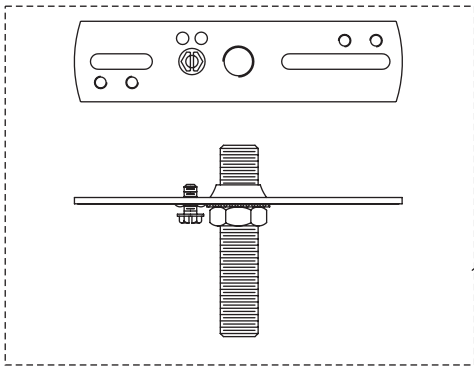
These instructions are provided for your safety. It is very important you read them completely before installing the fixture. We strongly recommend that a licensed, professional electrician perform the installation.

Disconnect fixture from power source before replacing bulbs. Make sure bulbs are given sufficient time to cool before removal. Do not subject glass parts to any shock while in operation or shattering may result.

**Thank you for purchasing a Quoizel product.**  
**Need assistance with parts or assembly? Call Quoizel customer service at 1-631-273-2700**  
**or visit us on-line at [www. quoizel. com](http://www. quoizel. com)**

ADS1615DC

FINISH: DARK CHERRY



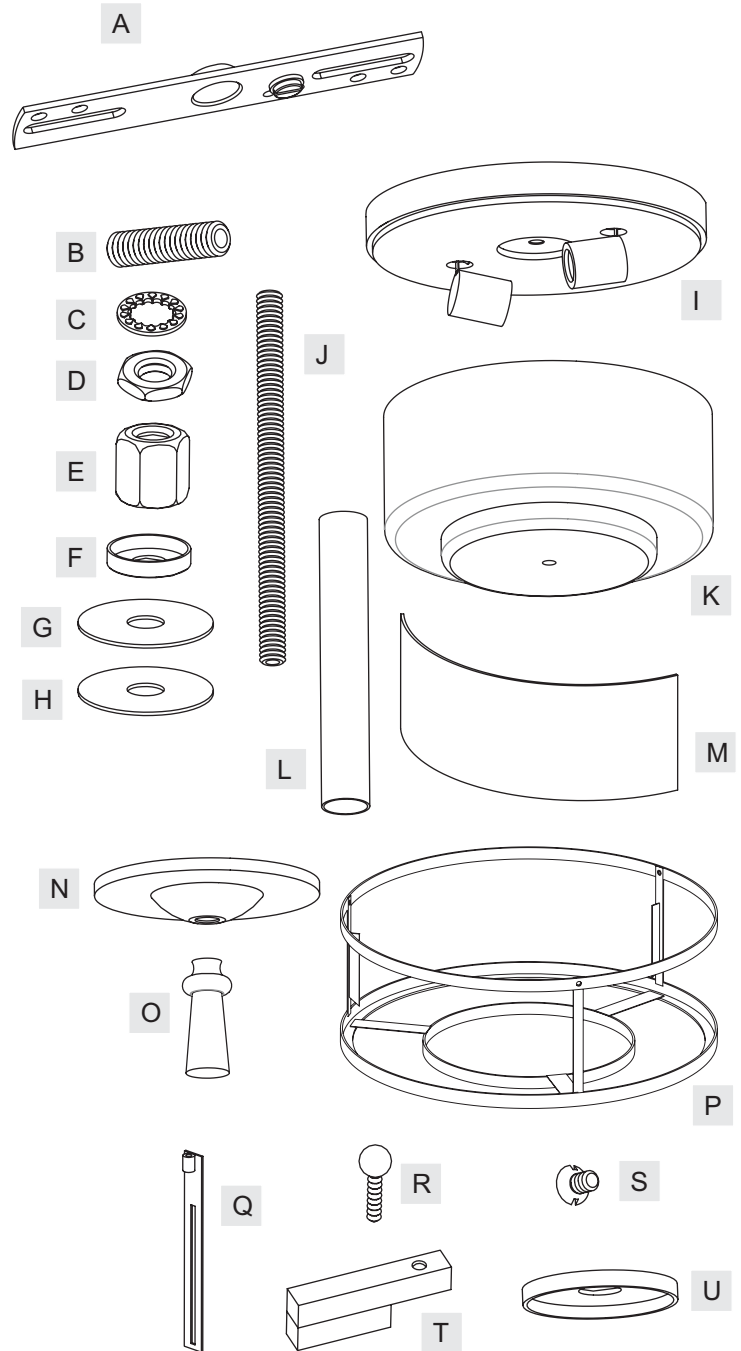
(2)60W medium base bulbs (not Supplied)

NOTE: ALL DIMENSIONS ARE ROUNDED UP TO THE NEAREST 1/2"

NO.	PART NUMBER	REPLACEMENT PART DESCRIPTION	REQ.
1	11615DCADS	BASE DARK CHERRY ADS1615DC	1
2	M2299FIDC	FINIAL DARK CHERRY 0.66"D	1
3	9513KIT	MTG HARDWARE 4"D	1
4	G2929PA	PANEL CLEAR WATER GLS/OUTSIDE	3

**Package Contents**

Part	Description	Quantity
A	Crossbar	1 pc.
B	Nipple	1 pc.
C	Lock Washer	2 pcs.
D	Hex Nut	2 pcs.
E	Hex Coupling	1 pc.
F	Check Ring	2 pcs.
G	Flat Washer	1 pc.
H	Rubber Washer	2 pcs.
I	Ceiling Canopy	1 pc.
J	Long Nipple	1 pc.
K	Shade	1 pc.
L	Spacer Tube	1 pc.
M	Glass Panel	3 pcs.
N	Cap	1 pc.
O	Finial	1 pc.
P	Cage	1 pc.
Q	Fixed Stay	3 pcs.
R	Lock Screw	3 pcs.
S	Flat Head Screw	3 pcs.
T	Lock Block	3 pcs.
U	Cover	1 pc.



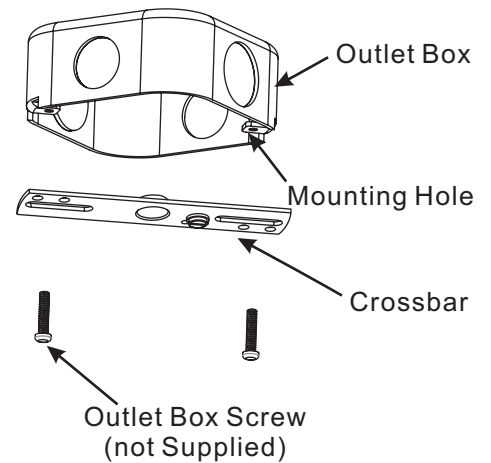
**Thank you for purchasing a Quozel product.**

**Need assistance with parts or assembly? Call Quozel customer service at 1-631-273-2700  
 or visit us on-line at [www. quozel. com](http://www. quozel. com)**

### STEP 1 – Attach Crossbar to Outlet Box

- A. Secure the Crossbar (A) to the outlet box with outlet box screws (not supplied). Tighten until snug.

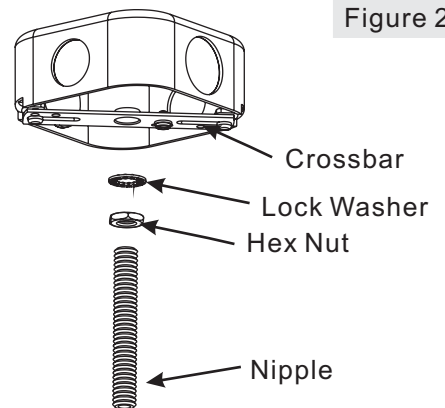
Figure 1



### STEP 2 – Attach Nipple to Crossbar

- A. Thread one Hex Nut (D) onto the top end of the Nipple (B).
- B. Place one Lock Washer (C) over the top end of the Nipple (B) and then thread the Nipple (B) into the center lock hole of the Crossbar (A).
- C. Using pliers, thread the Hex Nut (D) against the Crossbar (A) and hand tighten until snug.

Figure 2



**Thank you for purchasing a Quoizel product.**  
**Need assistance with parts or assembly? Call Quoizel customer service at 1-631-273-2700**  
**or visit us on-line at [www.quoizel.com](http://www.quoizel.com)**

### STEP 3 – Make Wire Connections

- A. Use standard wire connectors to make all wire connections. (Connectors are not included with fixture.) Strip and prepare wire ends according to instructions supplied with connectors.
- B. Connect White Supply Wire from the Outlet Box to White Wire from fixture.
- C. Connect Black (or Red) Supply Wire from the Outlet Box to Black Wire from fixture.
- D. Connect Ground Wire from the Outlet Box to Ground Wire from fixture.
- E. Twist connectors until wires are tightly joined together.
- F. Wrap each connection with approved electrical tape and carefully stuff all the connected wires into the Outlet Box.

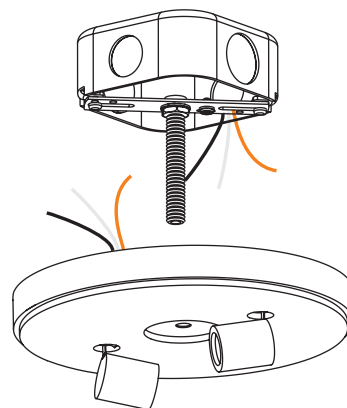


Figure 3

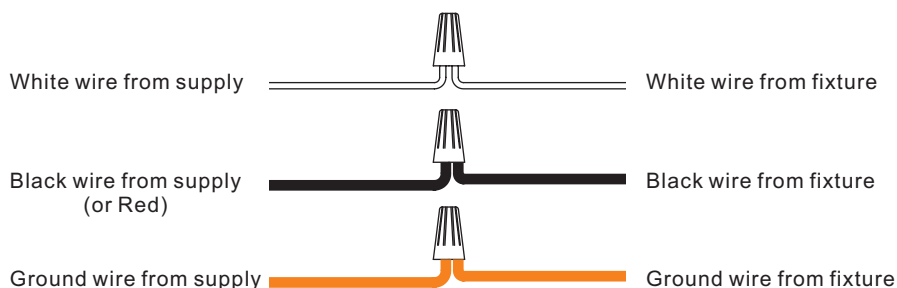
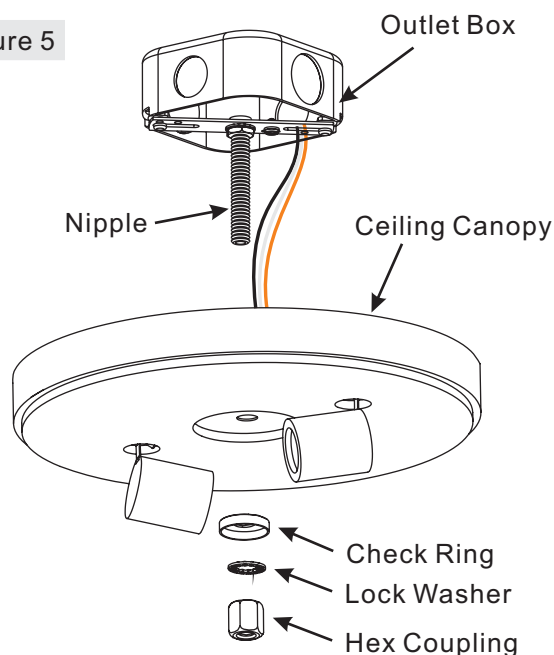


Figure 4

### STEP 4 – Attach Ceiling Canopy to Outlet Box

- A. Place the Ceiling Canopy (I) and one Check Ring (F) and one Lock Washer (C) over the Nipple (B) as shown. Secure by threading the Hex Coupling (E) onto the Nipple (B). Hand tighten until snug.

Figure 5



**Thank you for purchasing a Quoizel product.**  
**Need assistance with parts or assembly? Call Quoizel customer service at 1-631-273-2700**  
**or visit us on-line at [www. quoizel. com](http://www. quoizel. com)**

### STEP 5 – Install Bulb

- A. This fixture uses medium bulb with a standard screw base. Maximum 60 watts.
- B. Insert bulb and screw snugly into place.

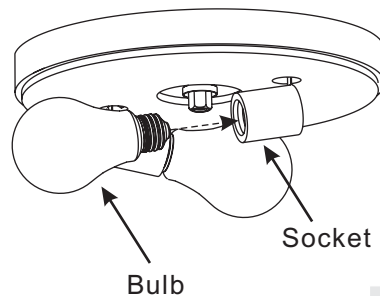


Figure 6

### STEP 6 – Assemble Glass Panels

- A. Place the Glass Panels (M) between two Bars inside of the Cage (P).
- B. (Refer to Figure 8) Locate the Slots on the Fixed Stay (Q) over the Bar inside of the Cage (P). And then pull the Fixed Stay (Q) up until the slots is caught in the beveled end of the Bar.

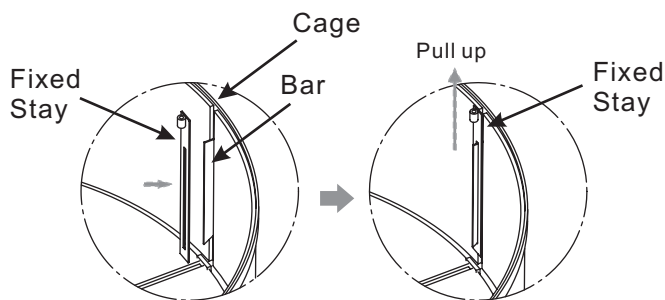


Figure 8

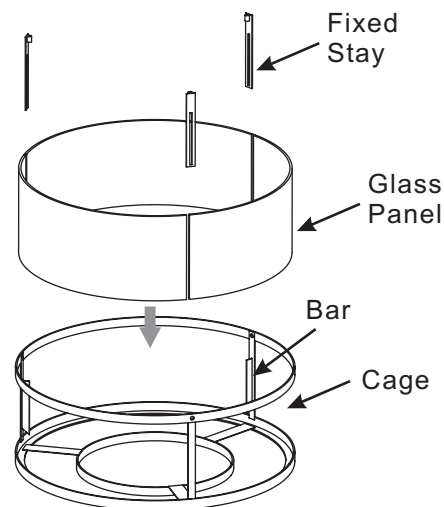
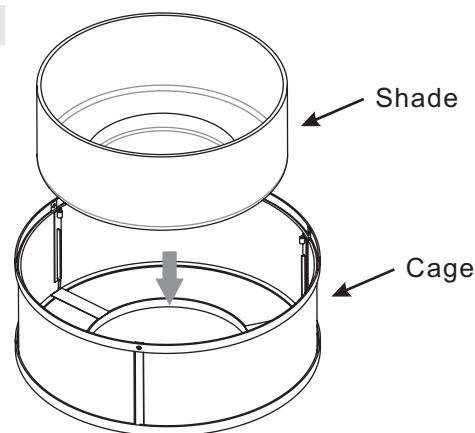


Figure 7

### STEP 7 – Attach Shade

- A. Place the Shade (K) inside of the Cage (P) as shown.

Figure 9



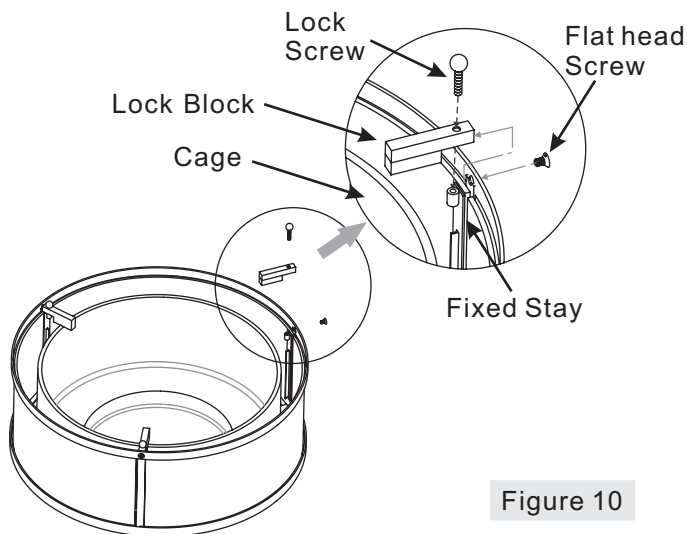
Thank you for purchasing a Quoizel product.  
Need assistance with parts or assembly? Call Quoizel customer service at 1-631-273-2700  
or visit us on-line at [www. quoizel. com](http://www. quoizel. com)

# Assembly Instruction Sheet #IS-ADS1615DC

## For Style ADS1615DC

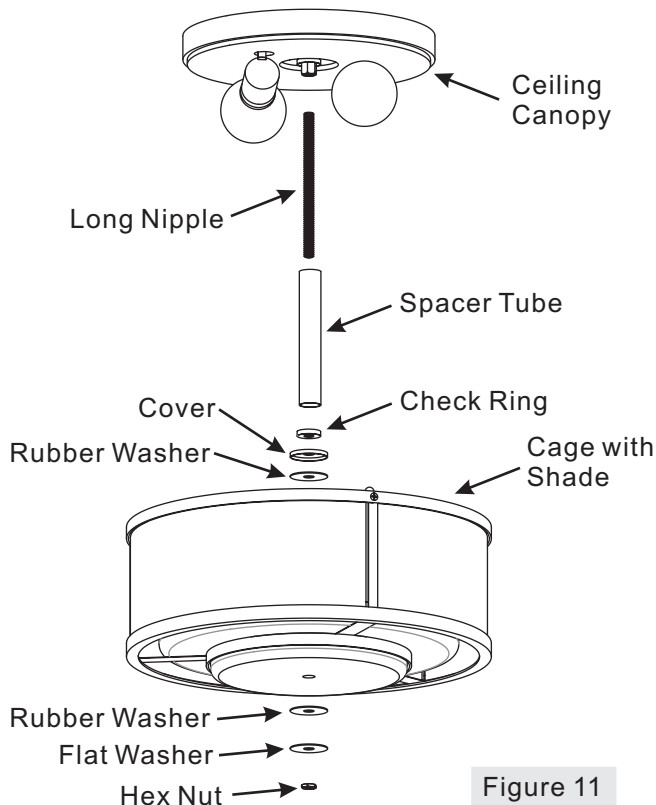
### STEP 8 – Assemble Lock Blocks

- A. Attach the Lock Block (T) to the top end of the Fixed Stay (Q). Match the hole on the Lock Block (T) to the mounting hole on the top end of the Fixed Stay (Q) and match the mounting hole on the end of the Lock Block (T) to the hole on the top edge of the Cage (P).
- B. Thread the Lock Screw (R) into the Mounting Hole on the top end of the Fixed Stay (Q) and thread the Flat Head Screw (S) into the mounting hole on the end of the Lock Block (T). DO NOT tighten them at this moment.
- C. With one hand press the Fixed Stay (Q) against the Cage, tight the Lock Screw (R) into the Fixed Stay (Q) and tight the Flat Head Screw (S) with screwdrivers.



### STEP 9 – Attach Shade to Ceiling Canopy

- A. Screw one end of the Long Nipple (J) into the Hex Coupling (E) underside of the Ceiling Canopy (I). Hand tighten until snug.
- B. Pass the following components over the end of the Long Nipple (J) in turn. The Spacer Tube (L), the Check Ring (F), the Cover (U), Rubber Washer (H), the Cage with Shade, the Rubber Washer (H) and the Flat Washer (G). Secure by threading the Hex Nut (D) onto the Long Nipple (J). Hand tighten until snug.



**Thank you for purchasing a Quoizel product.**  
**Need assistance with parts or assembly? Call Quoizel customer service at 1-631-273-2700**  
**or visit us on-line at [www.quoise.com](http://www.quoise.com)**

**STEP 10 – Attach Cap to Shade**

- A. Place the Cap (N) over the Long Nipple (J) and secure with the Finial (O). Hand tighten until snug.

Your lamp flush mount fixture is now assembled and ready to use. Enjoy!

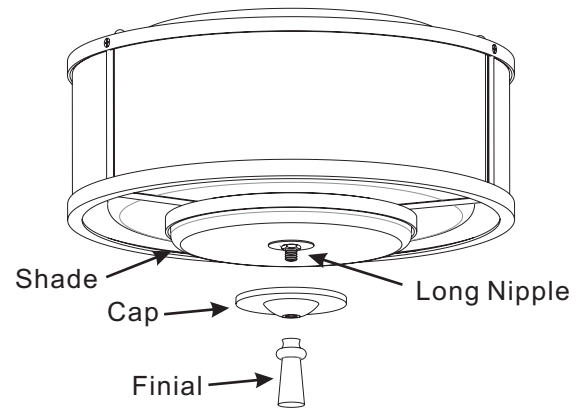


Figure 12

**Thank you for purchasing a Quoizel product.  
Need assistance with parts or assembly? Call Quoizel customer service at 1-631-273-2700  
or visit us on-line at [www. quoizel. com](http://www. quoizel. com)**