

# Assembly Instruction Sheet #IS-QF1191CRC For Style QF1191CRC

Quoizel, Inc.  
 6 Corporate Parkway  
 Goose Creek, SC  
 29445

Customer Service  
 Phone 631.273.2700  
 Fax 631.231.7102  
 www. quozel. com

**Tools Required:** Flathead screwdriver, Phillips screwdriver, pliers, wire cutters, wire strippers, electrical tape, safety glasses.

**Bulb Recommended:** (4) Medium Base 60W Maximum

**Estimated Assembly Time:** 20-30 minutes

**Preparation:** Identify and inspect all parts before beginning installation. Check package content list and diagrams below to be sure all parts are present. If any parts are missing or damaged, do not attempt to assemble, install, or operate the fixture. Contact customer service for replacement parts.



## Warnings and Cautions

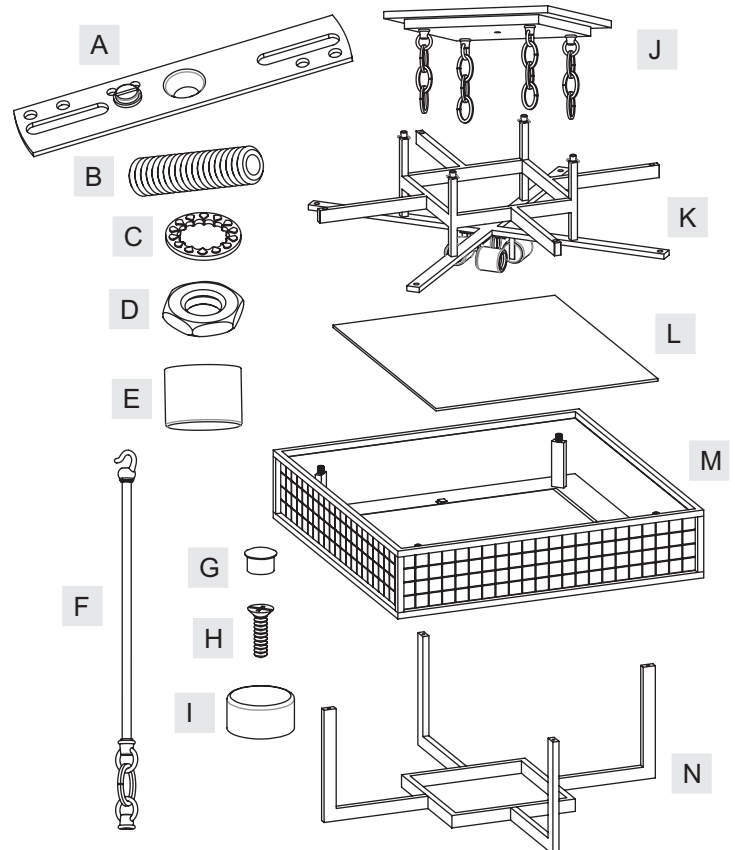
Turn off electricity at circuit breaker or main fuse box before installation. Consult a licensed electrician if in doubt.

These instructions are provided for your safety. It is very important you read them completely before installing the fixture. We strongly recommend that a licensed, professional electrician perform the installation.

Disconnect fixture from power source before replacing bulbs. Make sure bulbs are given sufficient time to cool before removal. Do not subject glass parts to any shock while in operation or shattering may result.

## Package Contents

Part	Description	Quantity
A	Crossbar	1 pc.
B	Nipple	1 pc.
C	Lock Washer	2 pcs.
D	Hex Nut	2 pcs.
E	Knob	1 pc.
F	Support Rod	4 pcs.
G	Stopple	4 pcs.
H	Lock Screw	4 pcs.
I	Small Knob	4 pcs.
J	Ceiling Canopy	1 pc.
K	Socket Assembly	1 pc.
L	Diffuser	1 pc.
M	Shade Assembly	1 pc.
N	Shade Holder	1 pc.

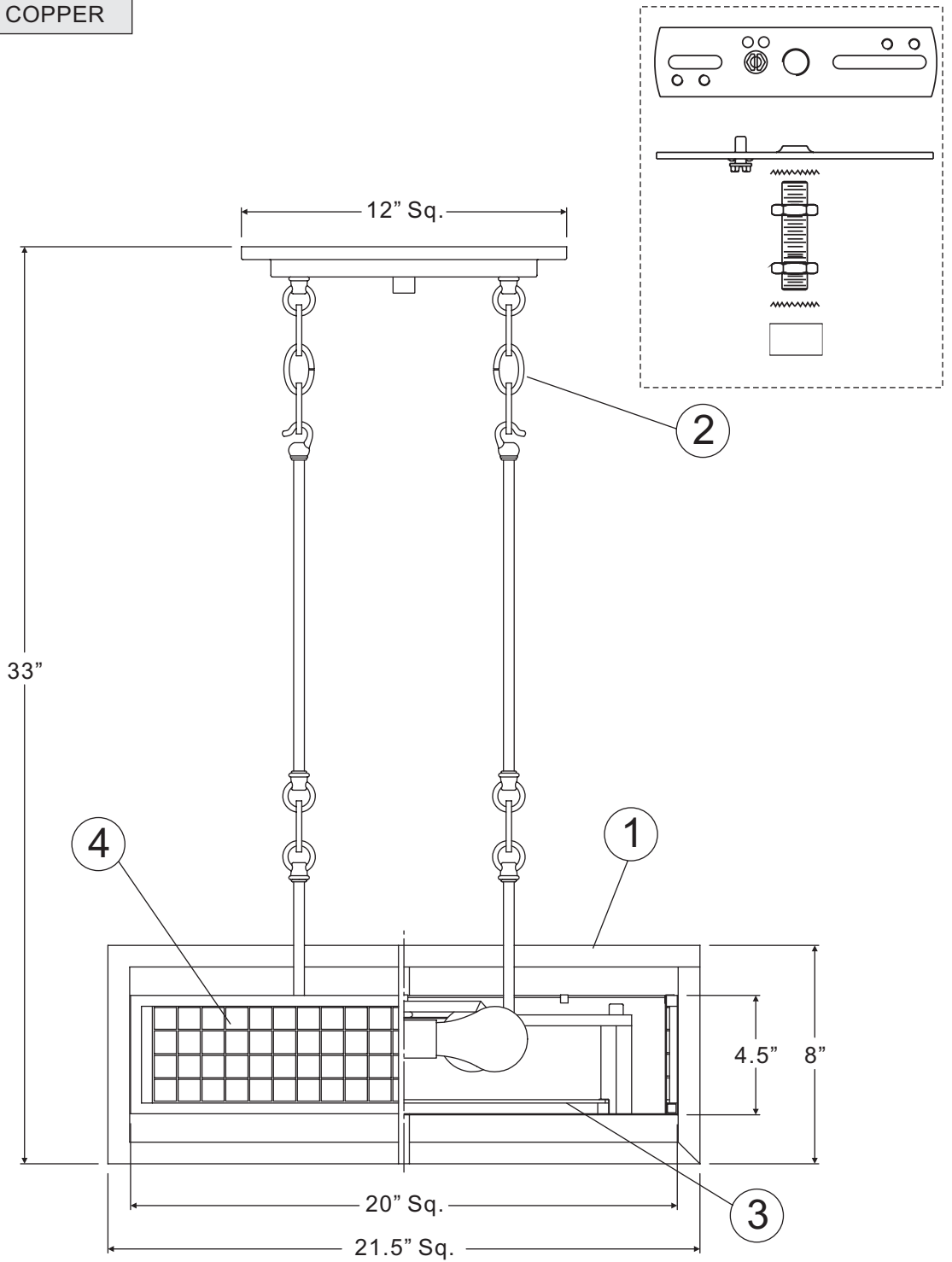


**Thank you for purchasing a Quoizel product.**

**Need assistance with parts or assembly? Call Quoizel customer service at 1-631-273-2700  
 or visit us on-line at [www. quozel. com](http://www. quozel. com)**

QF1191CRC

FINISH: RENAISSANCE COPPER



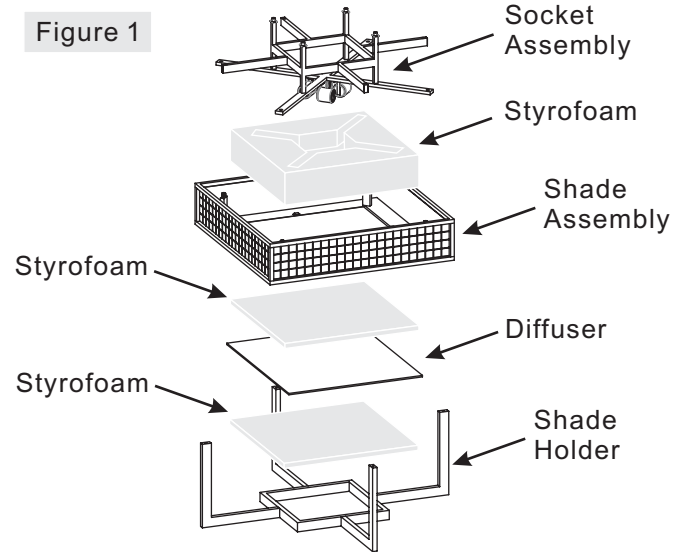
(4) 60W Medium Base Bulbs  
(Not Supplied)

NOTE: ALL DIMENSIONS ARE ROUNDED UP TO THE NEAREST 1/2"

NO.	PART NUMBER	REPLACEMENT PART DESCRIPTION	REQ.
1	11191CQF	BASE RENAISSANCE COPPER QF1191CRC	1
2	M2295CH	CHAIN 5MM X4'	4
3	G2925DI	DIFFUSER ETCHED PAINTED ANTIQUE	1
4	G2908SH	SHADE MOSAIC TILE 20.5" SQ	1

### STEP 1 – Remove Styrofoam

- A. Remove Styrofoam between the Socket Assembly (K), the Shade Assembly (M), the Diffuser (L) and the Shade Holder (N).



### STEP 2 – Attach Diffuser into Shade Assembly

- A. Place the Diffuser (L) into the bottom center of the Shade Assembly and secure with Tabs.

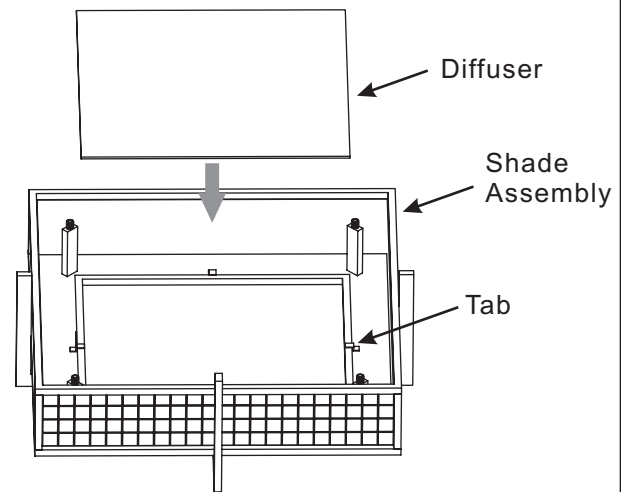


Figure 2

Thank you for purchasing a Quozel product.

Need assistance with parts or assembly? Call Quozel customer service at 1-631-273-2700  
or visit us on-line at [www. quozel. com](http://www. quozel. com)

**STEP 3 – Attach Socket Assembly, Shade Assembly together**

- A. Attach the Cross Iron at the Socket Assembly (K) to Stay Tubes inside of the Shade Assembly (M). Pass holes on the Cross Iron over the Bolts on the top of Stay Tubes. Secure by threading Small Knobs (I) onto the Bolts. Hand tighten until snug.

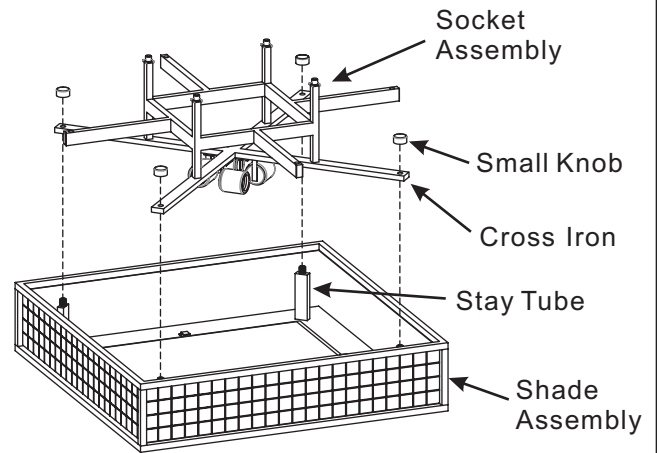


Figure 3

**STEP 4 – Attach Shade Holder**

- A. Place the Shade Assembly (M) inside of the Shade Holder (N). Attach the top ends of the Shade Holder (N) to the Bars at the Socket Assembly (K). By using screwdrivers, thread Lock Screws (H) into the top ends of the Shade Holder (N) to secure them. Hand tighten until snug.
- B. Insert the Stopples (G) into the holes on the Bars.

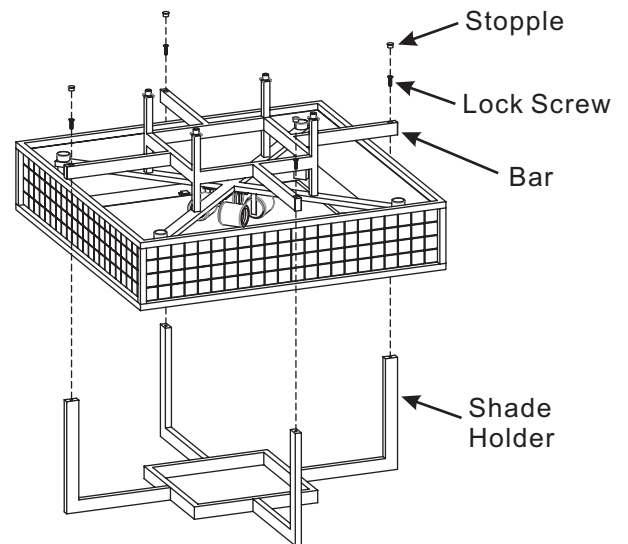


Figure 4

**Thank you for purchasing a Quozel product.  
Need assistance with parts or assembly? Call Quozel customer service at 1-631-273-2700  
or visit us on-line at [www. quozel. com](http://www. quozel. com)**

### STEP 5 – Attach Support Rods

- A. Thread the Small Loops at Support Rods (F) onto the nipples on the top end of the Socket Assembly (K). Hand tighten until snug.
- B. Attach the Hooks at Support Rods (F) to Chains underside of the Ceiling Canopy (J).

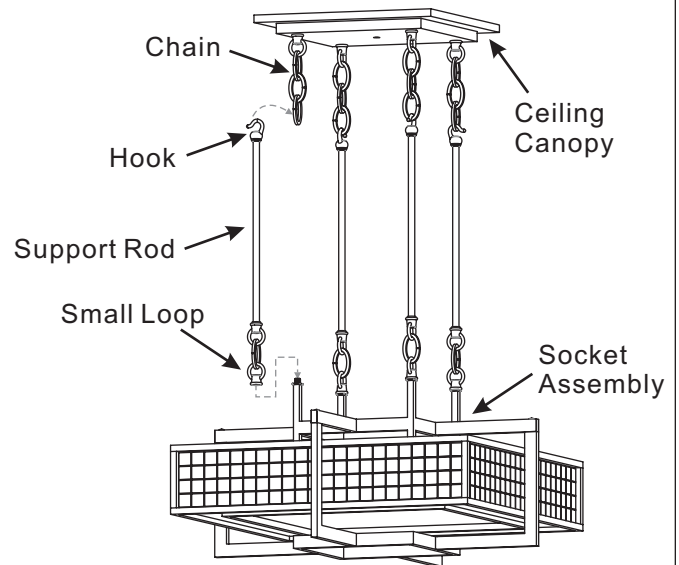


Figure 5

### STEP 6 – Attach Crossbar to Outlet Box

- A. Secure the Crossbar (A) to the outlet box with outlet box screws (not supplied). Tighten until snug.

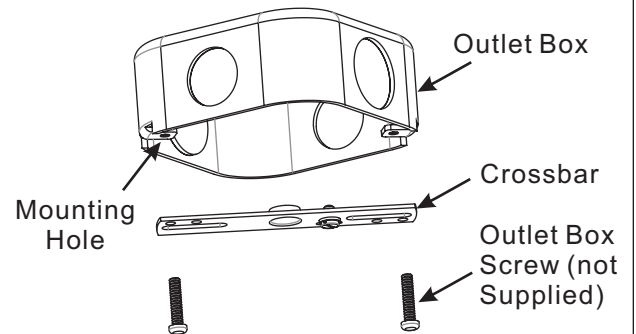


Figure 6

### STEP 7 – Attach Nipple to Crossbar

- A. Thread one Hex Nut (D) onto the top end of the Nipple (B).
- B. Place one Lock Washer (C) over the top end of the Nipple (B) and then thread the Nipple (B) into the center lock hole of the Crossbar (A).
- C. Using pliers, thread the hex Nut (D) against the Crossbar (A) and hand tighten until snug.

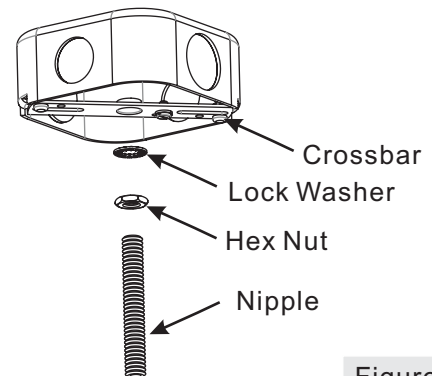


Figure 7

**Thank you for purchasing a Quoizel product.**  
**Need assistance with parts or assembly? Call Quoizel customer service at 1-631-273-2700**  
**or visit us on-line at [www. quozel. com](http://www. quozel. com)**

**STEP 8 – Make Wire Connections**

- A. Use standard wire connectors to make all wire connections. (Connectors are not included with fixture.) Strip and prepare wire ends according to instructions supplied with connectors.
- B. Connect White Supply Wire from the Outlet Box to White Wire from fixture.
- C. Connect Black (or Red) Supply Wire from the Outlet Box to Black Wire from fixture.
- D. Connect Ground Wire from the Outlet Box to Ground Wire from fixture.
- E. Twist connectors until wires are tightly joined together.
- F. Wrap each connection with approved electrical tape and carefully stuff all the connected wires into the Outlet Box.

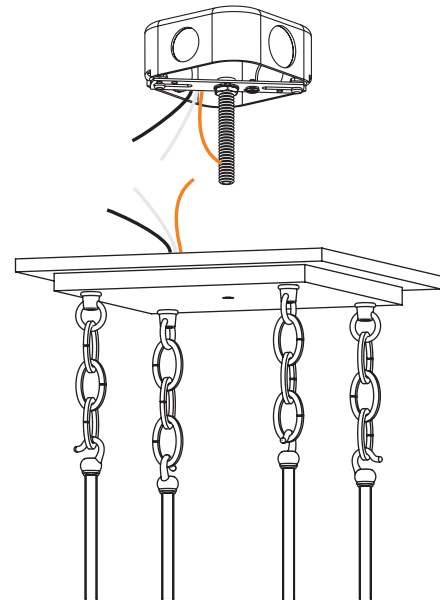


Figure 8

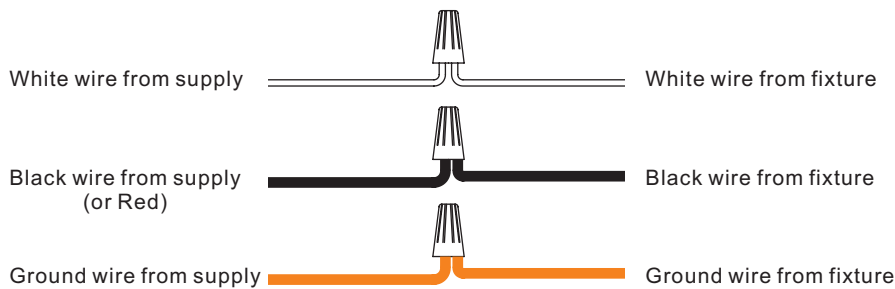


Figure 9

**STEP 9 – Attach Lanyard**

- A. The purpose of the lanyard is to provide the installer a means to support the fixture from the junction box while connecting the electrical wires. This enables the fixture to hang from the junction box and your hands are free to make the wire connections.
- B. Turn the Button Stop so it may be inserted into the crossbar slot. Make sure the Button Stop is completely inside the crossbar. Slowly release the fixture to make sure it is supported by the Button Stop. Proceed to the wiring steps. Once you are complete with the wiring there is nothing to do with Lanyard. The Lanyard will push into the junction box when the fixture is placed for final mounting.

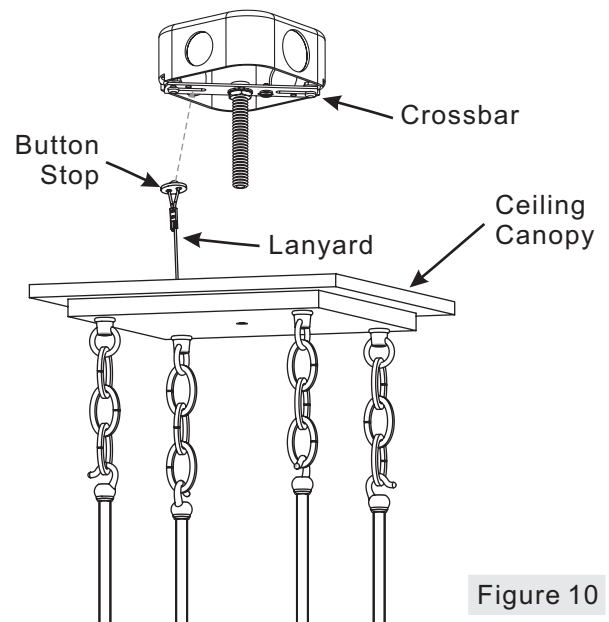
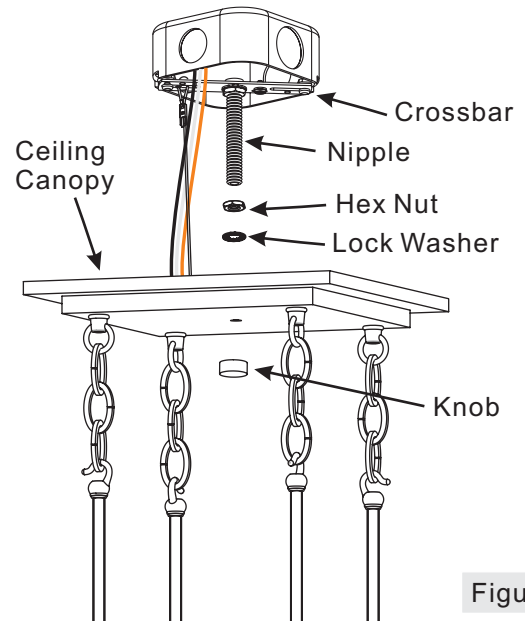


Figure 10

**Thank you for purchasing a Quoizel product.**  
**Need assistance with parts or assembly? Call Quoizel customer service at 1-631-273-2700**  
**or visit us on-line at [www. quozel. com](http://www. quozel. com)**

### STEP 10 – Install Ceiling Canopy

- A. Thread another Hex Nut (D) onto the end of the Nipple (B). Place the Lock Washer (C) over the end of the Nipple (B) and then pass the Ceiling Canopy (J) over the end of the Nipple (B). Secure by threading the Knob (E) onto the Nipple (B). Hand tighten until snug.



### STEP 11 – Install Bulb

- A. This fixture uses medium bulb with a standard screw base. Maximum 60 watts.  
B. Insert bulb and screw snugly into place.

Your fixture pendant lamp is now assembled and ready to use. Enjoy!

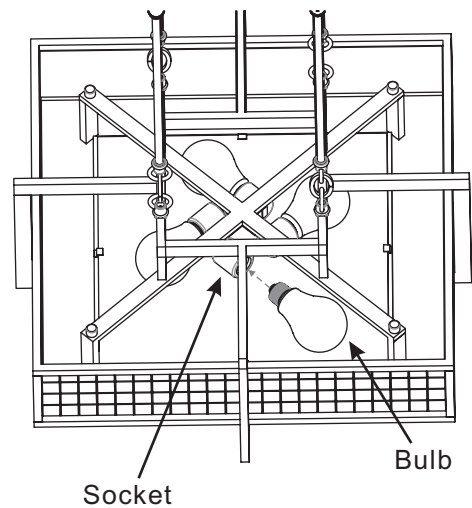


Figure 12

**Thank you for purchasing a Quoizel product.**  
**Need assistance with parts or assembly? Call Quoizel customer service at 1-631-273-2700**  
**or visit us on-line at [www. quozel. com](http://www. quozel. com)**