

**Q U O I Z E L**  
6 CORPORATE PARKWAY  
GOOSE CREEK, SC. 29445  
www. quoizel. com

Quoizel, Inc.  
6 Corporate Parkway  
Goose Creek, SC  
29445

Customer Service  
Phone 631.273.2700  
Fax 631.231.7102  
www. quoizel. com

## Assembly Instruction Sheet #IS-UPSP5006IS For Style UPSP5006IS

**Tools Required:** Flathead screwdriver, Phillips screwdriver, pliers, wire cutters, wire strippers, electrical tape, safety glasses.

**Bulb Recommended:** (6) Medium Base 75W Maximum

**Estimated Assembly Time:** 30-45 minutes

**Preparation:** Identify and inspect all parts before beginning installation. Check package content list and diagrams below to be sure all parts are present. If any parts are missing or damaged, do not attempt to assemble, install, or operate the fixture. Contact customer service for replacement parts.



### Warnings and Cautions

Turn off electricity at circuit breaker or main fuse box before installation. Consult a licensed electrician if in doubt.

These instructions are provided for your safety. It is very important you read them completely before installing the fixture. We strongly recommend that a licensed, professional electrician perform the installation.

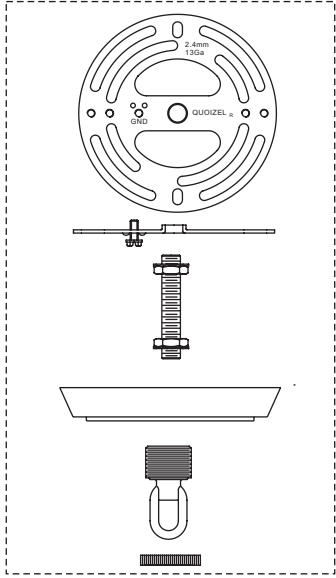
Disconnect fixture from power source before replacing bulbs. Make sure bulbs are given sufficient time to cool before removal. Do not subject glass parts to any shock while in operation or shattering may result.

**Thank you for purchasing a Quoizel product.**

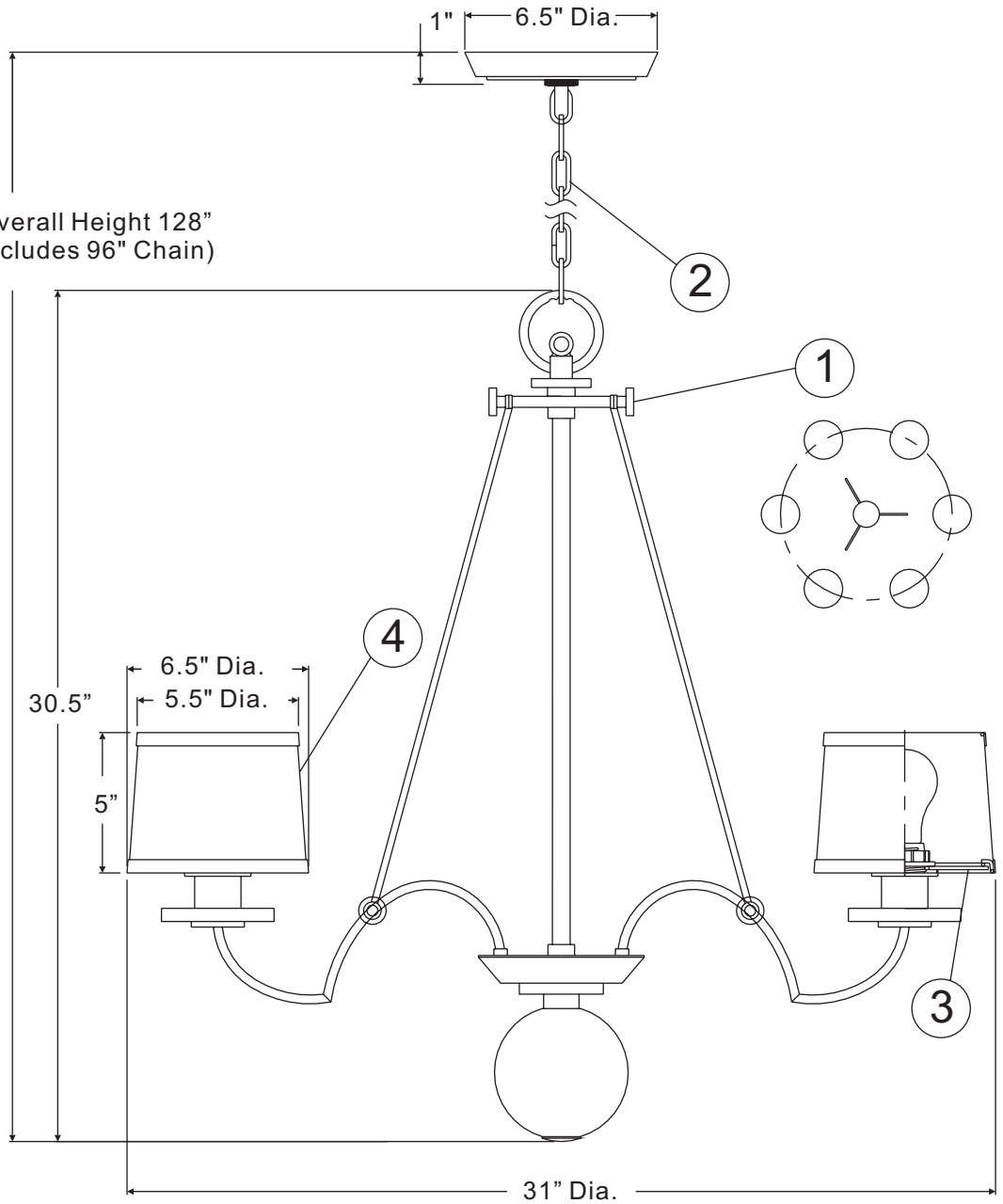
**Need assistance with parts or assembly? Call Quoizel customer service at 1-631-273-2700  
or visit us on-line at [www. quoizel. com](http://www. quoizel. com)**

UPSP5006IS

FINISH: IMPERIAL SILVER



Overall Height 128"  
(Includes 96" Chain)



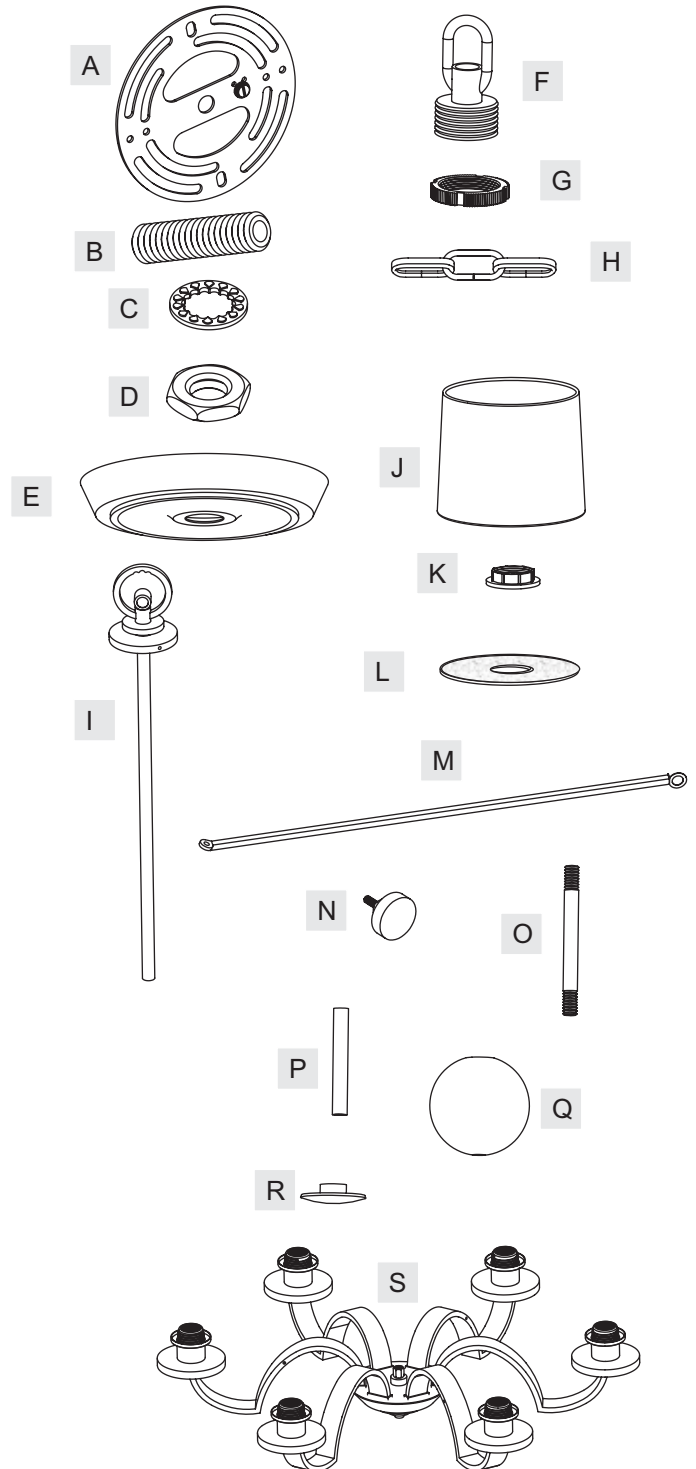
(6) 75W A19  
Medium Base Bulbs  
(Not Supplied)

NOTE: ALL DIMENSIONS ARE ROUNDED UP TO THE NEAREST 1/2"

NO.	PART NUMBER	REPLACEMENT PART DESCRIPTION	REQ.
1	15006ISUPSP	BASE UPSP5006IS	1
2	M2312CHIS	CHAIN IMPERIAL SILVER 4' x 4MM SQ.	1
3	G2952DI	DIFFUSER SANDBLASTED ONE SIDE	6
4	S1351MI	SHADE MILANO 6" X 6.5" X 5"	6

**Package Contents**

Part	Description	Quantity
A	Crossbar	1 pc.
B	Nipple	1 pc.
C	Lock Washer	2 pcs.
D	Hex Nut	2 pcs.
E	Ceiling Canopy	1 pc.
F	Canopy Chain Loop	1 pc.
G	Canopy Lock Ring	1 pc.
H	Fixture Chain	1 pc.
I	Center Column	1 pc.
J	Shade	6 pcs.
K	Socket Collar	6 pcs.
L	Diffuser	6 pcs.
M	Side Arm	6 pcs.
N	Lock Screw	9 pcs.
O	Stem	1 pc.
P	Spacer Tube	1 pc.
Q	Crystal	1 pc.
R	Finial	1 pc.
S	Fixture Assembly	1 pc.



**Thank you for purchasing a Quoizel product.**  
**Need assistance with parts or assembly? Call Quoizel customer service at 1-631-273-2700**  
**or visit us on-line at [www. quozel. com](http://www. quozel. com)**

### STEP 1 – Adjust Shade Holder

- A. Unfold support arms on Shade Holder to proper locations.

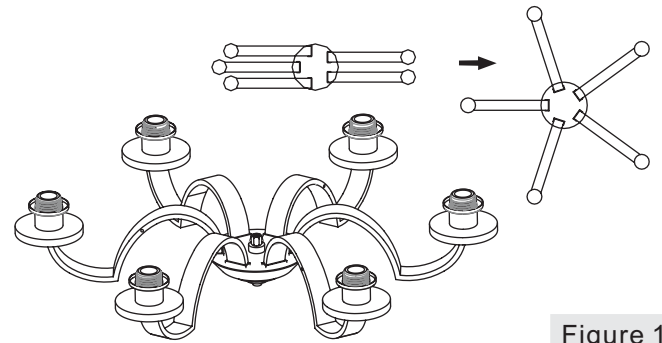


Figure 1

### STEP 2 – Attach Crystal to Socket Assembly

- A. Screw the beaded end of the stem (O) into the coupling on the bottom center of the socket assembly (S). Hand tighten until snug.
- B. Pass the Spacer Tube (P) and the Crystal (Q) over the end of the stem (O). Secure by threading the Finial (R) onto the stem (O). Hand tighten until snug.

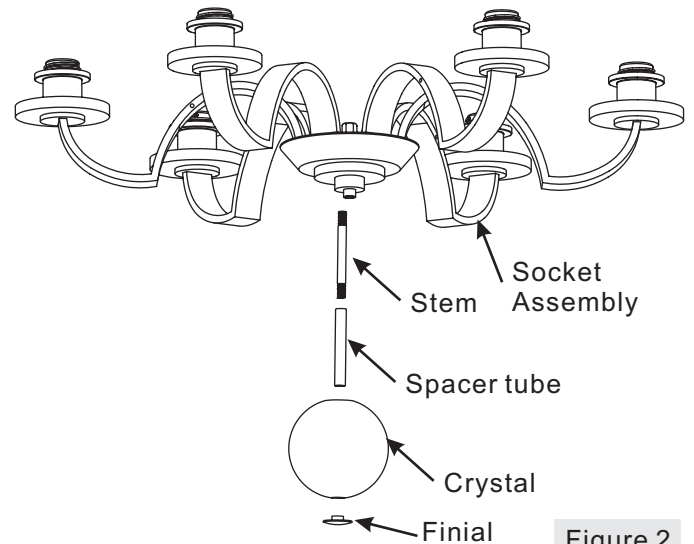


Figure 2

### STEP 3 – Attach Center Column to Socket Assembly

- A. Screw the beaded end of the Center Column (I) into the hex coupling on the bottom center of the socket assembly (S). Hand tighten until snug.

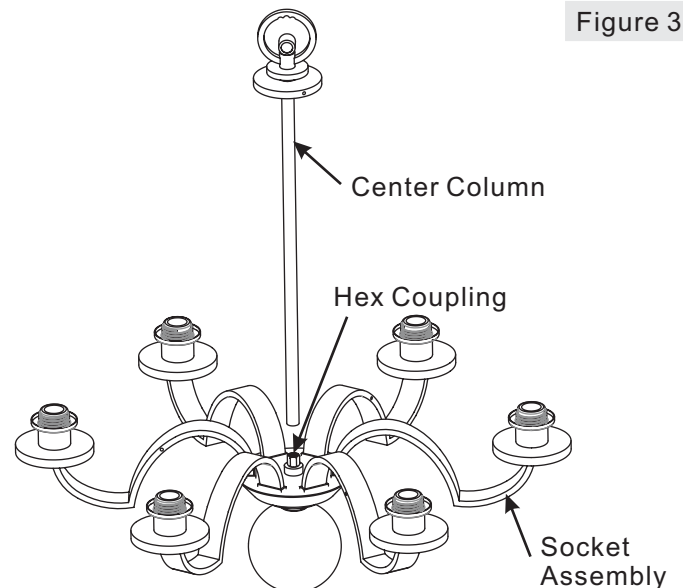


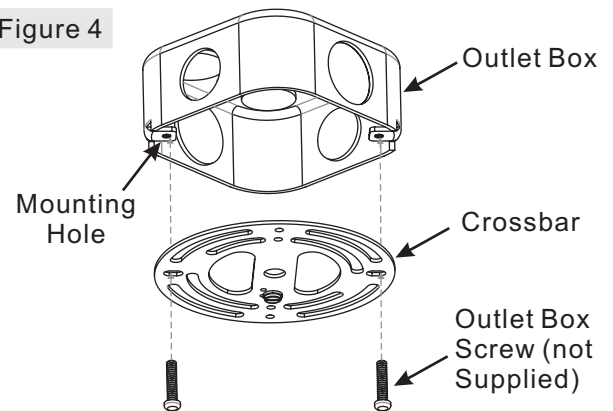
Figure 3

**Thank you for purchasing a Quoizel product.**  
**Need assistance with parts or assembly? Call Quoizel customer service at 1-631-273-2700**  
**or visit us on-line at [www. quozel. com](http://www. quozel. com)**

**STEP 4 – Attach Crossbar to Outlet Box**

- A. Secure the Crossbar (A) to the outlet box with outlet box screws (not supplied). Tighten until snug.

Figure 4



**STEP 5 – Attach Nipple to Crossbar**

- A. Thread one Hex Nut (D) onto the top end of the Nipple (B).  
B. Place one Lock Washer (C) over the top end of the Nipple (B) and then thread the Nipple (B) into the center lock hole of the Crossbar (A).  
C. Using pliers, thread the hex Nut (D) against the Crossbar (A) and hand tighten until snug.

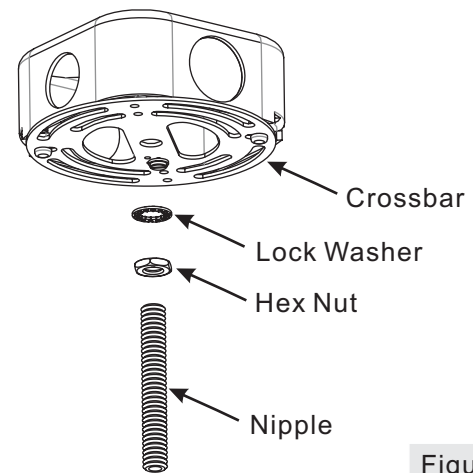


Figure 5

**STEP 6 – Attach Canopy Chain Loop to Nipple**

- A. Thread another Hex Nut (D) onto the end of the Nipple (B).  
B. Place the Lock Washer (C) over the end of the Nipple (B) and then thread the Canopy Chain Loop (F) onto the end of the Nipple (B).  
C. Using pliers, thread the Hex Nut (D) against the Canopy Chain Loop (F) and hand tighten until snug.

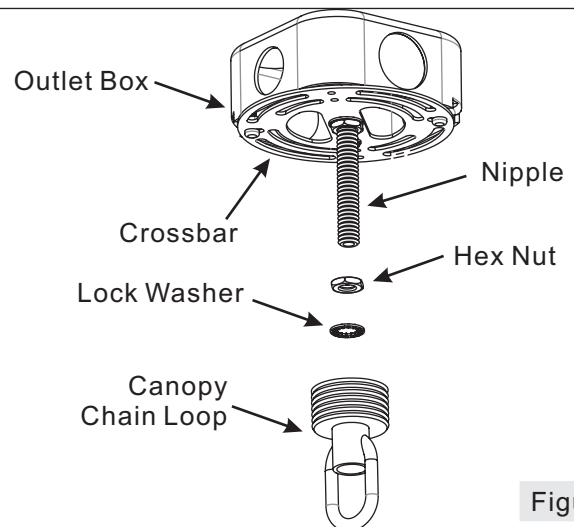
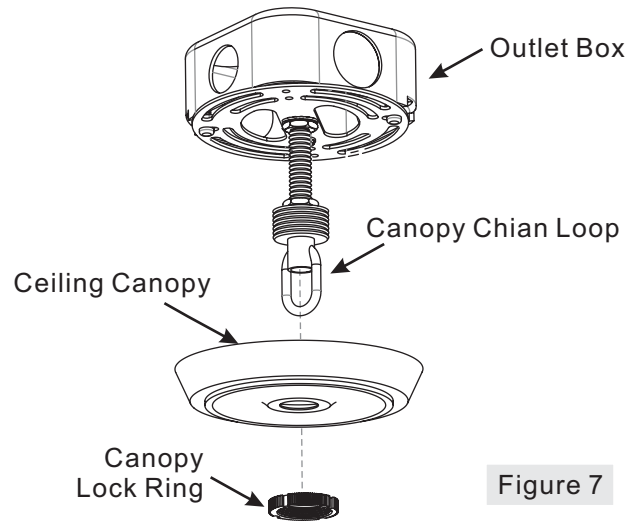


Figure 6

**Thank you for purchasing a Quoizel product.**  
**Need assistance with parts or assembly? Call Quoizel customer service at 1-631-273-2700**  
**or visit us on-line at [www. quozel. com](http://www. quozel. com)**

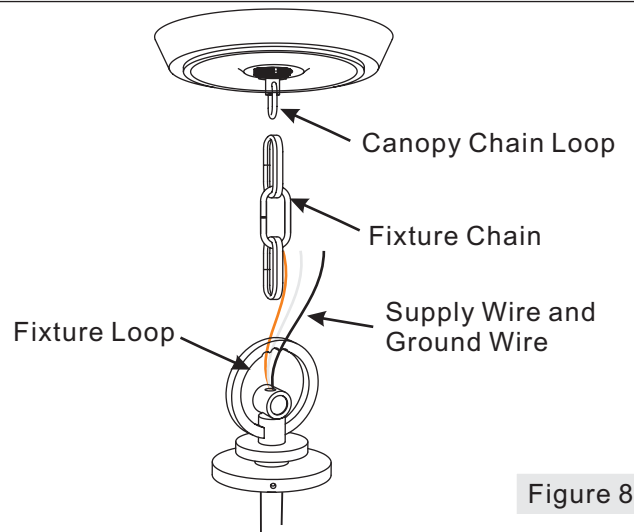
**STEP 7 – Assemble Ceiling Canopy**

- A. Push the Ceiling Canopy (E) upward over the Outlet Box. Thread the Canopy Lock Ring (G) onto the Canopy Chain Loop (F) and tighten until snug to secure the Ceiling Canopy (E).



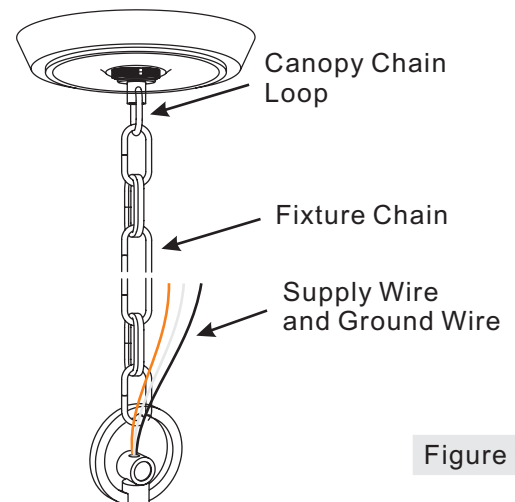
**STEP 8 – Attach Fixture Chain to Canopy Chain Loop and Fixture Loop**

- A. Adjust the Fixture Chain (H) to your desired length by removing the links if needed. You may need to use plier to open the chain links. If so, put a cloth over the chain to protect the finish from the pliers.
- B. Attach one end of the Fixture Chain (H) onto the Canopy Chain Loop (F) and then attach the other end of the Fixture Chain (H) onto the Fixture Loop (I).



**STEP 9 – Pass Supply Wires through Fixture Chain**

- A. Pull the Supply Wires and Ground Wire up through the Fixture Chain (H) alternating links. Push the wires up through the Canopy Chain Loop (F) into the outlet box.



**Thank you for purchasing a Quoizel product.**  
**Need assistance with parts or assembly? Call Quoizel customer service at 1-631-273-2700**  
**or visit us on-line at [www. quozel. com](http://www. quozel. com)**

**STEP 10 – Make Wire Connections**

- A. Un-thread the Canopy Lock Ring (G) and slide Canopy Lock Ring (G) and Ceiling Canopy (E) down the Fixture Chain (H).
- B. Push all slack fixture wire through Canopy Chain Loop (F) into Outlet Box. Trim excess fixture wire leaving a minimum of 6 inch. Hanging out of the Outlet Box.
- C. Use standard wire connectors to make all wire connections. (Connectors are not included with fixture.) Strip and prepare wire ends according to instructions supplied with connectors.
- D. Connect White Supply Wire from the Outlet Box to White Wire from fixture.
- E. Connect Black (or Red) Supply Wire from the Outlet Box to Black Wire from fixture.
- F. Connect Ground Wire from the Outlet Box to Ground Wire from fixture.
- G. Twist connectors until wires are tightly joined together.
- H. Wrap each connection with approved electrical tape and carefully stuff all the connected wires into the Outlet Box.
- G. Re-attach the Ceiling Canopy (E) as shown in Step 6.

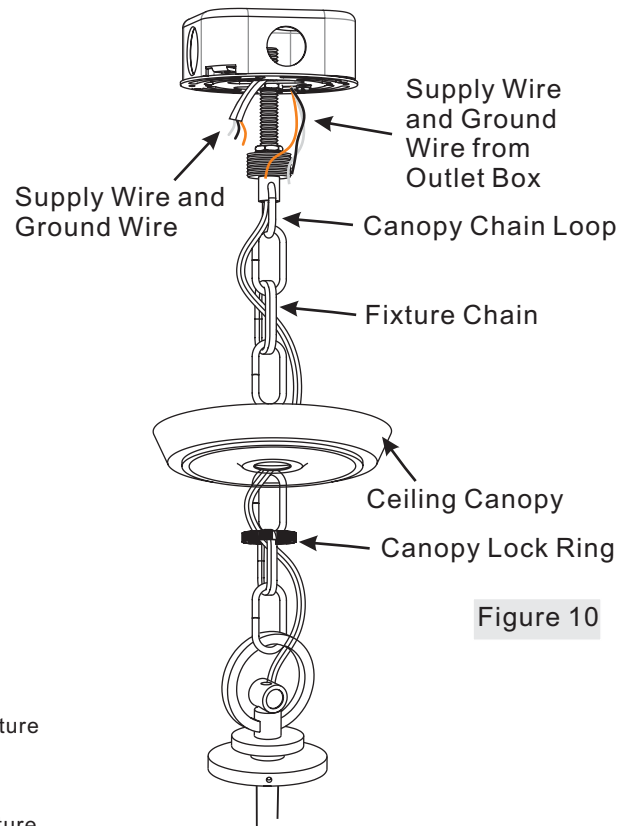


Figure 10

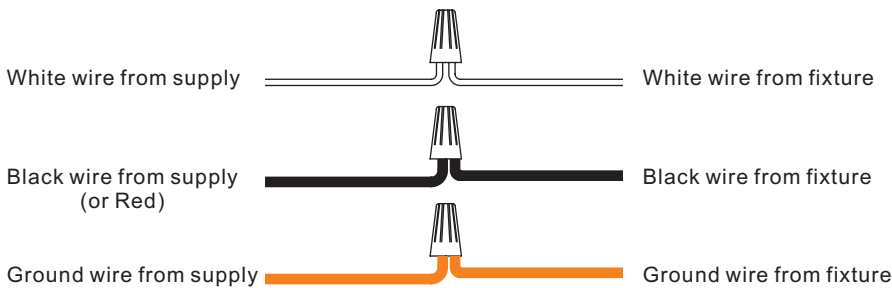


Figure 11

**STEP 11 – Assemble Side Arms**

- A. Align the holes on the ends of the Side Arms (M) to mounting holes on the side of the Support Arms as shown. Thread Lock Screws (N) into the mounting holes on the Support Arms to secure Side Arms(M).
- B. Align the hole on the top end of the Side Arm (M) to the mounting holes on the side of the Center Column (I). Thread Lock Screws (N) into the mounting holes on the side of the Center Column (I) to secure the Side Arms (M).
- C. Hand tighten all Lock Screws (N) until snug.

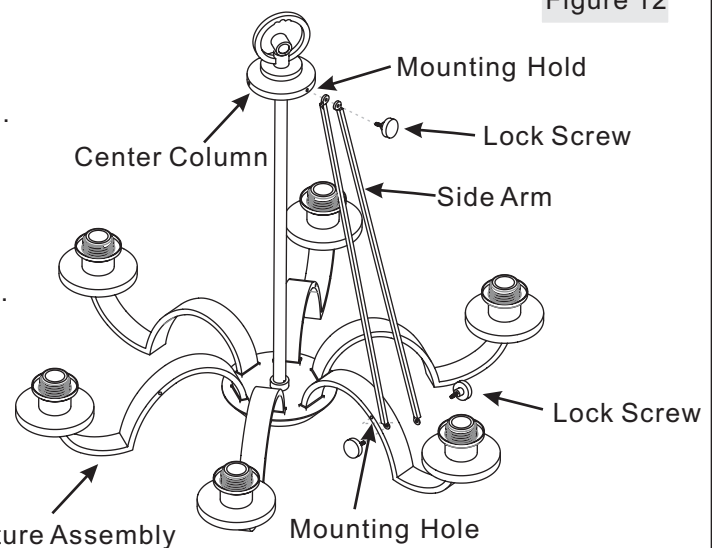


Figure 12

**Thank you for purchasing a Quoizel product.**

**Need assistance with parts or assembly? Call Quoizel customer service at 1-631-273-2700 or visit us on-line at www. quozel. com**

**STEP 12 – Attach Shade to Fixture Body**

- A. Place the Diffuser (L) over the Socket as shown.  
Thread the Socket Collar (K) onto the Socket to secure the Diffuser (L). Hand tighten until snug.
- B. Place the shade (J) over the Diffuser (L) properly.

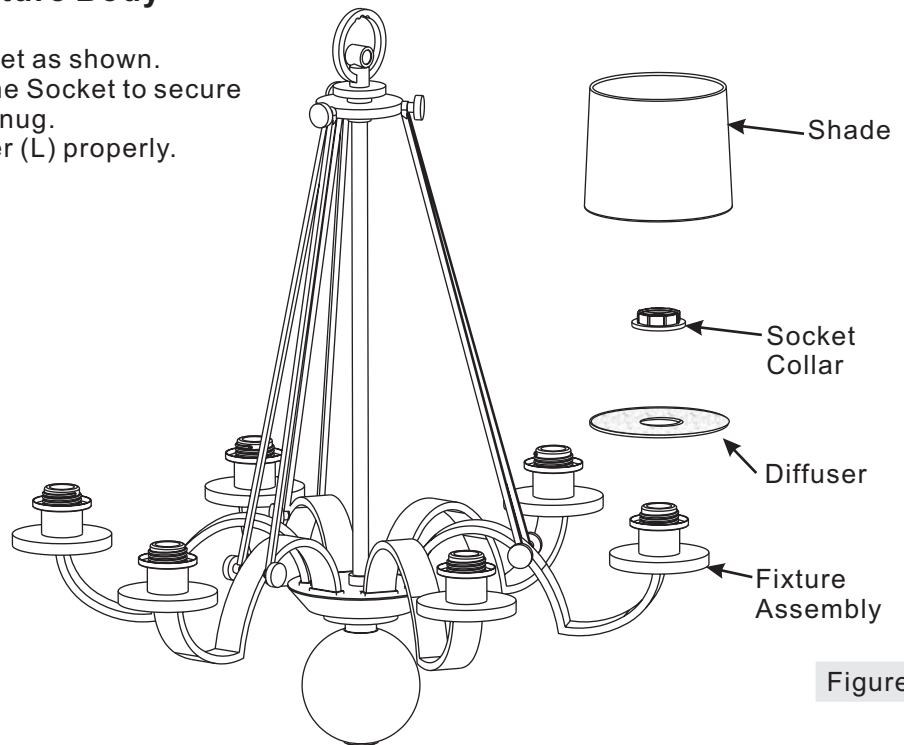


Figure 13

**STEP 13 – Install Bulb**

- A. This fixture uses standard bulb with a medium screw base. Maximum 75 watts.
- B. Insert bulb and screw snugly into place.

Your fixture pendant lamp is now assembled and ready to use. Enjoy!

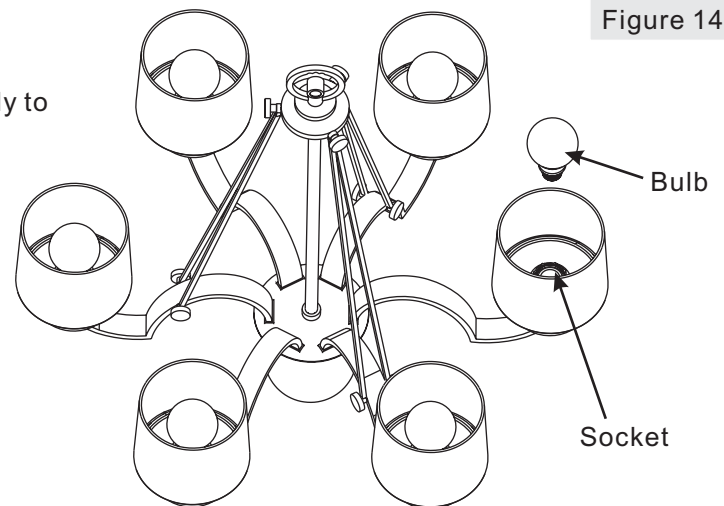


Figure 14

**Thank you for purchasing a Quoizel product.**

**Need assistance with parts or assembly? Call Quoizel customer service at 1-631-273-2700  
or visit us on-line at www. quozel. com**