

Q U O I Z E L
6 CORPORATE PARKWAY
GOOSE CREEK, SC. 29445
www. quoizel. com

Quoizel, Inc.
6 Corporate Parkway
Goose Creek, SC
29445

Customer Service
Phone 631.273.2700
Fax 631.231.7102
www. quoizel. com

Assembly Instruction Sheet #IS-TFLU433K For Style TFLU433K

Tools Required: Flathead screwdriver, Phillips screwdriver, pliers, wire cutters, wire strippers, electrical tape, safety glasses.

Bulb Recommended: (4) Medium Base 100W Maximum

Estimated Assembly Time: 30-45 minutes

Preparation: Identify and inspect all parts before beginning installation. Check package content list and diagrams below to be sure all parts are present. If any parts are missing or damaged, do not attempt to assemble, install, or operate the fixture. Contact customer service for replacement parts.



Warnings and Cautions

Turn off electricity at circuit breaker or main fuse box before installation. Consult a licensed electrician if in doubt.

These instructions are provided for your safety. It is very important you read them completely before installing the fixture. We strongly recommend that a licensed, professional electrician perform the installation.

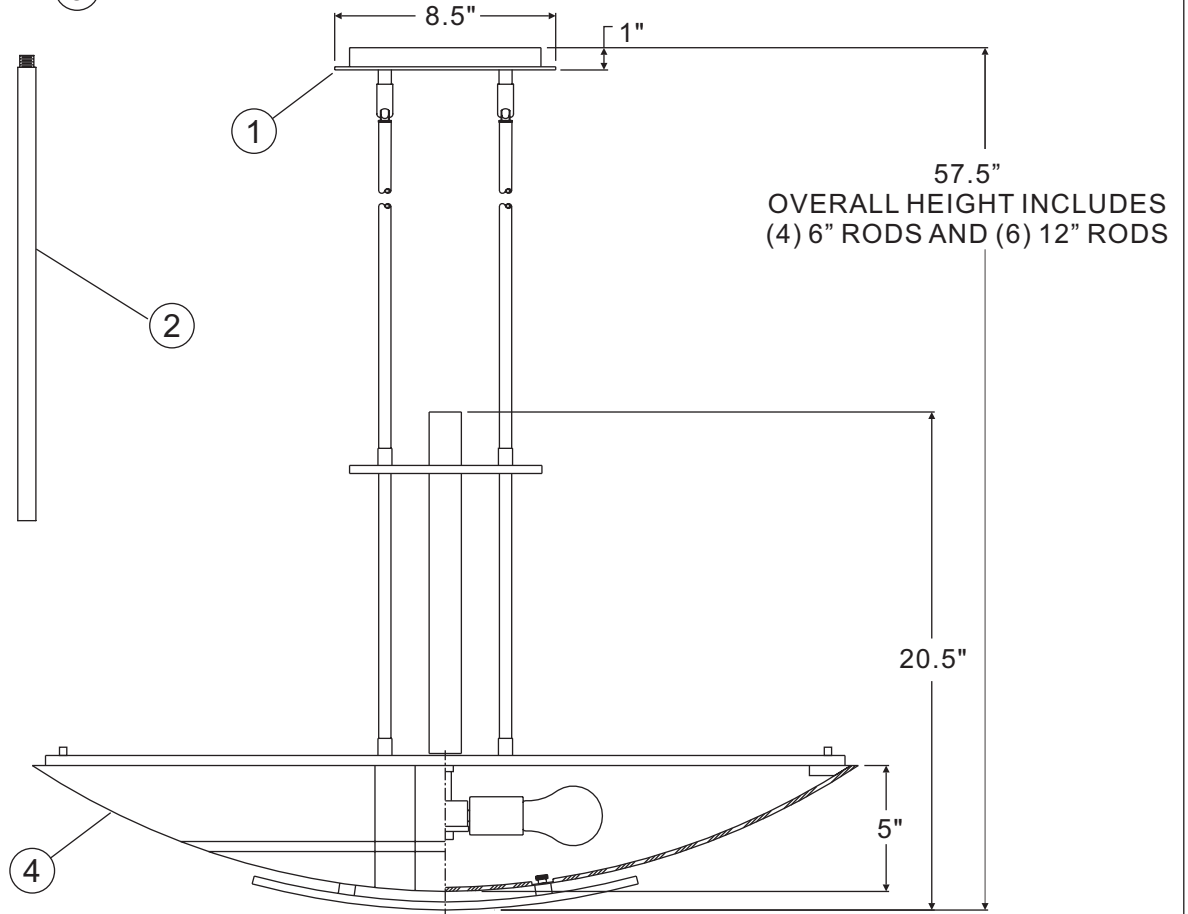
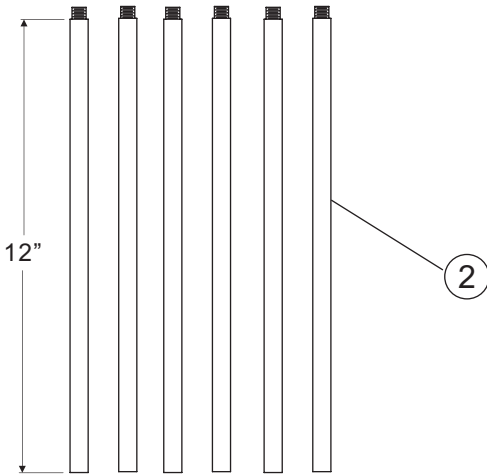
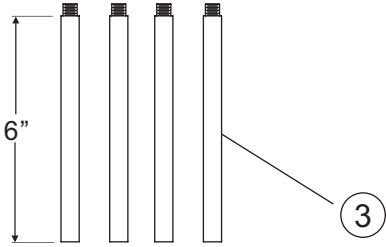
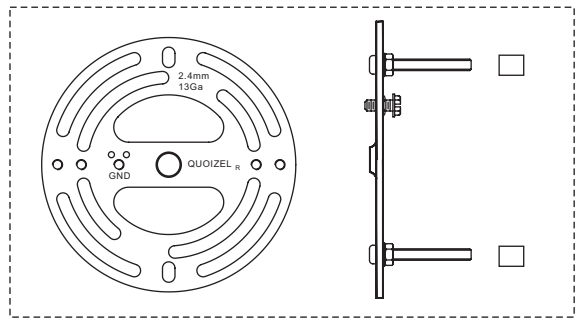
Disconnect fixture from power source before replacing bulbs. Make sure bulbs are given sufficient time to cool before removal. Do not subject glass parts to any shock while in operation or shattering may result.

Thank you for purchasing a Quoizel product.

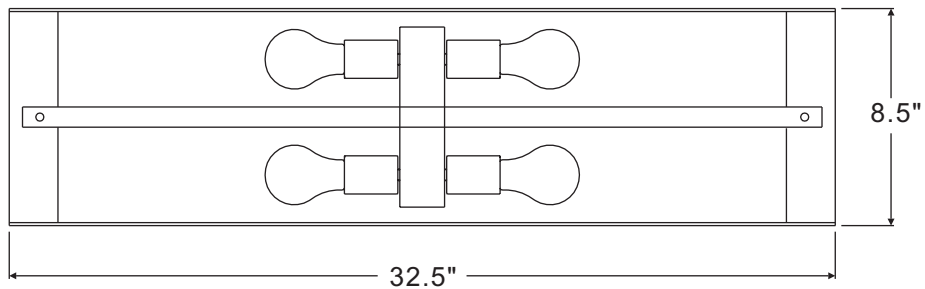
Need assistance with parts or assembly? Call Quoizel customer service at 1-631-273-2700
or visit us on-line at www. quoizel. com

TFLU433K

FINISH: MYSTIC BLACK



57.5"
OVERALL HEIGHT INCLUDES
(4) 6" RODS AND (6) 12" RODS



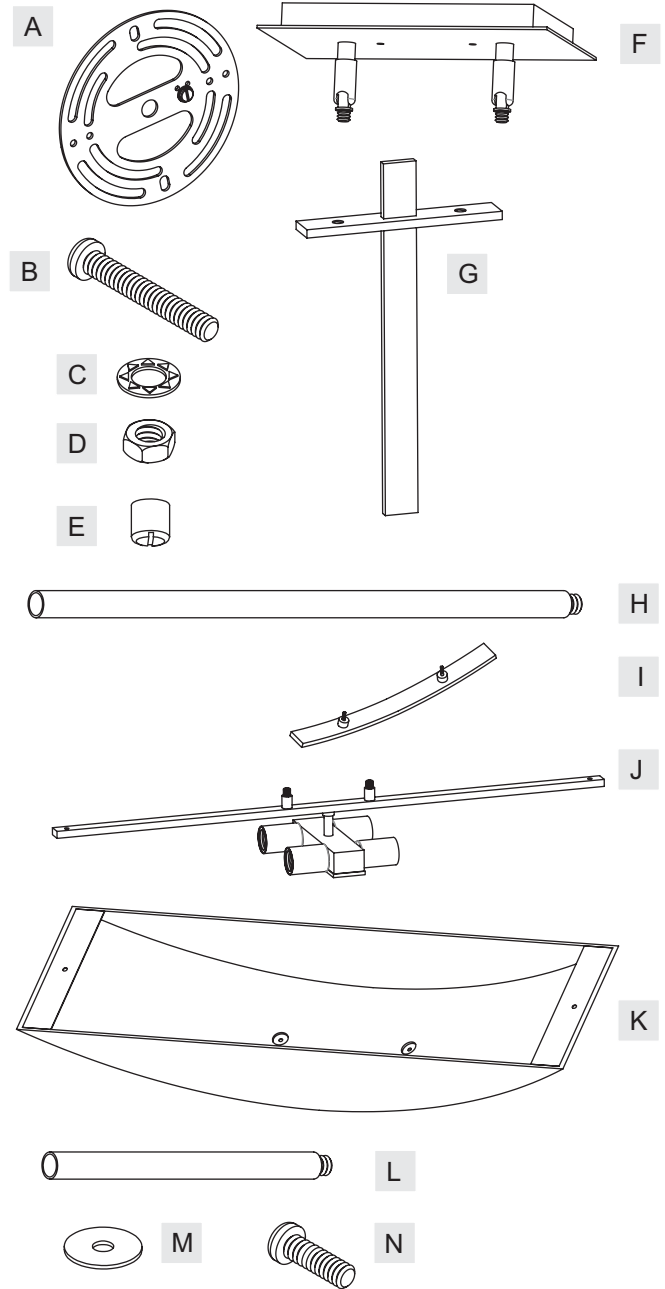
(4) 100W A19
Medium Base Bulbs
(Not Supplied)

NOTE: ALL DIMENSIONS ARE ROUNDED UP TO THE NEAREST 1/2"

NO.	PART NUMBER	REPLACEMENT PART DESCRIPTION	REQ.
1	1433KTFLU	BASE MYSTIC BLACK TFLU433K	1
2	9012EXK	ROD EXT MYSTIC BLACK 12"L X 0.5"D	6
3	9006EXK	ROD EXT MYSTIC BLACK 6"L X 0.5"D	4
4	G2986SH	SHADE TIFFANY BODY 32.5"L	1

Package Contents

Part	Description	Quantity
A	Crossbar	1 pc.
B	Mounting Screw	2 pcs.
C	Lock Washer	4 pcs.
D	Hex Nut	4 pcs.
E	Mounting Ball	6 pcs.
F	Ceiling Canopy	1 pc.
G	Cross Part	1 pc.
H	12" Rod	6 pcs.
I	Bending Iron	1 pc.
J	Socket Assembly	1 pc.
K	Shade	1 pc.
L	6" Rod	4 pcs.
M	Flat Washer	2 pcs.
N	Short Screw	2 pcs.



Thank you for purchasing a Quozel product.

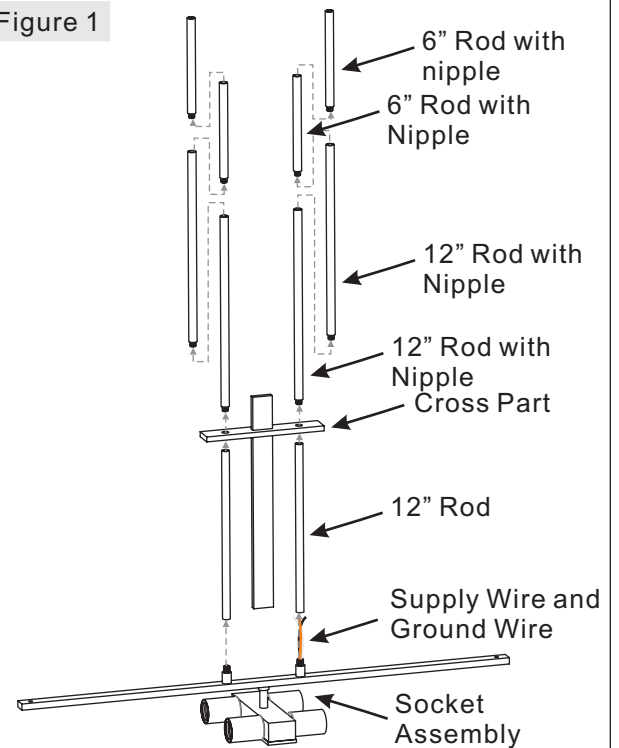
**Need assistance with parts or assembly? Call Quozel customer service at 1-631-273-2700
 or visit us on-line at www. quozel. com**

Assembly Instruction Sheet #IS-TFLU433K For Style TFLU433K

STEP 1 - Assemble Rods

- A. Determine the Rods (H/M) to be assembled according to your hanging height.
- B. Pass Supply Wires and Ground Wire through the Rod (H), the Cross Part (G) and the chosen Rods (H/M).
- C. Thread one end of the Rod (H) onto the nipple on the top of the Socket Assembly (J). Hand tighten until snug.
- D. Place the Cross Part (G) onto the top ends of Rods (H). Thread the chosen Rods (H/M) into the top ends of the Rods (H) as shown. Hand tighten until snug.

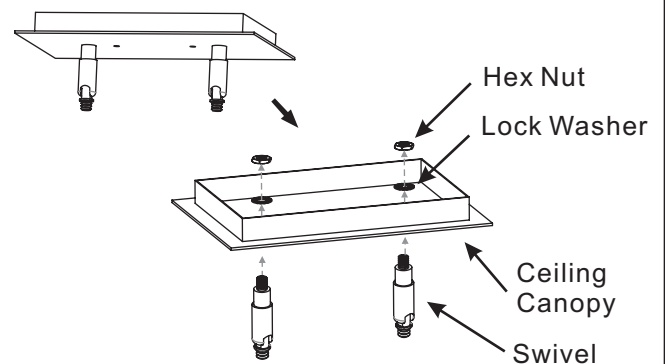
Figure 1



STEP 2 - Disassemble Ceiling Canopy

- A. Disassemble every single parts pre-assembled on the Ceiling Canopy as shown in the illustration.

Figure 2

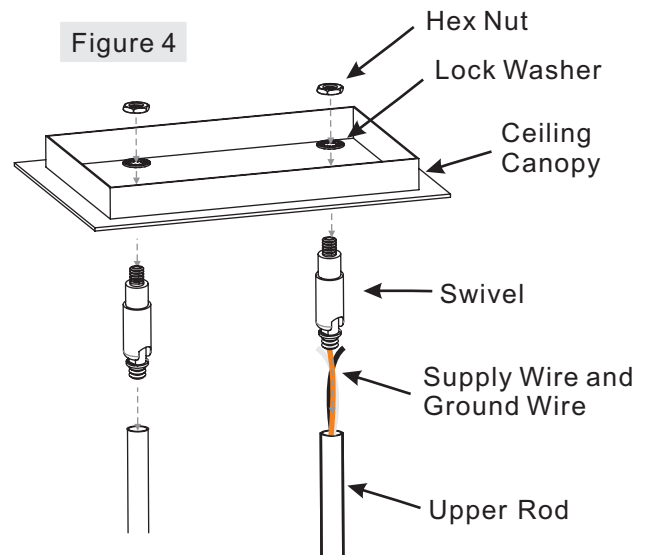
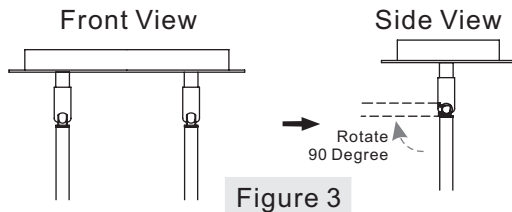


Thank you for purchasing a Quozel product.

Need assistance with parts or assembly? Call Quozel customer service at 1-631-273-2700
or visit us on-line at www. quozel. com

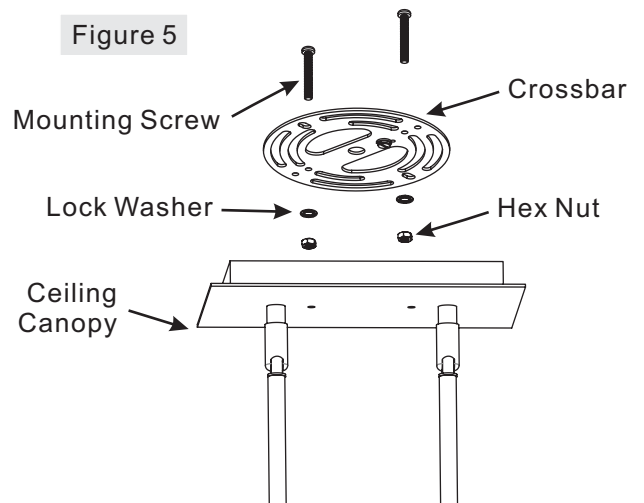
STEP 3 - Assemble Ceiling Canopy

- Pass the Supply Wires and Ground Wires through Swivels, the Ceiling Canopy, Lock Washers and Hex Nuts.
- Screw the Swivels into the top end of the Upper Rod. Please be sure the directions of two Swivels are the same before hand tighten until snug. This allows the lamp to adjust angles after assembly. (Refer to Figure 3)
- Pass the Ceiling Canopy and Big Lock Washers over the top end of the Swivels. Secure by threading Hex Nuts onto Swivels. Tighten until snug.



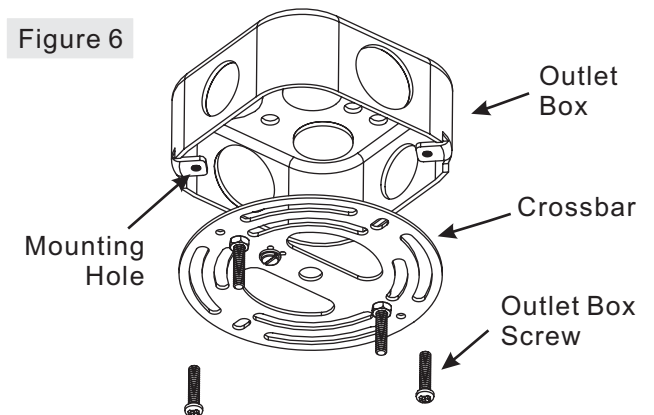
STEP 4 - Attach Mounting Screws, Lock Washers and Hex Nuts to Crossbar

- Line up a set of holes on the Crossbar (A) and Holes on the Ceiling Canopy (F).
- Thread Mounting Screws (B) into the holes on the Crossbar (A), pass Lock Washers (C) and thread Hex Nut (D) onto the Mounting Screws (B). Hand tighten until snug.



STEP 5 - Attach Crossbar to Outlet Box

- Attach the Crossbar (A) to Outlet Box and secure by threading Outlet Box Screws (not supplied) into the Mounting Holes on the Outlet Box. Tighten until snug.



Thank you for purchasing a Quozel product.

Need assistance with parts or assembly? Call Quozel customer service at 1-631-273-2700
 or visit us on-line at www. quozel. com

STEP 6 - Make Wire Connections

- A. Use standard wire connectors to make all wire connections. (Connectors are not included with fixture.) Strip and prepare wire ends according to instructions supplied with connectors.
- B. Connect White Supply Wire from the Outlet Box to White Wire from fixture.
- C. Connect Black (or Red) Supply Wire from the Outlet Box to Black Wire from fixture.
- D. Connect Ground Wire from the Outlet Box to Ground Wire from fixture.
- E. Twist connectors until wires are tightly joined together.
- F. Wrap each connection with approved electrical tape and carefully stuff all the connected wires into the Outlet Box.

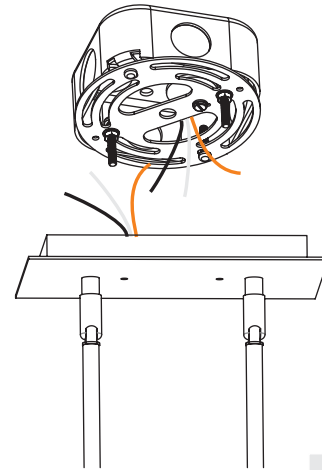


Figure 8

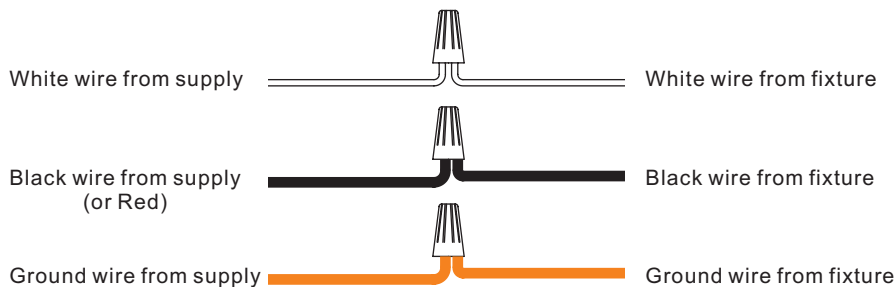


Figure 7

STEP 7 - Attach Ceiling Canopy to Mounting Screw

- A. Place the Ceiling Canopy (F) over the Mounting Screws (B) and secure with Mounting Balls (E). Hand tighten until snug.

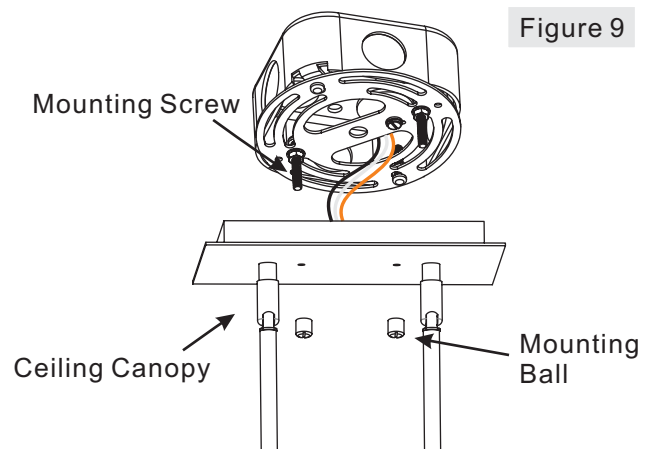


Figure 9

Thank you for purchasing a Quozel product.

Need assistance with parts or assembly? Call Quozel customer service at 1-631-273-2700
or visit us on-line at www. quozel. com

STEP 8 - Attach Bending Iron to Shade

- A. Attach the Bending Iron (R) to the bottom of the Shade (K) and secure with Mounting Ball (E). Hand tighten until snug.

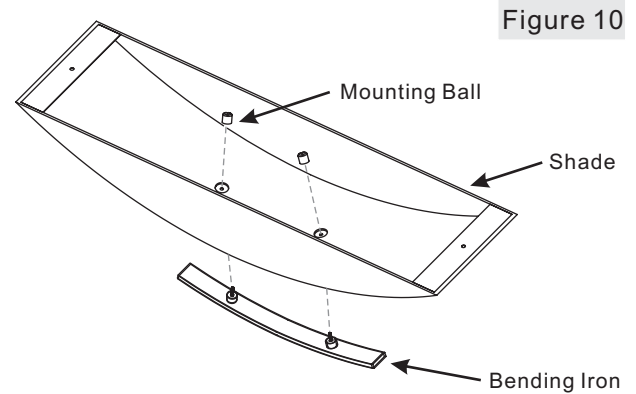


Figure 10

STEP 9 - Attach Shade to Socket Assembly

- A. Place the Flat Washer (M) over the Short Screw (N), Pass Short Screw (N) through the Hole on the Shade (K) and Lock Washer (C) over the Short Screw (N). Secure with Hex Nut (D) and tighten until snug.
- B. Pass the Short Screw (N) through the holes on the Bar of the Socket Assembly (P). Secure by threading Mounting Balls (E) onto the Bolts. Hand tighten until snug.

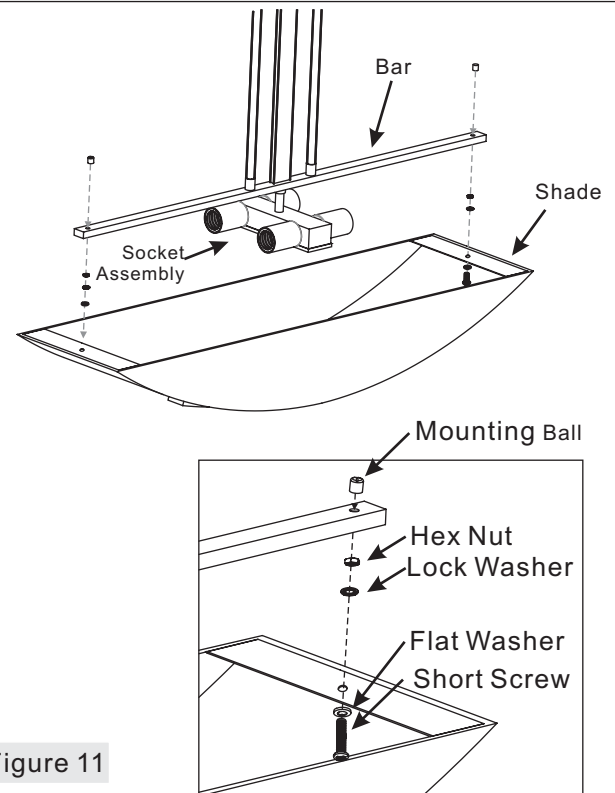


Figure 11

STEP 10 - Install Bulb

- A. This fixture uses standard bulb with a standard screw base. Maximum 100 watts.
- B. Insert bulb and screw properly into place.

Your lamp island fixture is now assembled and ready to use. Enjoy!

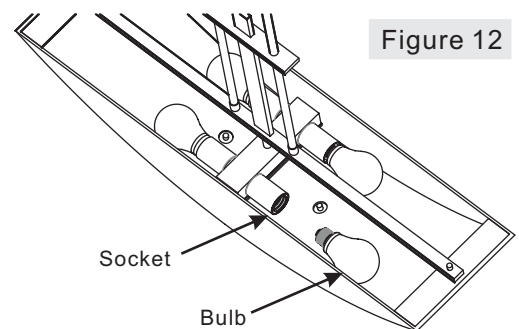


Figure 12

Thank you for purchasing a Quozel product.

Need assistance with parts or assembly? Call Quozel customer service at 1-631-273-2700
or visit us on-line at www. quozel. com