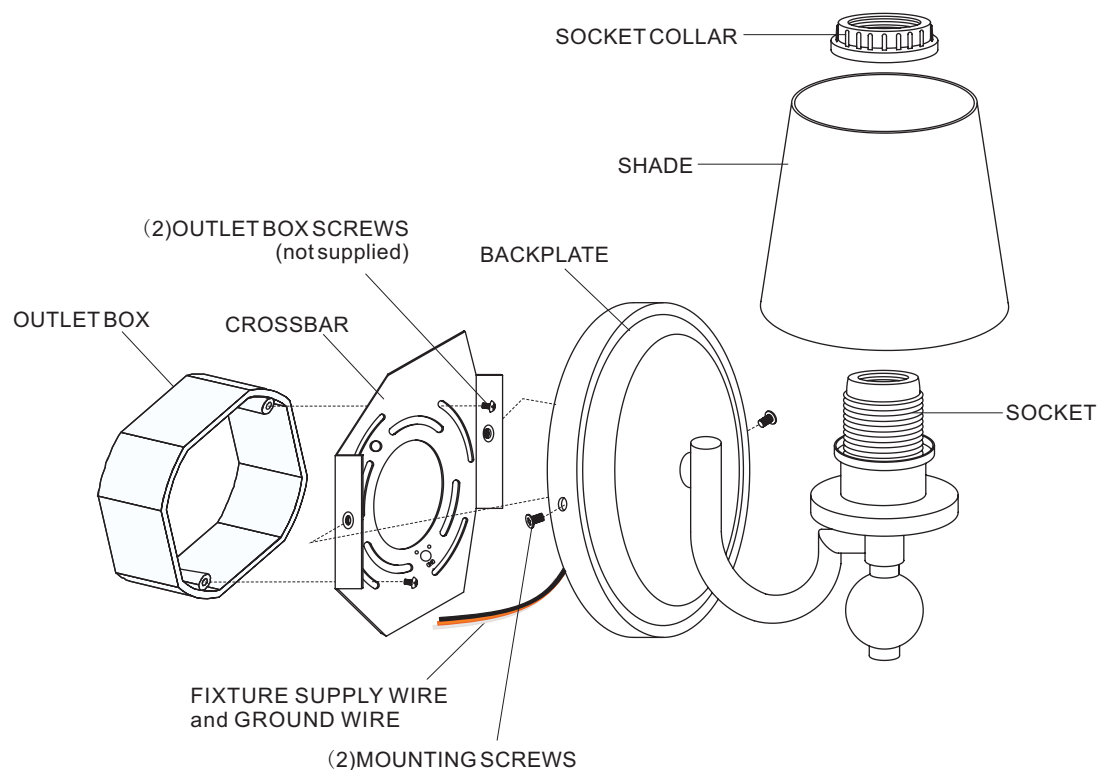


## INSTALLATION INSTRUCTIONS



1. Before beginning the installation, carefully unpack and identify all parts, referring to illustration.
2. Turn the electrical power to installation point OFF at circuit breaker .
3. Place the **CROSSBAR** on the **BACKPLATE** and align the holes in the **BACKPLATE** with a set of slots in the **CROSSBAR**. Mount the **CROSSBAR** to the outlet box with **(2) OUTLET BOX SCREWS (not provided)**.
4. **Make the connections:**  
Use wire connectors(not supplied) connect the **HOUSE GROUND** to the **FIXTURE GROUND WIRE** ; attach the **HOUSE WHITE WIRE** to **FIXTURE WHITE (or RIBBED SIDE) SUPPLY WIRE**; connect the **HOUSE BLACK (or RED) WIRE** to the **FIXTURE BLACK(or SMOOTH SIDE) WIRE**. Wrap each connection with approved electrical tape.
5. Carefully tuck all wires into the **WALL MOUNTED OUTLET BOX** and position the fixture over the outlet box. Align the **HOLES** on the edge of the **BACKPLATE** with the **(2)** mounting holes on the folded edge of the **CROSSBAR**. Use screw driver, thread the **(2) MOUNTING SCREWS** into the mounting holes on the folded edge of the **CROSSBAR**. Hand tighten until snug to secure the **BACKPLATE**.
6. Position the **SHADE** over the **SOCKET** as shown. Secure the **SHADE** by threading the **SOCKET COLLAR** onto the **SOCKET**. Hand tighten until snug.
7. Install the correct bulb referring to the fixture markings and/or labels for maximum wattage.
8. Restore power to the installation point ON. Retain this sheet for future reference.

**IF IN DOUBT ABOUT ELECTRICAL INSTALLATION,  
CONSULT A LICENSED ELECTRICIAN!**