

Q U O I Z E L
6 CORPORATE PARKWAY
GOOSE CREEK, SC. 29445
www. quoizel. com

Quoizel, Inc.
6 Corporate Parkway
Goose Creek, SC
29445

Customer Service
Phone 631.273.2700
Fax 631.231.7102
www. quoizel. com

Assembly Instruction Sheet #IS-UPTR5007IS For Style UPTR5007IS

Tools Required: Flathead screwdriver, Phillips screwdriver, pliers, wire cutters, wire strippers, electrical tape, safety glasses.

Bulb Recommended: (6) Edson bulbs 60W Maximum and (1) MR-16 GU10 Base
50W Maximum

Estimated Assembly Time: 30-45 minutes

Preparation: Identify and inspect all parts before beginning installation. Check package content list and diagrams below to be sure all parts are present. If any parts are missing or damaged, do not attempt to assemble, install, or operate the fixture. Contact customer service for replacement parts.



Warnings and Cautions

Turn off electricity at circuit breaker or main fuse box before installation. Consult a licensed electrician if in doubt.

These instructions are provided for your safety. It is very important you read them completely before installing the fixture. We strongly recommend that a licensed, professional electrician perform the installation.

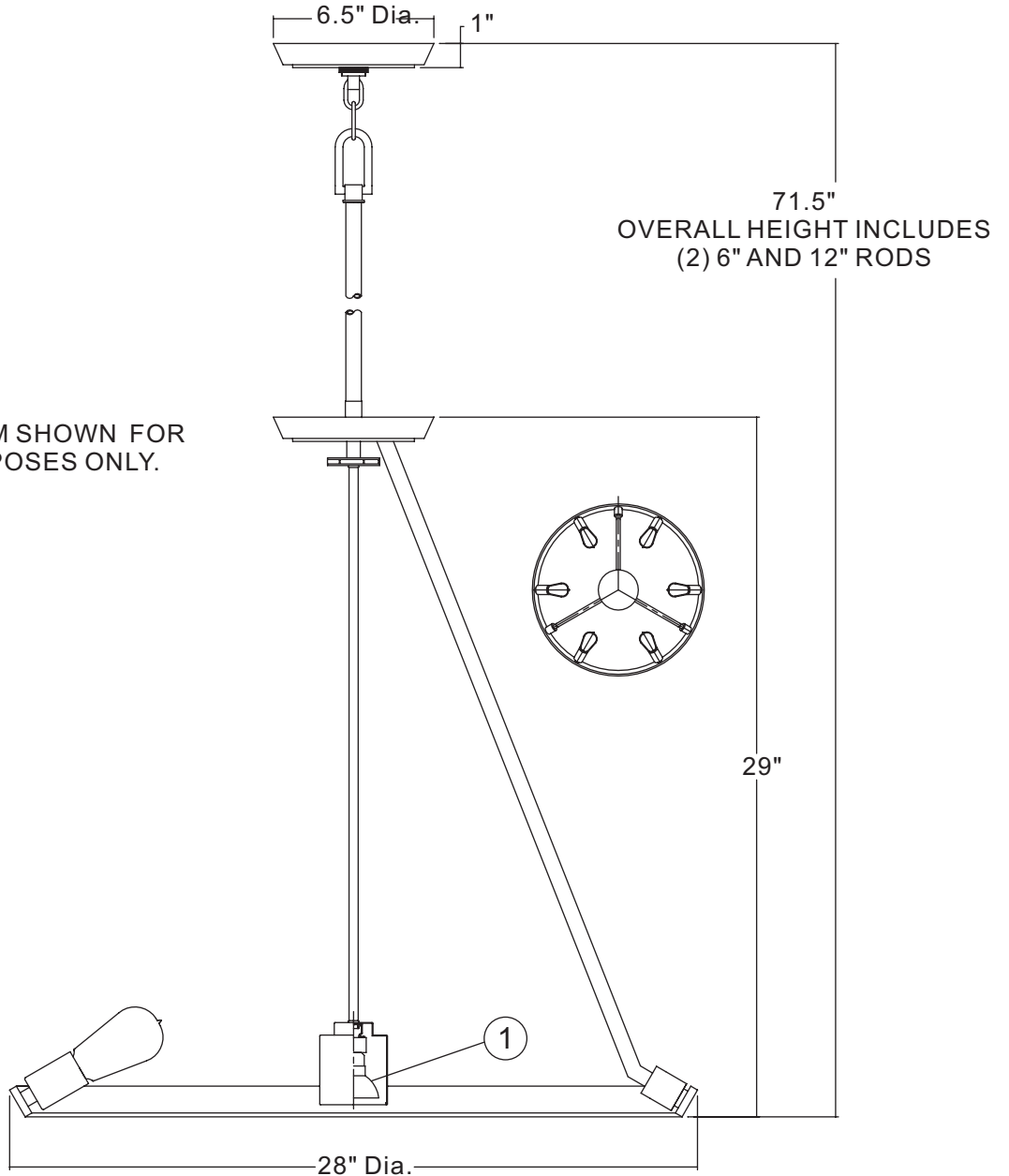
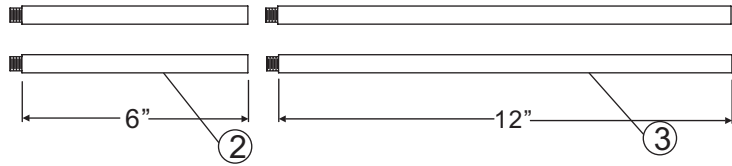
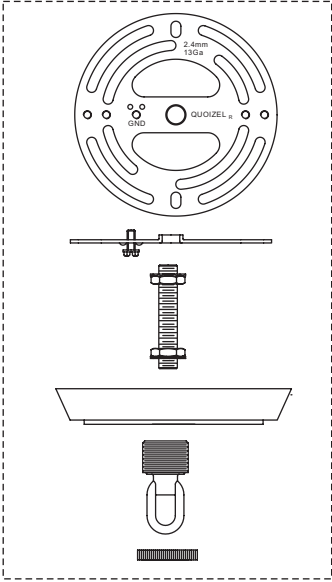
Disconnect fixture from power source before replacing bulbs. Make sure bulbs are given sufficient time to cool before removal. Do not subject glass parts to any shock while in operation or shattering may result.

Thank you for purchasing a Quoizel product.

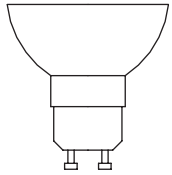
**Need assistance with parts or assembly? Call Quoizel customer service at 1-631-273-2700
or visit us on-line at www. quoizel. com**

UPTR5007IS

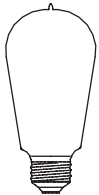
FINISH: IMPERIAL SILVER



NOTE: ONE SIDE ARM SHOWN FOR ILLUSTRATION PURPOSES ONLY.



(1) 50W MR-16
GU10 Base Bulbs
(Supplied)



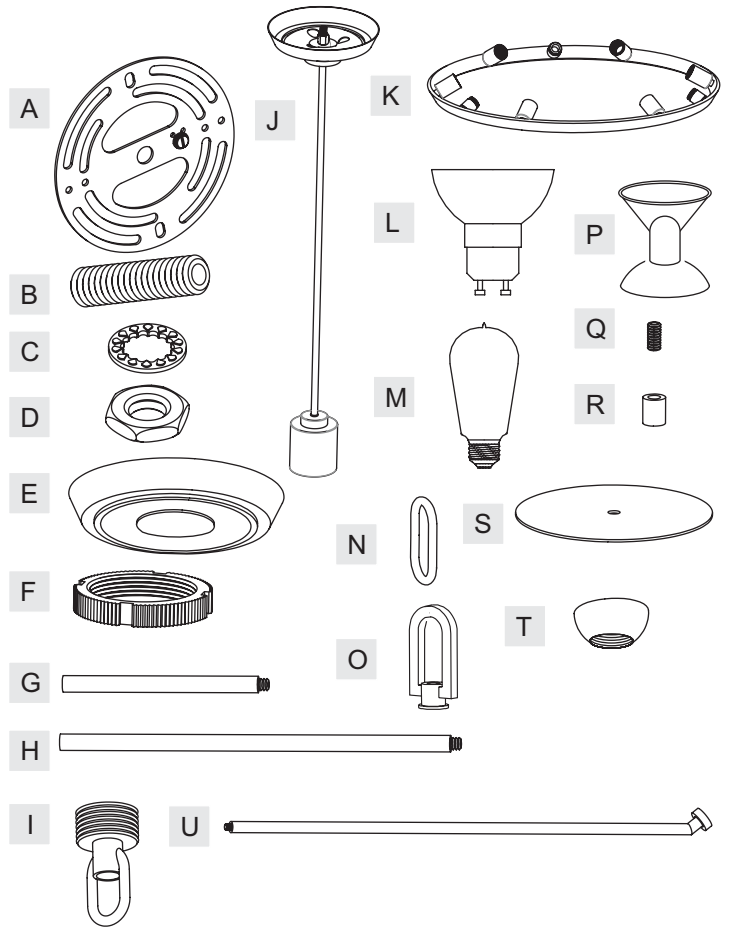
(6) 60W Edson Bulbs
(Supplied)

NOTE: ALL DIMENSIONS ARE ROUNDED UP TO THE NEAREST 1/2"

NO.	PART NUMBER	REPLACEMENT PART DESCRIPTION	REQ.
1	I820GU	BULB 50W HALOGEN GU10 BASE	1
2	9007EXIS	ROD EXT IMPERIAL SILVER 6"L X 0.63"D	2
3	9008EXIS	ROD EXT IMPERIAL SILVER 12"L X 0.63"D	2

Package Contents

Part	Description	Quantity
A	Crossbar	1 pc.
B	Nipple	1 pc.
C	Lock Washer	2 pcs.
D	Hex Nut	2 pcs.
E	Ceiling Canopy	1 pc.
F	Canopy Lock Ring	1 pc.
G	6" Rod	2 pcs.
H	12" Rod	2 pcs.
I	Fixture Loop Assembly	1 pc.
J	Center Rod Assembly	1 pc.
K	Socket Assembly	1 pc.
L	MR-16	1 pc.
M	Edson Bulb	6 pcs.
N	Fixture Chain	1 pc.
O	Fixture Loop	1 pc.
P	Plastic Suction Cup	1 pc.
Q	Short Nipple	1 pc.
R	Coupling	1 pc.
S	Cap	1 pc.
T	Half Ball	3 pcs.
U	Side Arm	3 pcs.



Thank you for purchasing a Quoizel product.

Need assistance with parts or assembly? Call Quoizel customer service at 1-631-273-2700 or visit us on-line at www. quozel. com

STEP 1 – Assemble Side Arm to Center Rod Assembly

- A. Pass the Nipple on the Side Arm (U) through the Hole on the Pan, Secure by threading the Half Ball (T) onto the Nipple on the Side Arm (U). Hand tighten until snug.

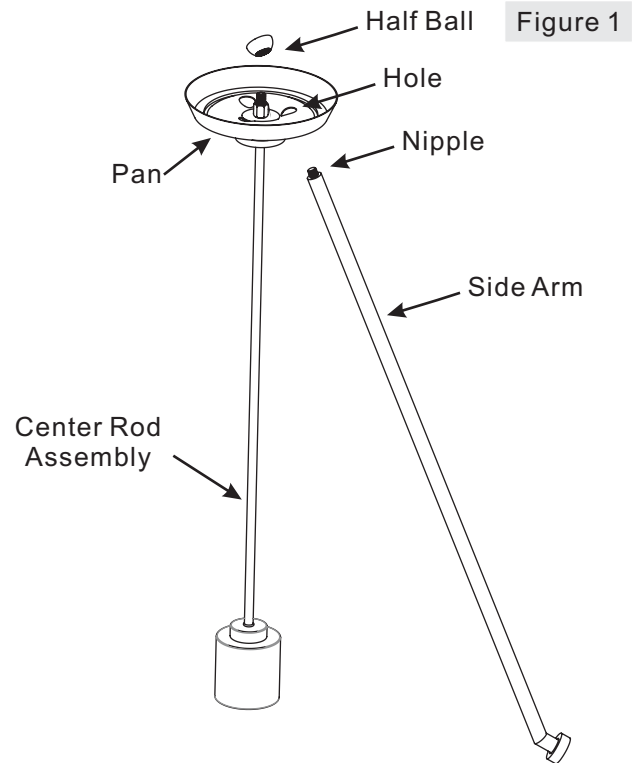


Figure 1

STEP 2 – Assemble Cap

- A. Place the Cap (S) over the Pan, Secure by threading the Coupling (R) to the Nipple on the top of Center Rod Assembly (J). Hand tighten until snug.
B. Thread the Short Nipple (Q) into the Coupling (R).

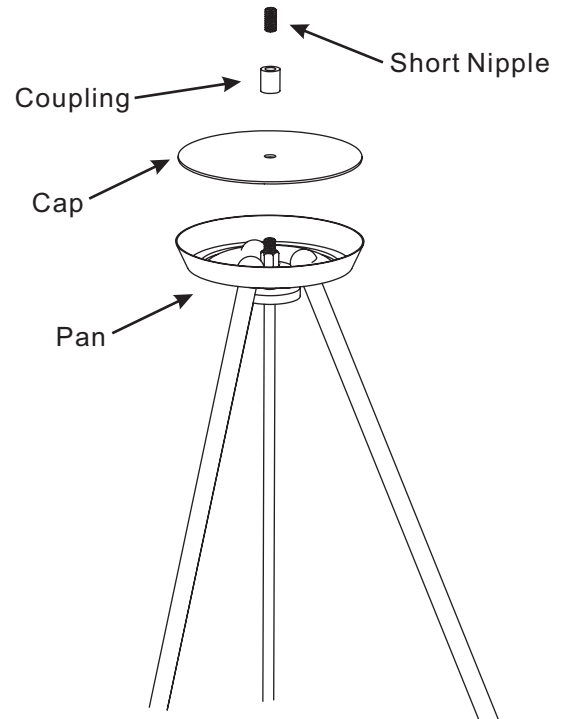


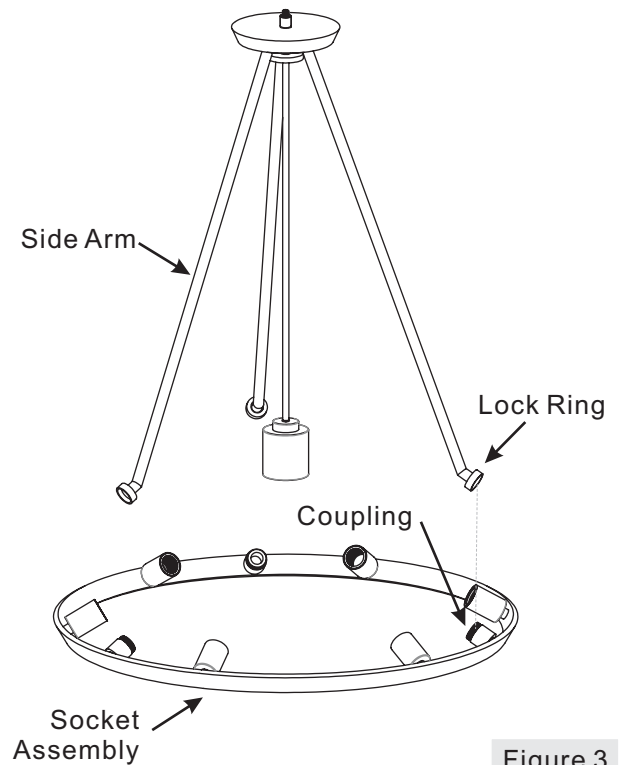
Figure 2

**Thank you for purchasing a Quoizel product.
Need assistance with parts or assembly? Call Quoizel customer service at 1-631-273-2700
or visit us on-line at www. quozel. com**

STEP 3 – Assemble Socket Assembly to Fixture Body

To avoid scratching the Socket Assembly and Side Arms during assembly, please **DO NOT** remove the package material (Plastic film) until the fixture is assembled completely.

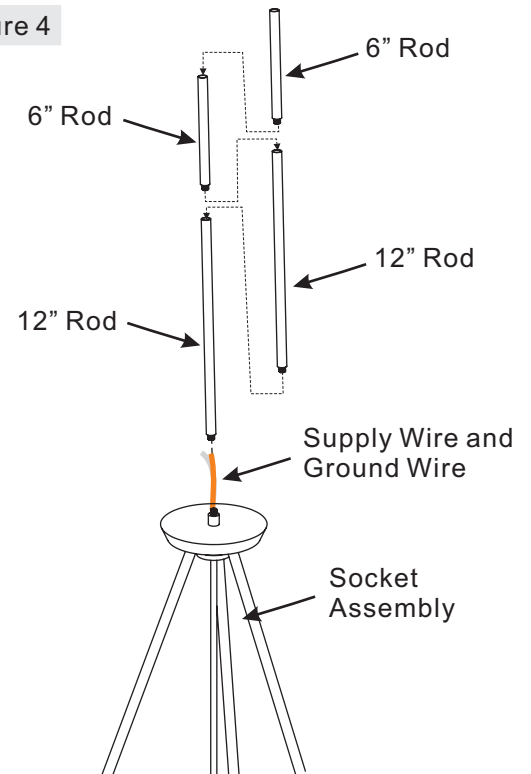
- A. Thread the Lock Ring on Side Arm onto the Coupling inside of Socket Assembly (K) to get Socket Assembly (K) and Fixture Body (J) together, Hand tighten until snug.



STEP 4 – Assemble Rods

- A. Determine the Rods (G/H) to be assembled to the Socket Assembly (I) according to your hanging height.
B. Pass Supply Wires and Ground Wire through the chosen Rods (G/H) and then thread the chosen Rods (G/H) and the Socket Assembly (I) together. Hand tighten until snug.

Figure 4

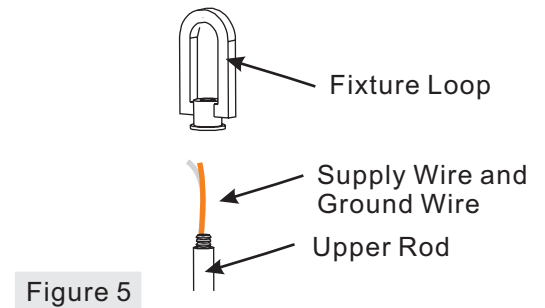


Thank you for purchasing a Quozel product.

Need assistance with parts or assembly? Call Quozel customer service at 1-631-273-2700
or visit us on-line at www. quozel. com

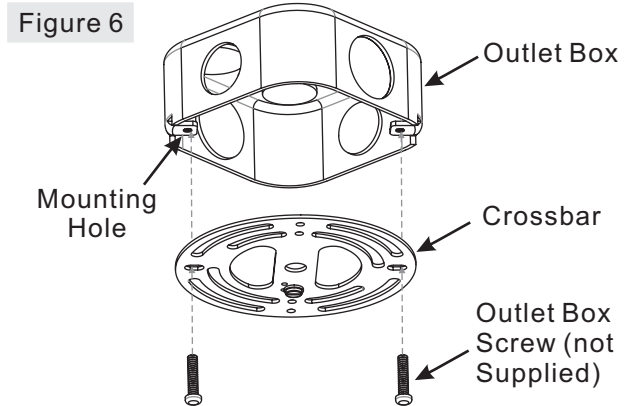
STEP 5 – Assemble Fixture Loop to Upper Rod

- A. Pass Supply Wires and Ground Wire through the Fixture Loop (O) then thread the Fixture Loop (O) and the Upper Rod together. Hand tighten until snug.



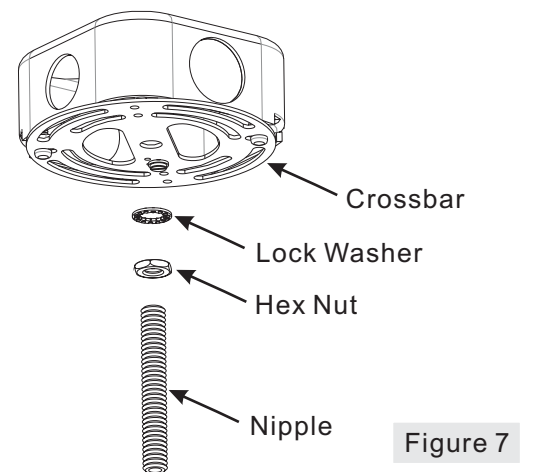
STEP 6 – Attach Crossbar to Outlet Box

- A. Secure the Crossbar (A) to the outlet box with outlet box screws (not supplied). Tighten until snug.



STEP 7 – Attach Nipple to Crossbar

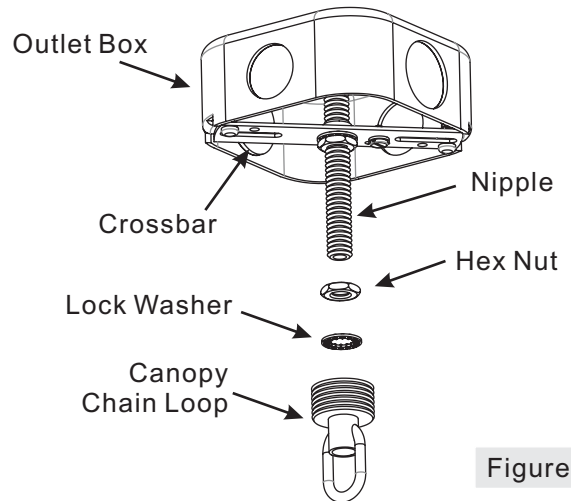
- A. Thread one Hex Nut (D) onto the top end of the Nipple (B).
B. Place one Lock Washer (C) over the top end of the Nipple (B) and then thread the Nipple (B) into the center lock hole of the Crossbar (A).
C. Using pliers, thread the hex Nut (D) against the Crossbar (A) and hand tighten until snug.



Thank you for purchasing a Quoizel product.
Need assistance with parts or assembly? Call Quoizel customer service at 1-631-273-2700
or visit us on-line at www. quozel. com

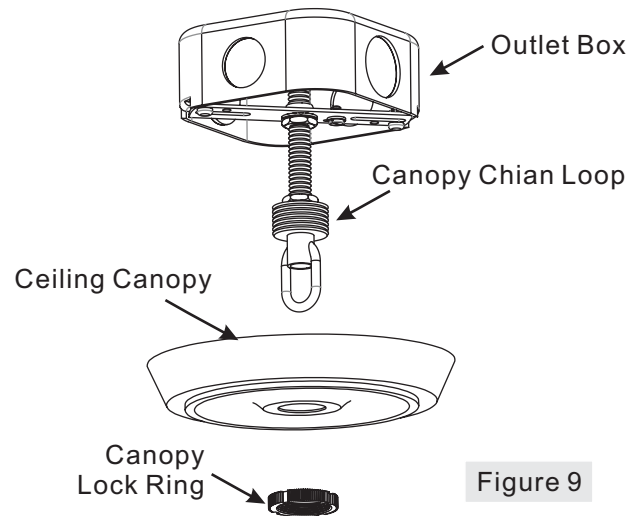
STEP 8 – Attach Canopy Chain Loop to Nipple

- Thread another Hex Nut (D) onto the end of the Nipple (B).
- Place the Lock Washer (C) over the end of the Nipple (B) and then thread the Canopy Chain Loop (I) onto the end of the Nipple (B).
- Using pliers, thread the Hex Nut (D) against the Canopy Chain Loop and hand tighten until snug.



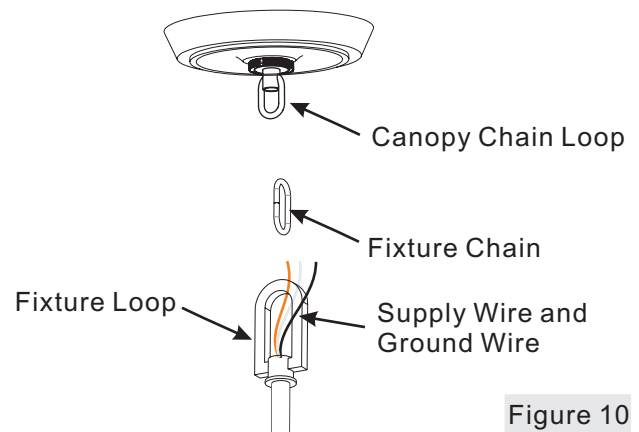
STEP 9 – Assemble Ceiling Canopy

- Push the Ceiling Canopy (E) upward over the Outlet Box. Thread the Canopy Lock Ring (F) onto the Canopy Chain Loop (I) and tighten until snug to secure the Ceiling Canopy (E).



STEP 10 – Attach Fixture Chain to Canopy Chain Loop and Fixture Loop

- You may need to use plier to open the chain links. If so, put a cloth over the chain to protect the finish from the pliers.
- Attach one end of the Fixture Chain (N) onto the Canopy Chain Loop (I) and then attach the other end of the Fixture Chain (N) onto the Fixture Loop (O) on the top of the fixture.



Thank you for purchasing a Quoizel product.
Need assistance with parts or assembly? Call Quoizel customer service at 1-631-273-2700
or visit us on-line at www. quozel. com

STEP 11 – Pass Supply Wires through Fixture Chain

- A. Pull the Supply Wires and Ground Wire up through the Fixture Chain (N) alternating links. Push the wires up through the Canopy Chain Loop (I) into the outlet box.

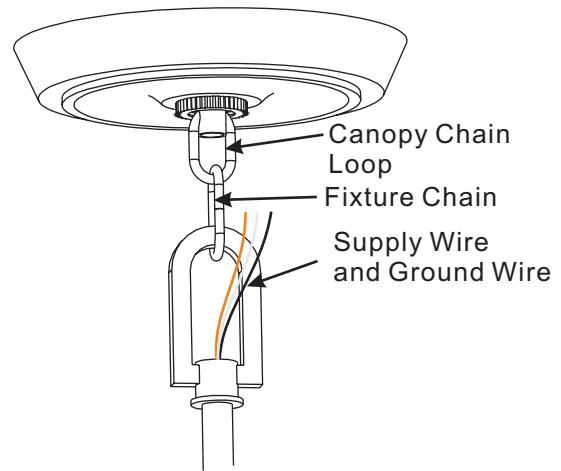


Figure 11

STEP 12 – Make Wire Connections

- A. Un-thread the Canopy Lock Ring (F) and slide Canopy Lock Ring (F) and Ceiling Canopy (E) down the Fixture Chain.
 B. Push all slack fixture wire through Canopy Chain Loop into Outlet Box. Trim excess fixture wire leaving a minimum of 6 inch. Hanging out of the Outlet Box.
 C. Use standard wire connectors to make all wire connections. (Connectors are not included with fixture.) Strip and prepare wire ends according to instructions supplied with connectors.
 D. Connect White Supply Wire from the Outlet Box to White Wire from fixture.
 E. Connect Black (or Red) Supply Wire from the Outlet Box to Black Wire from fixture.
 F. Connect Ground Wire from the Outlet Box to Ground Wire from fixture.
 G. Twist connectors until wires are tightly joined together.
 H. Wrap each connection with approved electrical tape and carefully stuff all the connected wires into the Outlet Box.
 G. Re-attach the Ceiling Canopy (E) as shown in Step 5.

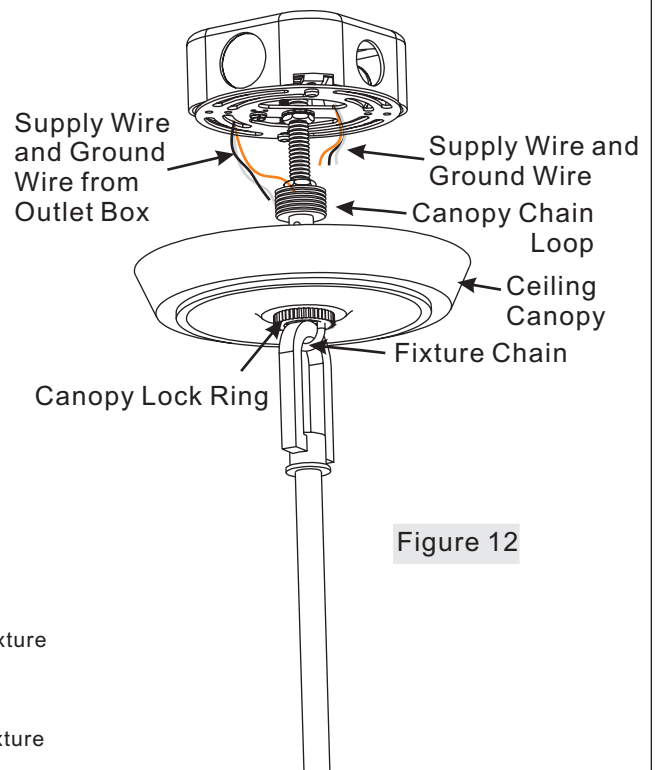


Figure 12

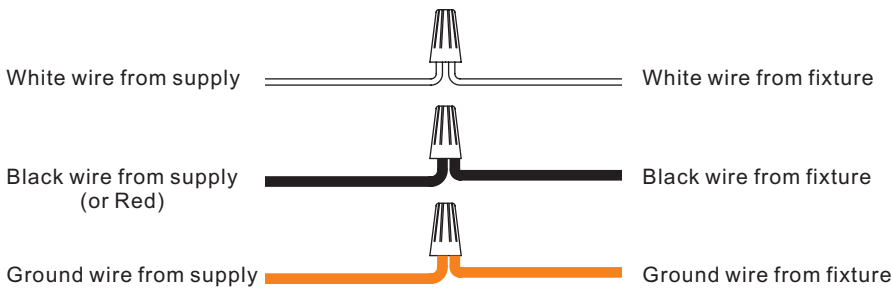


Figure 13

Thank you for purchasing a Quoizel product.
Need assistance with parts or assembly? Call Quoizel customer service at 1-631-273-2700
or visit us on-line at www. quozel. com

STEP 13 – Install Bulb

- A. This fixture uses Edson bulbs with a standard screw base. Maximum 60 watts
- B. Insert bulb and screw snugly into place.

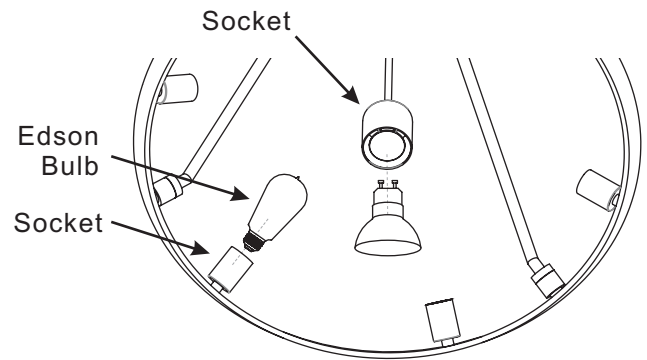


Figure 14

STEP 14 – Install MR-16 Bulb

- A. Put the Plastic Suction Cup onto the MR16 - GU10 Bulb as shown.
- B. Install the MR16 - GU10 Bulb into the Socket by aligning the pins on the Bulb with the keyholes in the Socket. Once they are aligned, gently push the MR16 - GU10 Bulb into the keyholes and twist the MR16 - GU10 Bulb to lock it in place.
- C. Remove the Plastic Suction Cup from the MR16 -GU10 Bulb.
- D. Remove the package material (plastic film) from the Socket Assembly and Side Arms.

Your fixture chandelier lamp is now assembled and ready to use. Enjoy!

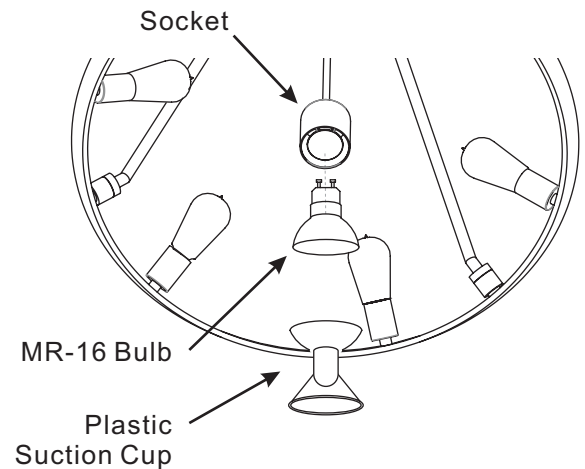


Figure 15

**Thank you for purchasing a Quoizel product.
Need assistance with parts or assembly? Call Quoizel customer service at 1-631-273-2700
or visit us on-line at www. quoizel. com**