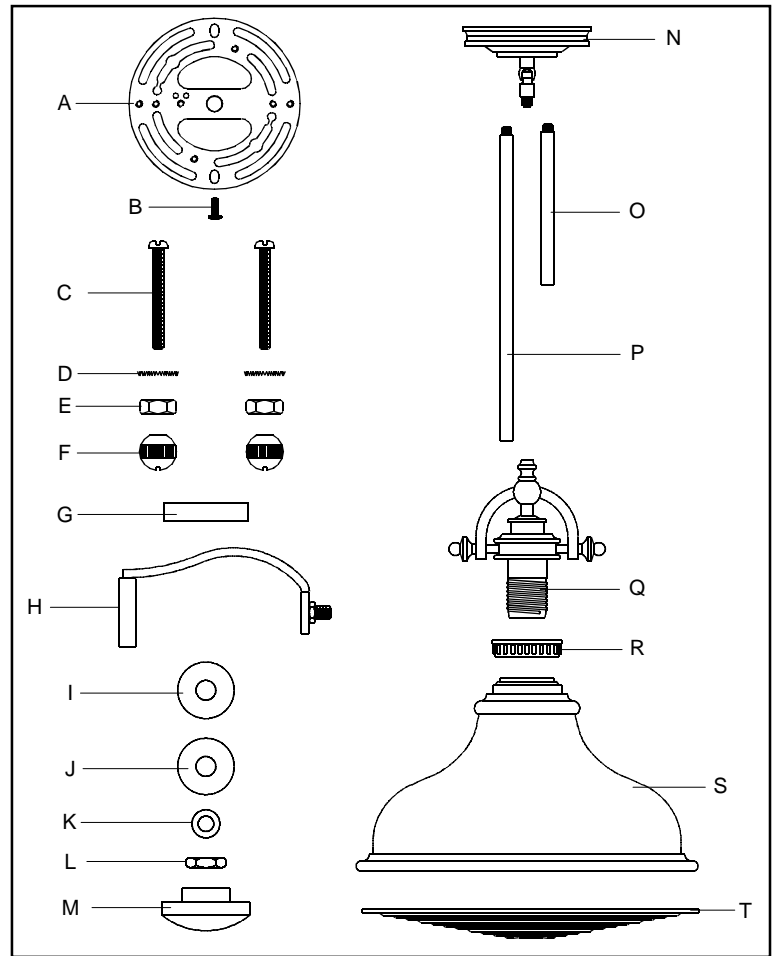


**PACKAGE CONTENTS**

ISSUED 07-2008

Revised 2008-11-10

| Part | Description                  | Quantity |
|------|------------------------------|----------|
| A    | Crossbar                     | 1pc      |
| B    | Green Ground Screw           | 1pc      |
| C    | Mounting Screw               | 2pcs     |
| D    | Lock Washer                  | 2pcs     |
| E    | Hex Nut (for Mounting Screw) | 2pcs     |
| F    | Mounting Ball                | 2pcs     |
| G    | Steel Collar                 | 1pc      |
| H    | Socket Collar with Harp      | 1pc      |
| I    | Large Flat Washer            | 1pc      |
| J    | Rubber Washer                | 1pc      |
| K    | Small Flat Washer            | 1pc      |
| L    | Hex Nut (1/8IP)              | 1pc      |
| M    | Finial                       | 1pc      |
| N    | Ceiling Canopy               | 1pc      |
| O    | 6" Rod                       | 2pcs     |
| P    | 12" Rod                      | 2pcs     |
| Q    | Socket Assembly              | 1pc      |
| R    | Socket Upper Collar          | 1pc      |
| S    | Shade                        | 1pc      |
| T    | Diffuser                     | 1pc      |



**! WARNINGS AND CAUTIONS**

**WARNING:**

- Before beginning the installation, turn off electricity at the circuit breaker box or the main fuse box by switching off the circuit breaker or removing the fuse.

**CAUTIONS:**

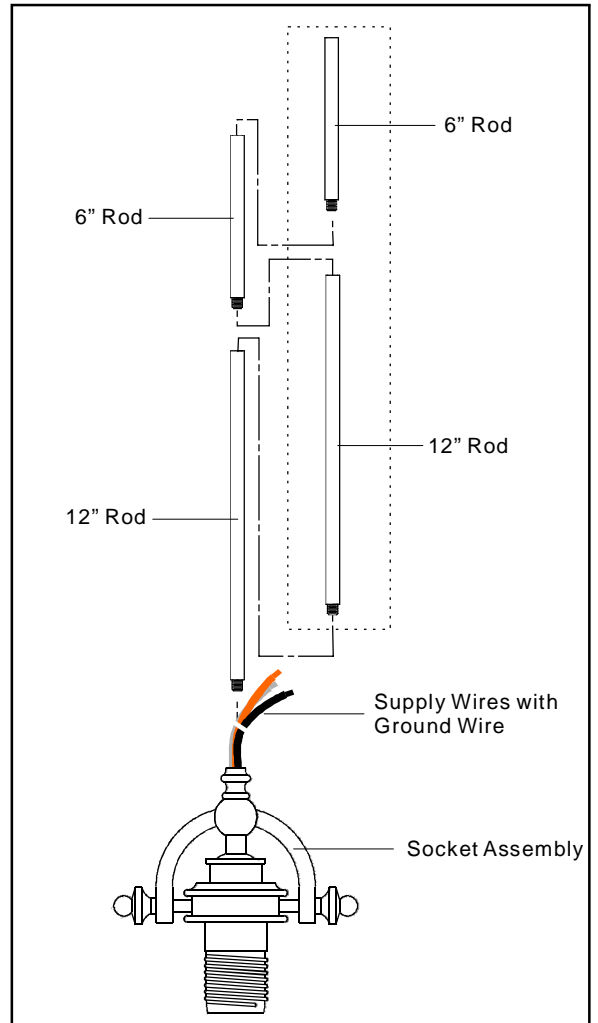
- These instructions are provided for your safety. It is very important that they are read completely before the installation of your fixture. We are strongly recommend that a professional electrician install the fixture.
- Disconnect fixture from the power source before replacing the bulb(s), making sure the bulb(s) had sufficient time to cool down. DO NOT subject the lamp to any shock while lit as shattering of lamp may result.

**PREPARATION**

- Before beginning installation of product, make sure all parts are present. Compare parts with package contents list and diagram above. If any part is missing or damaged, do not attempt to assemble, install or operate the product. Contact customer service for replacement part.
- Estimated Assembly Time: 10 - 20 minutes
- Tools Required for Assembly (not included): Flathead screwdriver, Phillips screwdriver, pliers, electrical tape, wire cutters, safety glasses & 1, 100 Watts, Type-A Medium Base Bulbs.
- Helpful Tools (not included): Wire Strippers.

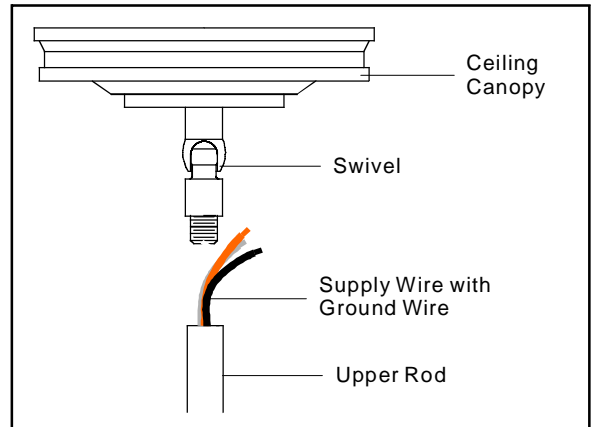
## STEP 1:

- Determine the Rods to be assembled according to your desired hanging height.
- Pass the Supply Wires with Ground Wire through the chosen Rods and then thread Rods and Socket Assembly together as shown. Tighten until snug.



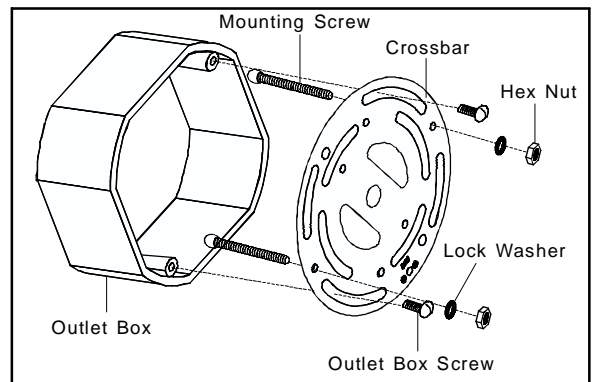
## STEP 2:

- Pass the Supply Wires with Ground Wire through the Swivel and Ceiling Canopy.
- Thread the Swivel onto the top end of the Upper Rod and hand tighten until snug.



## STEP 3:

- Screw the Mounting Screws into the Crossbar, place the Lock Washers over the Mounting Screws and thread the Hex Nuts onto the Mounting Screws as shown. Secure the position of the Mounting Screws by tightening the Hex Nuts against the Crossbar.
- Secure the Crossbar to the Outlet Box with Outlet Box Screws.



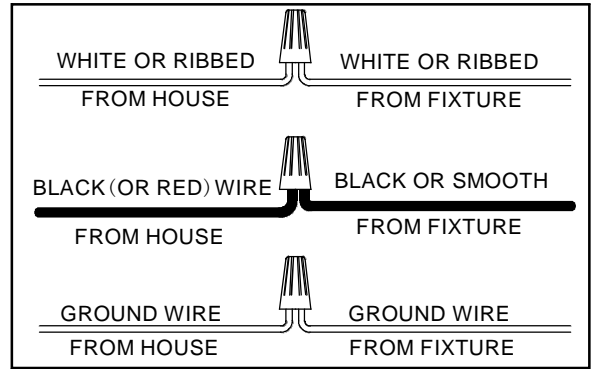
# INSTALLATION INSTRUCTIONS

STYLE NUMBER: ER1814IS, ER1814PN

## STEP 4:

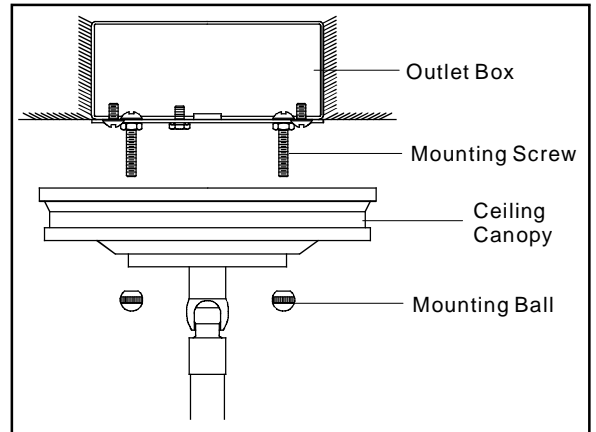
\*Use Wire Connectors (not supplied) to connect the wires.

- Connect the House Ground Wire to the Fixture Ground Wire.
- Connect the House White (or Ribbed) Wire to the Fixture Supply Wire (White or Ribbed Side).
- Connect the House Black (or Red) Wire to the Fixture Supply Wire (Black or Smooth Side).
- Wrap each connection with approved electrical tape and carefully stuff all of the connected wires into the Outlet Box.



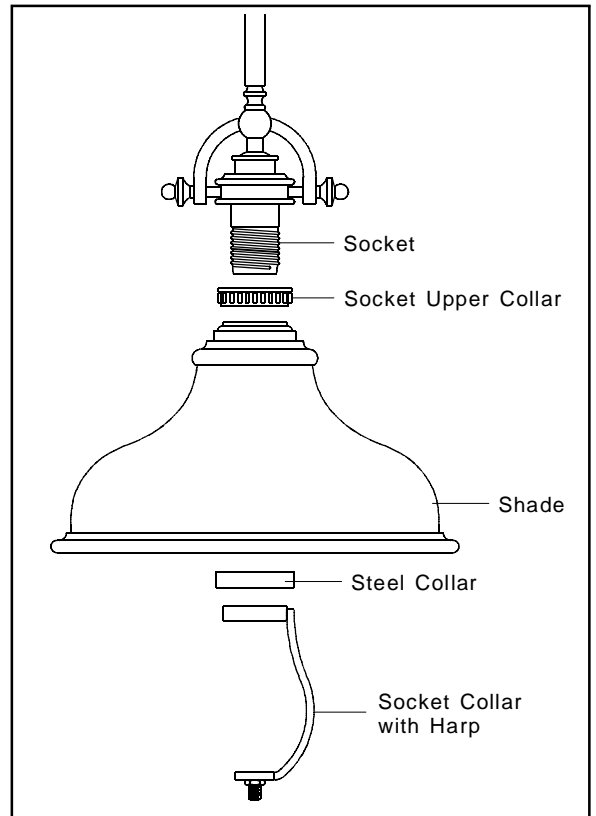
## STEP 5:

- Place the Ceiling Canopy over the Mounting Screws and thread Mounting Balls onto the Mounting Screws to secure it. Hand tighten until snug.



## STEP 6:

- Place the Socket Upper Collar, the Shade and the Steel Collar over the Socket as shown. Thread the Socket Collar with Harp onto the Socket and hand tighten until snug to secure them.

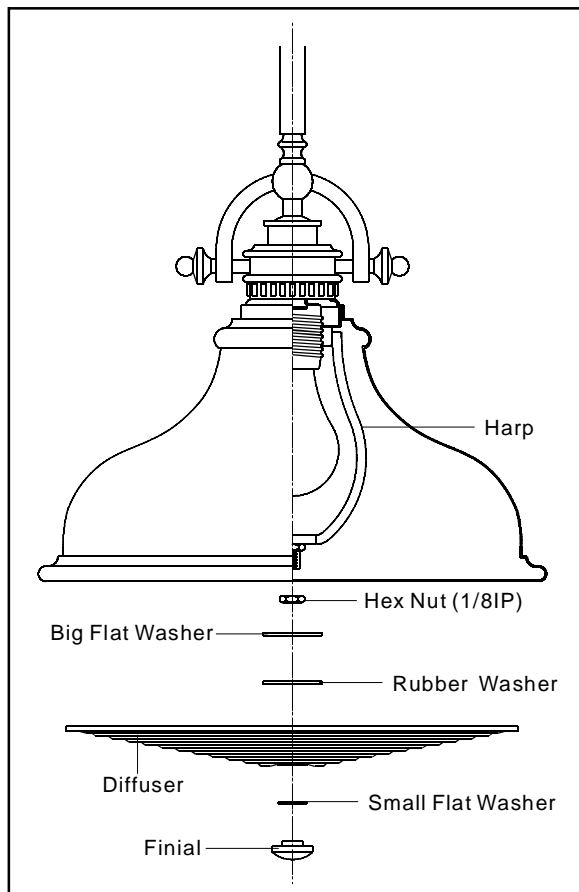


## STEP 7:

- Install correct Bulb referring to fixture markings and/or labels for maximum wattage.

**STEP 8:**

- a. Thread the Hex Nut (1/8IP) onto the nipple on the bottom end of the Harp and adjust to proper location for rest components.
- b. Place Big Flat Washer, Rubber Washer, Diffuser and Small Flat Washer over the end of the Harp as shown. Secure them by threading the Finial onto the nipple on the bottom end of the Harp. Hand tighten until snug.



Your installation is completed now. Restore electricity. Retain this sheet for future reference.