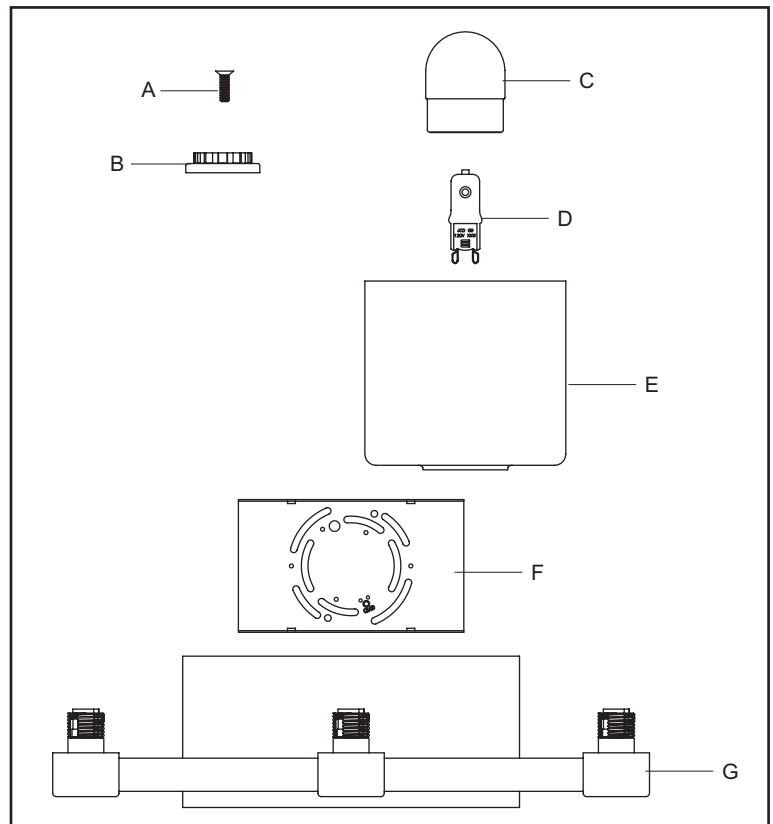


### PACKAGE CONTENTS

ISSUED 08-2010

REVISED 2013-08-23

PART	DESCRIPTION	QUANTITY
A	Mounting Screw	4 pcs
B	Socket Collar	3 pcs
C	Bulb Shield	3 pcs
D	Bulb	3 pcs
E	Shade	3 pcs
F	Inner Backplate	1 pc
G	Fixture Body	1 pc



### WARNINGS AND CAUTIONS

#### WARNING:

- Before beginning the installation, turn off electricity at the circuit breaker box or the main fuse box by switching off the circuit breaker or removing the fuse.

#### CAUTION:

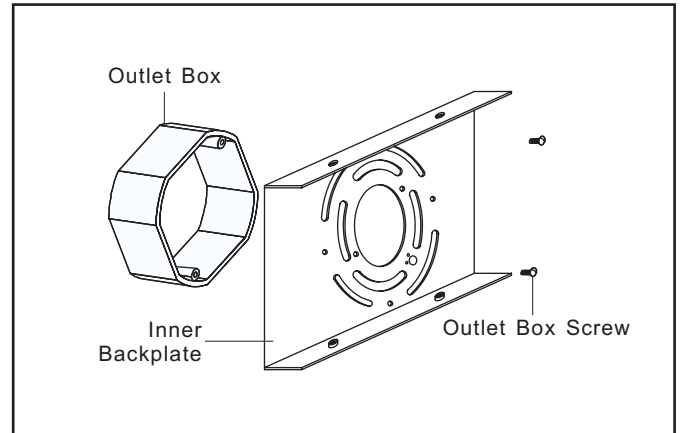
- These instructions are provided for your safety. It is very important that they are read completely before the installation of your fixture. We strongly recommend that a professional electrician install the fixture.
- Disconnect fixture from the power source before replacing the bulb(s), making sure that bulb(s) had sufficient time to cool down. DO NOT subject the lamp to any shock while lit as shattering of lamp may result.
- Do not touch the bulb with bare hands use a cloth or glove.

### PREPARATION

- Before beginning installation of product, make sure all parts are present. Compare parts with package contents list and diagram above. If any part is missing or damaged, do not attempt to assemble, install or operate the product. Contact customer service for replacement part.
- Estimated Assembly Time: 20 - 30 minutes
- Tool Required for Assembly (not included): Flathead screwdriver, Phillips screwdriver, Pliers, Electrical tape, Wire cutter, Safety glasses and (3)60W Frosted G9 Halogen bulbs (supplied).
- Helpful Tools (not included): Wire strippers.

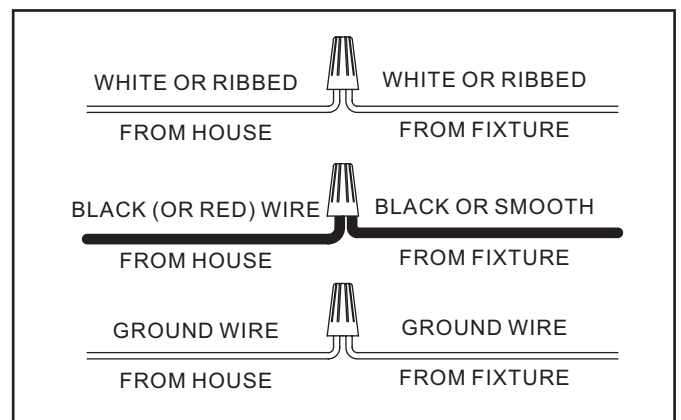
## STEP 1:

- a. Line up a set of holes on the Inner Backplate to the mounting holes on the Outlet Box. Thread the Outlet Box Screws into the mounting holes on the Outlet Box to secure the Inner Backplate. Hand-tighten until snug.



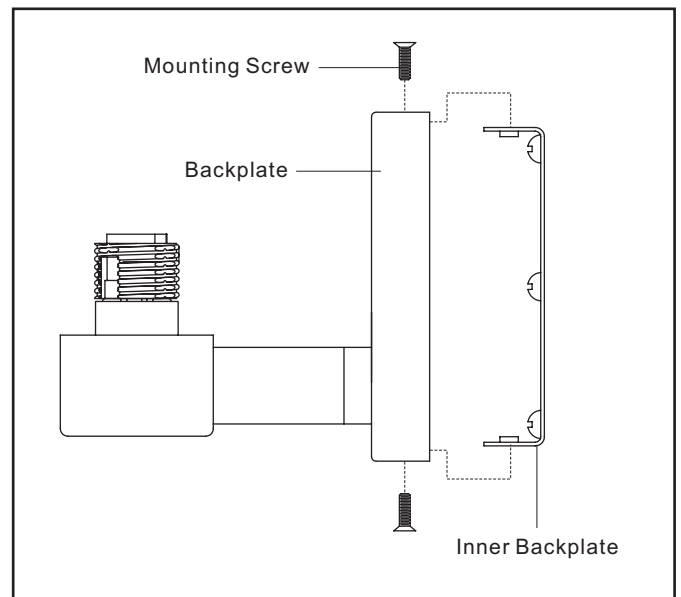
## STEP 2:

- ★ Use Wire Connectors (not supplied) to connect the wires.
- a. Connect the House Ground Wire to the Fixture Ground Wire.
  - b. Connect the House White (or Ribbed) Wire to the Fixture Supply Wire (Black or Smooth Side).
  - c. Connect the House Black (or Red) Wire to the Fixture Supply Wire (Black or Smooth Side).
  - d. Wrap each connection with approved electrical tape and carefully stuff all of the connected wires into the Outlet Box.



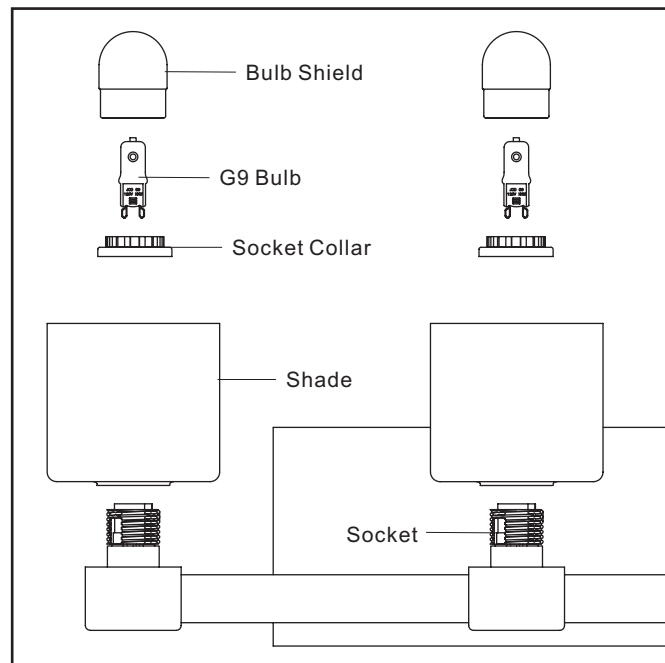
## STEP 3:

- a. Place the Backplate over the Inner Backplate and secure with Mounting Screws. Hand-tighten until snug with screwdrivers.



## STEP 4:

- A. Place the Shade over the Socket as shown. Secure by threading the Socket Collar onto the Socket. Hand-tighten until snug.
- b. Install the G9 Bulb (supplied) referring to fixture markings and/or labels for maximum wattage. **Please make sure the G9 Bulb is properly seated in the Socket.**  
**IMPORTANT:** Do not touch the bulb with bare hands use a cloth or glove.
- c. Thread the Bulb Shield onto the Socket and hand-tighten until snug.



Your installation is completed now. Restore electricity. Retain this sheet for future reference.