

Assembly Instruction Sheet #IS-Q1476F For Style Q1476F

Quoizel, Inc.
 6 Corporate Parkway
 Goose Creek, SC
 29445

Customer Service
 Phone 631.273.2700
 Fax 631.231.7102
 www. quoizel. com

Tools Required: None

Bulb Recommended: (1) Medium Base Bulb 100W Maximum

Estimated Assembly Time: 15-20 minutes

Preparation: Identify and inspect all parts before beginning installation. Check package content list and diagrams below to be sure all parts are present. If any parts are missing or damaged, do not attempt to assemble, install, or operate the fixture. Contact customer service for replacement parts.

Warnings and Cautions

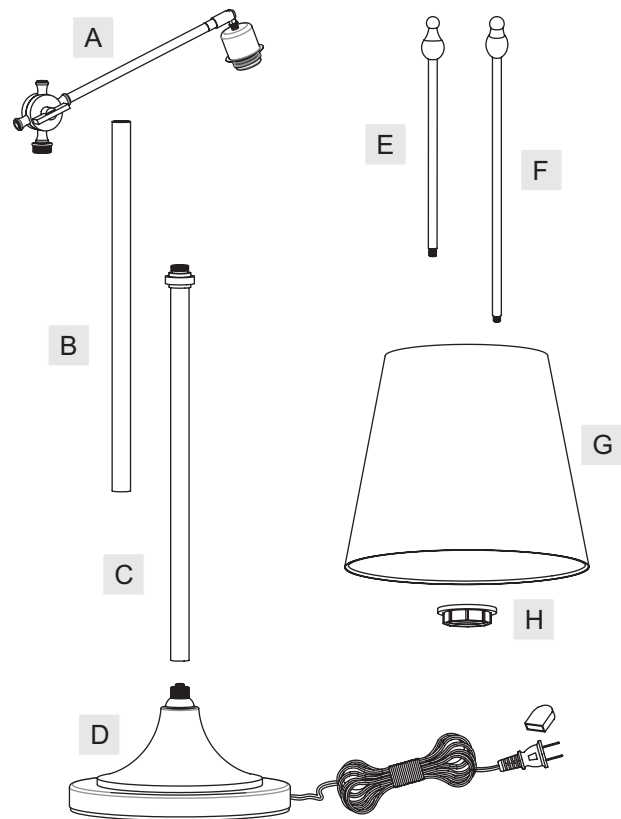
Turn off electricity at circuit breaker or main fuse box before installation. Consult a licensed electrician if in doubt.

These instructions are provided for your safety. It is very important you read them completely before installing the fixture. We strongly recommend that a licensed, professional electrician perform the installation.

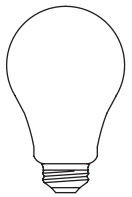
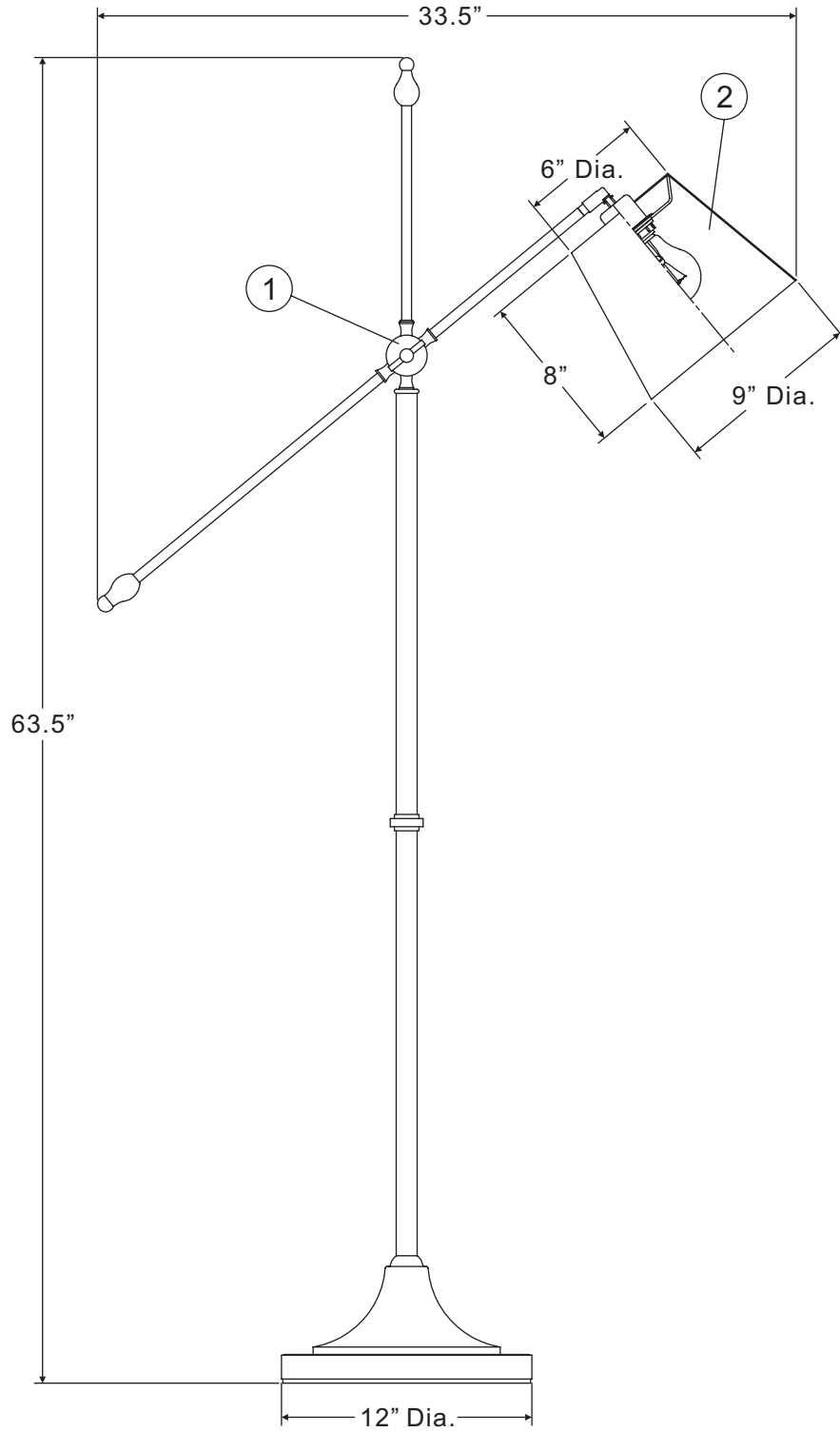
Disconnect fixture from power source before replacing bulbs. Make sure bulbs are given sufficient time to cool before removal. Do not subject glass parts to any shock while in operation or shattering may result.

Package Contents

Part	Description	Quantity
A	Socket Assembly	1 pc.
B	1" Dia. Rod	1 pc.
C	1" Dia. Rod with Nipple	1 pc.
D	Base	1 pc.
E	0.5" Dia. Rod Short	1 pc.
F	0.5" Dia. Rod Long	1 pc.
G	Shade	1 pc.
H	Socket Collar	1 pc.



Thank you for purchasing a Quoizel product.
Need assistance with parts or assembly? Call Quoizel customer service at 1-631-273-2700
or visit us on-line at www. quoizel. com



(1) 100W Medium Base Bulb (Not Supplied)

NOTE: ALL DIMENSIONS ARE ROUNDED UP TO THE NEAREST 1/2"

NO.	PART NUMBER	REPLACEMENT PART DESCRIPTION	REQ.
1	11476FQ	BASE FOR Q1476F	1
2	S1417WL	SHADE FABRIC WHITE LINEN 9"D	1

STEP 1 – Assemble Socket Assembly, Rods and Base

- A. Thread the Socket Assembly (A), the 1" Dia. Rod (B), the 1" Dia. Rod with Nipple (C) and the Base (D) together as shown. Hand tighten until snug.

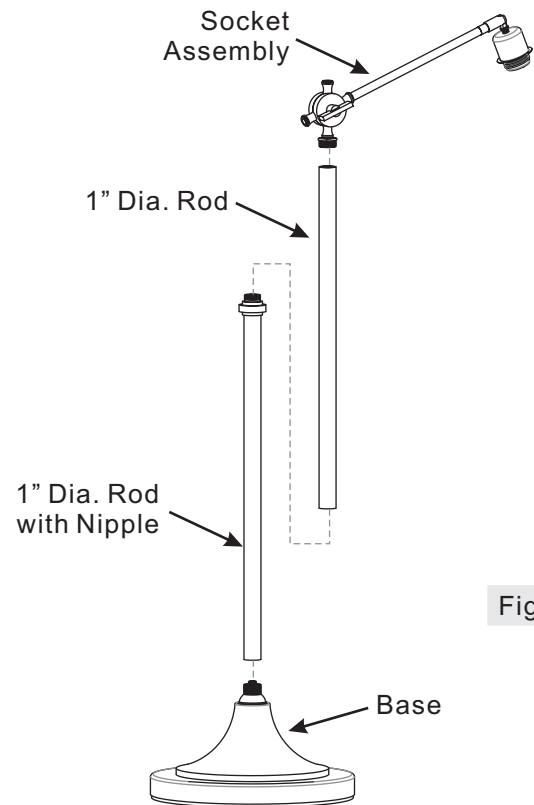


Figure 1

STEP 2 – Assemble 0.5" Rods

- A. Thread the 0.5" Dia. Rod Short (E) and the 0.5" Dia. Rod Long (F) to the Socket Assembly (A) as shown. Hand tighten until snug.

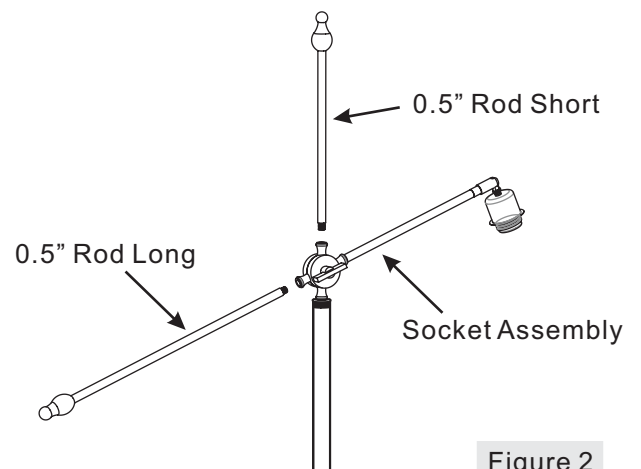


Figure 2

Thank you for purchasing a Quozel product.

Need assistance with parts or assembly? Call Quozel customer service at 1-631-273-2700 or visit us on-line at www. quozel. com

STEP 3 – Assemble Shade

- A. Place the Shade (G) over the Socket and secure with the Socket Collar (H). Hand tighten until snug.

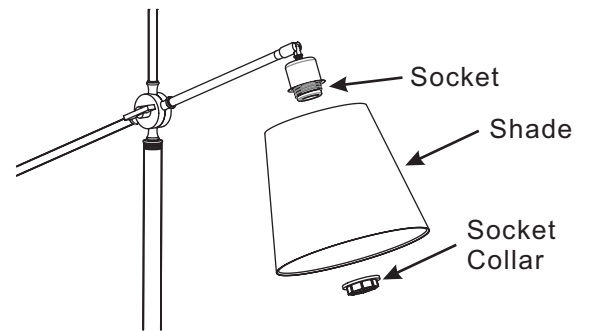


Figure 3

STEP 4 – Install Bulb

- A. This fixture uses standard bulb with medium screw base. Maximum 100 watts.
B. Insert bulb and screw snugly into place.

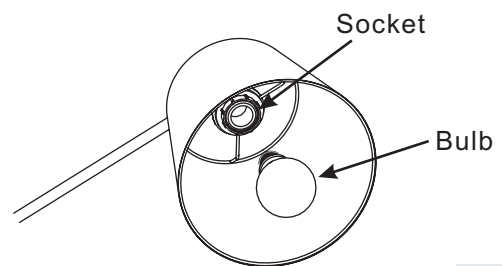


Figure 4

STEP 5 – Adjust Shade Direction

- A. Adjust the Shade to your desired direction by adjusting the Swivel and the Adjusting Button.

Your fixture is now assembled and ready to use. Enjoy!

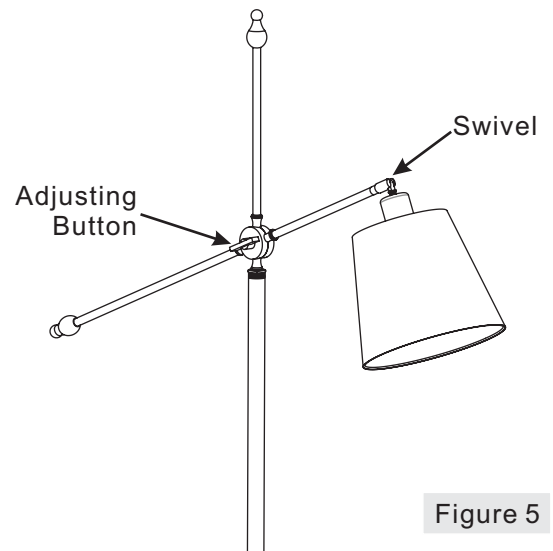


Figure 5

**Thank you for purchasing a Quoizel product.
Need assistance with parts or assembly? Call Quoizel customer service at 1-631-273-2700
or visit us on-line at www. quoizel. com**