

# Assembly Instruction Sheet #IS-QR1418BN

## For Style QR1418BN

Quozel, Inc.  
 6 Corporate Parkway  
 Goose Creek, SC  
 29445

Customer Service  
 Phone 631.273.2700  
 Fax 631.231.7102  
 www. quozel. com

**Tools Required:** Flathead screwdriver, Phillips screwdriver, pliers, gloves, safety glasses.

**Bulb Recommended:** None.

**Estimated Assembly Time:** 20-30 minutes

**Preparation:** Identify and inspect all parts before beginning installation. Check package content list and diagrams below to be sure all parts are present. If any parts are missing or damaged, do not attempt to assemble, install, or operate the mirror. Contact customer service for replacement parts.

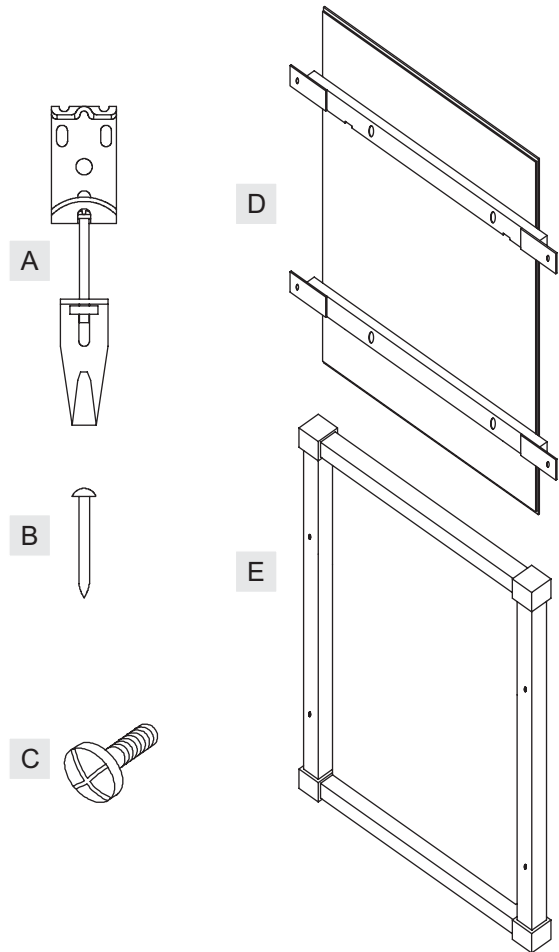


### Warnings and Cautions

These instructions are provided for your safety. It is very important you read them completely before installing the mirror. We strongly recommend that a licensed, professional electrician perform the installation.

### Package Contents

Part	Description	Quantity
A	Mirror Hanger	2 pcs
B	Hanger Nail	4 pcs
C	Lock Screw	4 pcs
D	Mirror with Backing	1 pc
E	Mirror Frame	1 pc

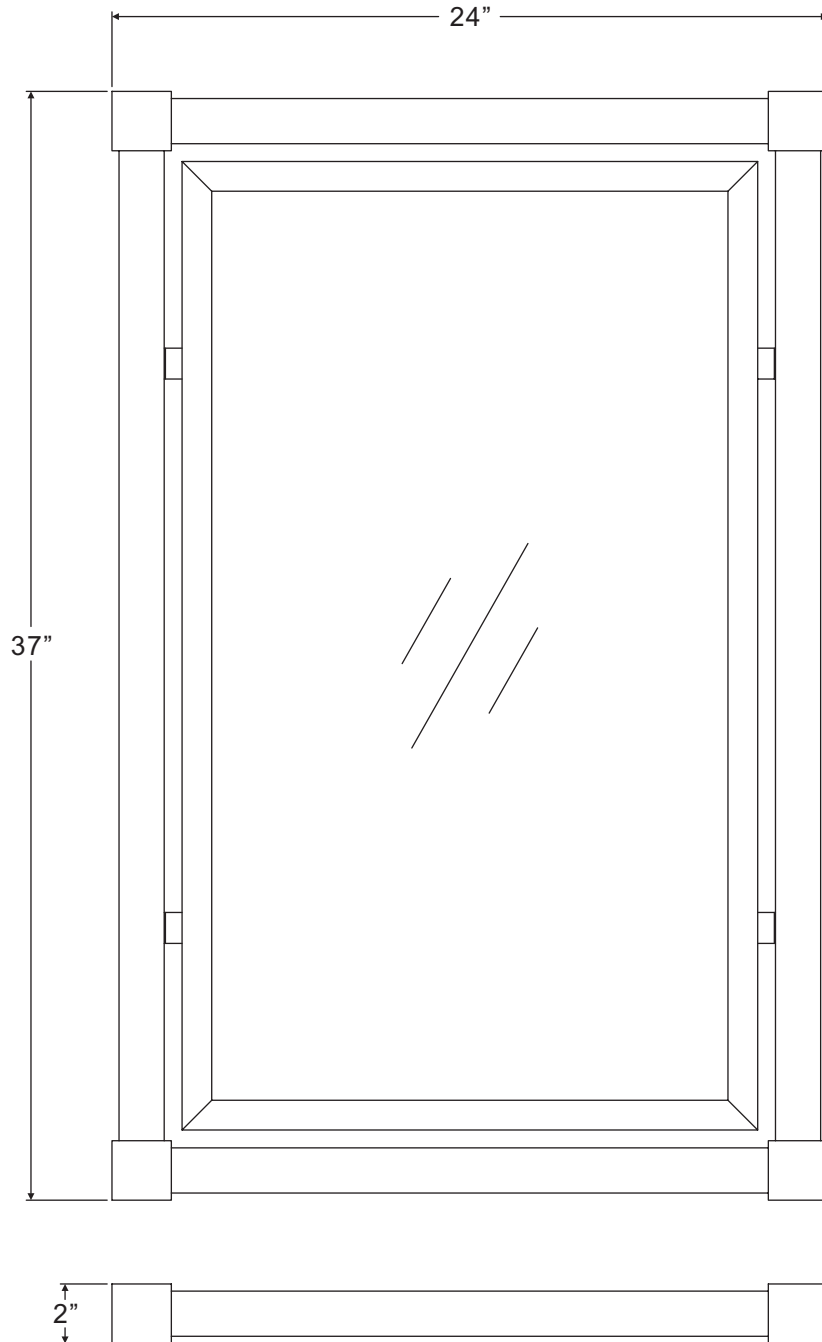
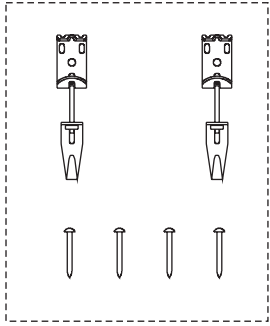


Thank you for purchasing a Quozel product.

Need assistance with parts or assembly? Call Quozel customer service at 1-631-273-2700  
 or visit us on-line at [www. quozel. com](http://www. quozel. com)

QR1418BN

FINISH: BRUSHED NICKEL

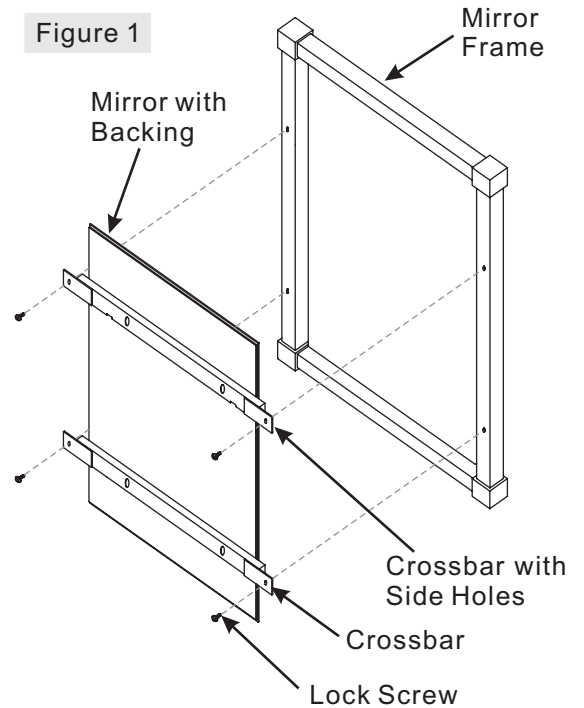


NOTE: ALL DIMENSIONS ARE ROUNDED UP TO THE NEAREST 1/2"

NO.	PART NUMBER	REPLACEMENT PART DESCRIPTION	REQ.
1			

**STEP 1 – Attach Mirror with Backing to Mirror Frame**

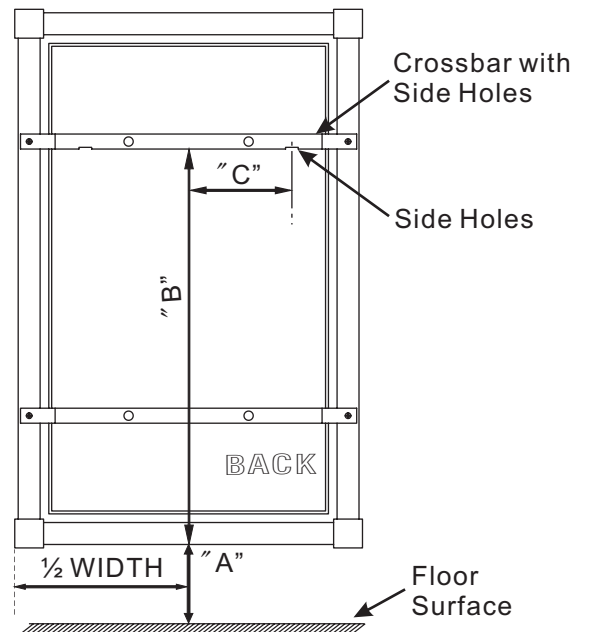
- A. Place the Mirror Frame (E) onto a flat working surface with backing facing you.
- B. Place the Mirror with Backing (D) onto the back of the Mirror Frame (E). Please make sure the Side Holes on the Crossbar against the Crossbar during assembly.
- C. Thread Lock Screws (C) into Mounting Holes on the back of the Mirror Frame (E) to secure Mirror with Backing (D). Hand tighten until snug.



**FOR VERTICAL**

**STEP 2 – Mark Points for Mirror Hangers**

- A. Lift and position where the Mirror will reside on the wall surface and with a tape measure, mark distance from floor to the bottom edge of the frame with a pencil. Mark should be located at a point representing ½ of mirror width.
- B. Place the Mirror on a flat surface with back facing you. Measure the distance from the bottom edge of the Mirror Frame to the bottom edge of the Crossbar with Side Holes. This represents distance "B" in the illustration.
- C. With tape measure, add this distance to Mark "A" on wall surface and mark with pencil.
- D. Measure distance between the centerline of (2) Side Holes on the Crossbar. Add this ½ distance from Mark "B" on each side and mark with pencil. (Distance "C" in the illustration)
- E. Measure 3" up from Mark "C" and mark. These marks are locators for the (2) Mirror Hangers. Check for marks straightness with level.



**Figure 2**

**Thank you for purchasing a Quozel product.**  
**Need assistance with parts or assembly? Call Quozel customer service at 1-631-273-2700**  
**or visit us on-line at www. quozel. com**

# Assembly Instruction Sheet #IS-QR1418BN

## For Style QR1418BN

### STEP 3 – Locate Mirror Hangers and Mirror

- Locate Mirror Hangers (A) and align the top center with 3" Locator mark. Secure them to wall surface with Hanger Nails (B). **Please be noted that the Mirror Hangers are fully adjustable allowing for easy leveling.**
- With Mirror Hangers properly installed, be sure that the (2) Bracket Catches are approximately equal in length from the top of Mirror Hangers (A). Adjust overall length with Adjustment Screws.
- With the help of another person, pass the Side Holes on the Crossbar at the back of the Mirror over the Mirror Hangers (A) so that the Crossbar rests on the inside of the Bracket Catches.

Clean glass with household glass cleaner. Retain this sheet for future reference.

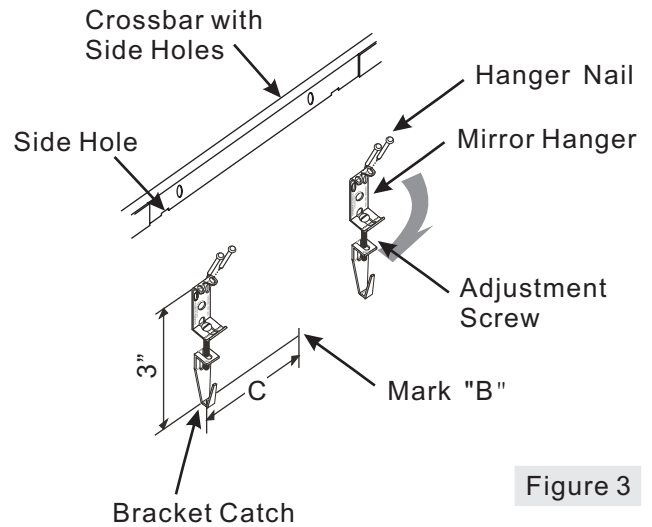


Figure 3

### FOR HORIZONTAL

### STEP 4 – Mark Points for Mirror Hangers

- Lift and position where the Mirror will reside on the wall surface and with a tape measure, mark distance from floor to the bottom edge of the frame with a pencil. Mark should be located at a point representing  $\frac{1}{2}$  of mirror width.
- Place the Mirror on a flat surface with back facing you. Draw a line from the top quarter of the Hanging Holes on the Crossbars. Measure the distance from the bottom edge of the Mirror Frame to the line. This represents distance "B" in the illustration.
- With tape measure, add this distance to Mark "A" on wall surface and mark with pencil.
- Measure distance between center line of the two Hanging Holes. Add this  $\frac{1}{2}$  distance from Mark "B" on each side and mark with pencil. (Distance "C" in the illustration)
- Measure 3" up from Mark "C" and mark. These marks are locators for the (2) Mirror Hangers. Check for marks straightness with level.

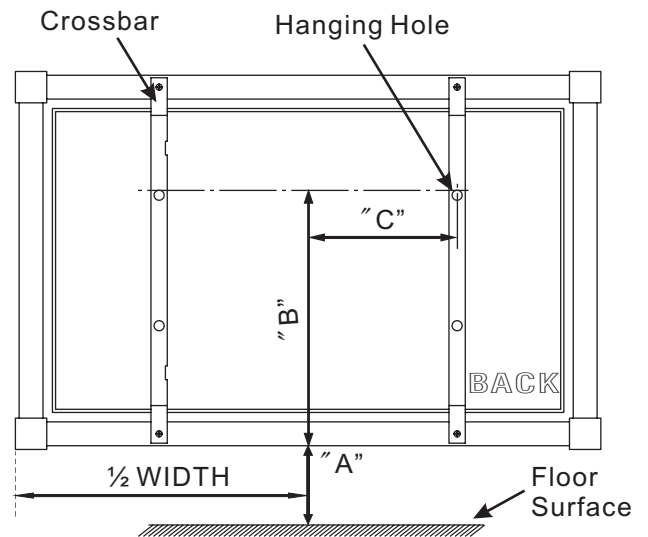


Figure 4

Thank you for purchasing a Quozel product.

Need assistance with parts or assembly? Call Quozel customer service at 1-631-273-2700  
 or visit us on-line at [www. quozel. com](http://www. quozel. com)

### STEP 5 – Locate Mirror Hangers and Mirror

- A. Locate Mirror Hangers (A) and align the top center with 3" Locator mark. Secure them to wall surface with Hanger Nails (B). **Please be noted that the Mirror Hangers are fully adjustable allowing for easy leveling.**
- B. With Mirror Hangers properly installed, be sure that the (2) Bracket Catches are approximately equal in length from the top of Mirror Hangers (A). Adjust overall length with Adjustment Screws.
- C. With the help of another person, pass the Hanging Holes on the Crossbars over the Mirror Hangers so that the Crossbars rest on the inside of the Bracket Catches.

Clean glass with household glass cleaner. Retain this sheet for future reference.

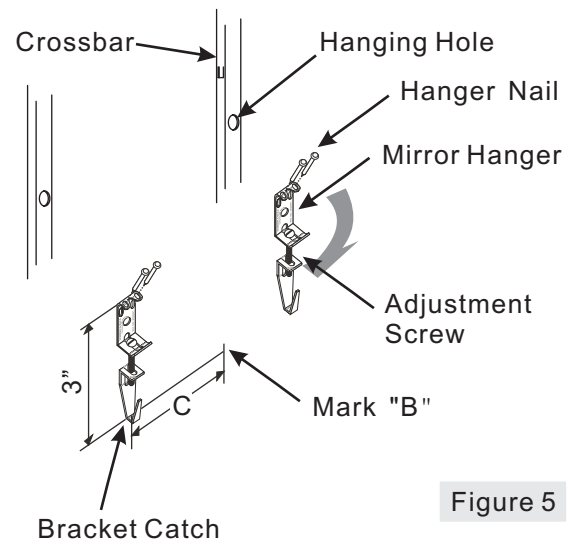


Figure 5

Thank you for purchasing a Quozel product.

Need assistance with parts or assembly? Call Quozel customer service at 1-631-273-2700  
or visit us on-line at [www. quozel. com](http://www. quozel. com)