

Quoizel, Inc.
6 Corporate Parkway
Goose Creek, SC
29445

Customer Service
Phone 631.273.2700
Fax 631.231.7102
www. quoizel. com

Assembly Instruction Sheet #IS-TF1486T For Style TF1486T

Tools Required: None

Bulb Recommended: (2) Medium Base 75W Maximum

Estimated Assembly Time: 15-20 minutes

Preparation: Identify and inspect all parts before beginning installation. Check package content list and diagrams below to be sure all parts are present. If any parts are missing or damaged, do not attempt to assemble, install, or operate the fixture. Contact customer service for replacement parts.



Warnings and Cautions

Turn off electricity at circuit breaker or main fuse box before installation. Consult a licensed electrician if in doubt.

These instructions are provided for your safety. It is very important you read them completely before installing the fixture. We strongly recommend that a licensed, professional electrician perform the installation.

Disconnect fixture from power source before replacing bulbs. Make sure bulbs are given sufficient time to cool before removal. Do not subject glass parts to any shock while in operation or shattering may result.



Care of Tiffany Style Shade

A new tiffany lamp shade has an oil film applied to the shade that protects the tiffany shade from scratches during shipment. If the oil applied is too heavy you can remove the excess oil film with a paper towel. Gently wipe away the excess oil.

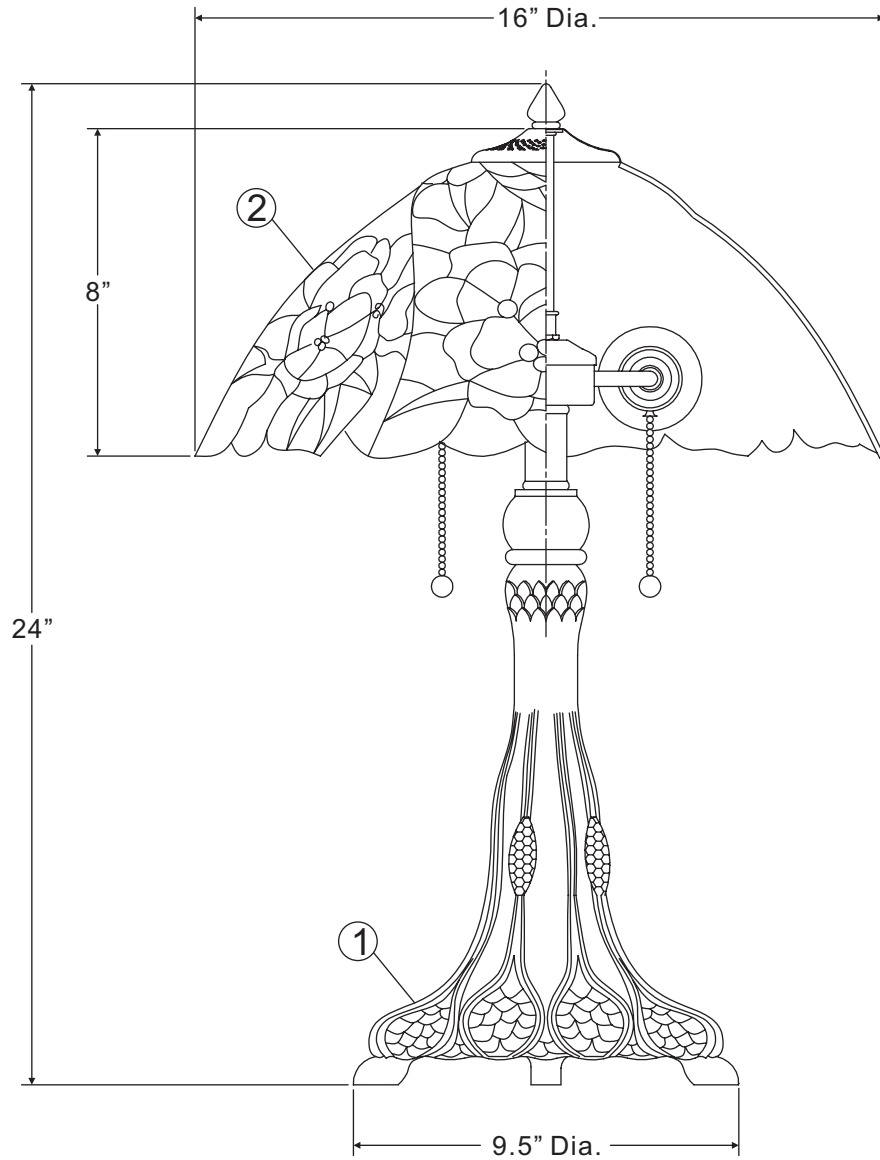
For general cleaning of tiffany shades use a gentle lemon oil-based furniture polish applied to a soft cloth and wipe gently.

If a white powder appears on the soldered joints of the tiffany shade this is a normal oxidation process. Use a small amount of lemon oil or mineral oil applied directly to oxidized areas and the soldered area will return to like new.

Thank you for purchasing a Quoizel product.
Need assistance with parts or assembly? Call Quoizel customer service at 1-631-273-2700
or visit us on-line at www. quoizel. com

TF1486T

FINISH: RUSSET



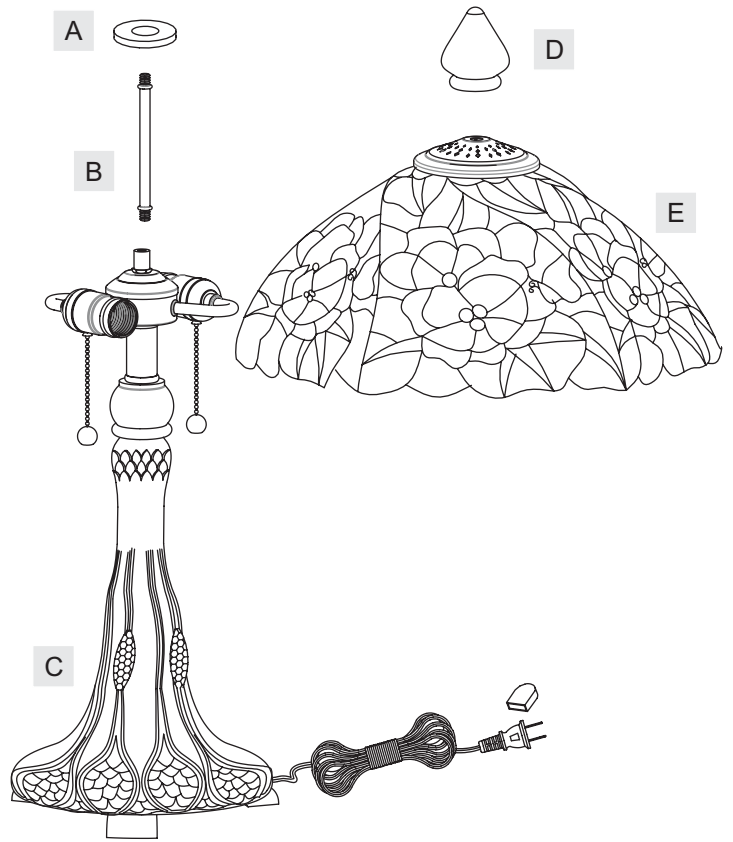
(2) 75W Medium
Base Bulbs
(Not Supplied)

NOTE: ALL DIMENSIONS ARE ROUNDED UP TO THE NEAREST 1/2"

NO.	PART NUMBER	REPLACEMENT PART DESCRIPTION	REQ.
1	11486TTF	BASE FOR TF1486T	1
2	G3509SH	TIFFANY SHADE 16.5"D	1

Package Contents

Part	Description	Quantity
A	Flat Washer	1 pc.
B	Stem	1 pc.
C	Base	1 pc.
D	Finial	1 pc.
E	Shade	1 pc.



Thank you for purchasing a Quoizel product.

**Need assistance with parts or assembly? Call Quoizel customer service at 1-631-273-2700
 or visit us on-line at www. quozel. com**

STEP 1 – Install Stem

- A. Thread one end of the Stem (B) into the Coupling on the top center of the Base (C). Hand tighten until snug.

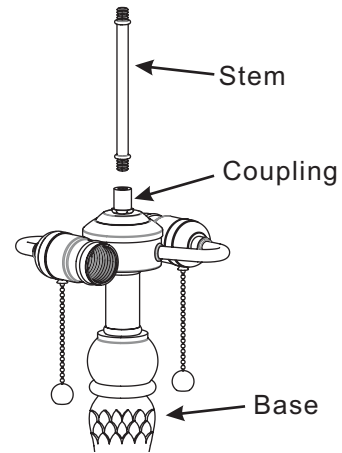


Figure 1

STEP 2 – Assemble Shade

- A. Place the Flat Washer (A) and the Shade (E) over the top end of the Stem (B) and secure with the Finial (D). Hand tighten until snug.

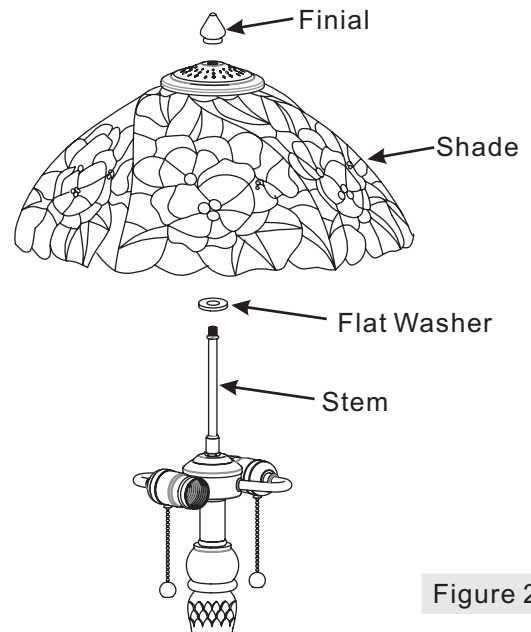


Figure 2

STEP 3 – Install Bulb

- A. This fixture uses standard bulbs with medium screw bases. Maximum 75 watts.
B. Insert bulb and screw snugly into place.

Your fixture is now assembled and ready to use. Enjoy!

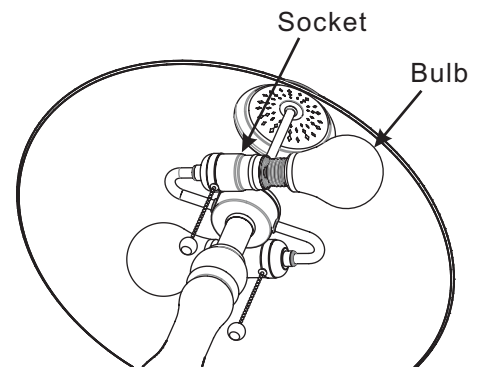


Figure 3

Thank you for purchasing a Quoizel product.
Need assistance with parts or assembly? Call Quoizel customer service at 1-631-273-2700
or visit us on-line at www. quozel. com