

Assembly Instruction Sheet #IS-QF1397RWT For Style QF1397RWT

Quozel, Inc.
 6 Corporate Parkway
 Goose Creek, SC
 29445

Customer Service
 Phone 631.273.2700
 Fax 631.231.7102
 www. quozel. com

Tools Required: Flathead screwdriver, Phillips screwdriver, pliers, wire cutters, wire strippers, electrical tape, safety glasses.

Bulb Recommended: (8) Medium Base 60W Maximum

Estimated Assembly Time: 20-30 minutes

Preparation: Identify and inspect all parts before beginning installation. Check package content list and diagrams below to be sure all parts are present. If any parts are missing or damaged, do not attempt to assemble, install, or operate the fixture. Contact customer service for replacement parts.



Warnings and Cautions

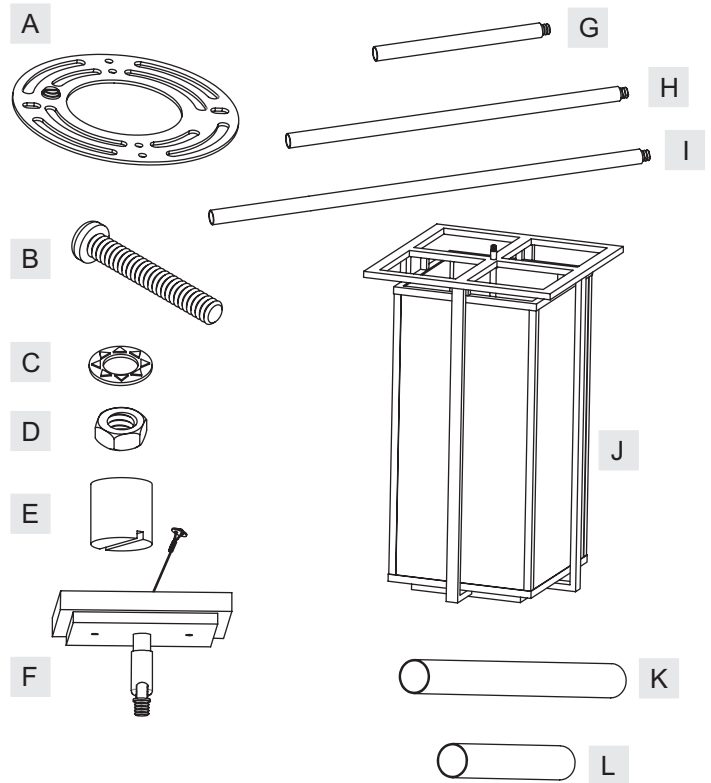
Turn off electricity at circuit breaker or main fuse box before installation. Consult a licensed electrician if in doubt.

These instructions are provided for your safety. It is very important you read them completely before installing the fixture. We strongly recommend that a licensed, professional electrician perform the installation.

Disconnect fixture from power source before replacing bulbs. Make sure bulbs are given sufficient time to cool before removal. Do not subject glass parts to any shock while in operation or shattering may result.

Package Contents

Part	Description	Quantity
A	Crossbar	1 pc.
B	Mounting Screw	2 pcs.
C	Lock Washer	2 pcs.
D	Hex Nut	2 pcs.
E	Mounting Ball	2 pcs.
F	Ceiling Canopy	1 pc.
G	6" Rod with Nipple	2 pcs.
H	12" Rod with Nipple	2 pcs.
I	24" Rod with Nipple	1 pc.
J	Socket Assembly	1 pc.
K	Long Candle Cover	4 pcs.
L	Short Candle Cover	4 pcs.

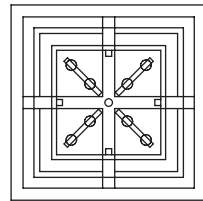
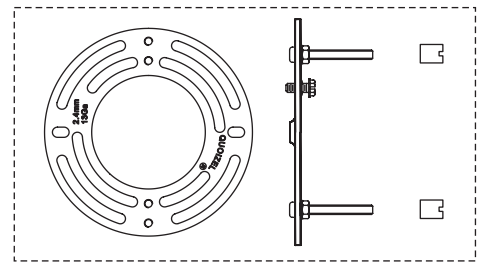
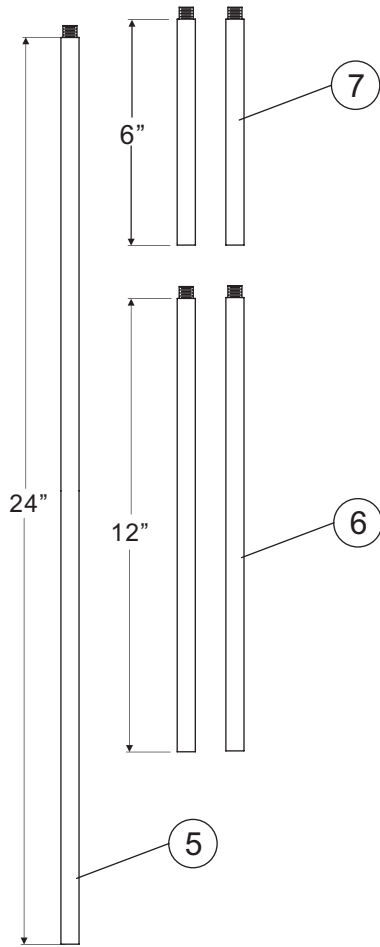


Thank you for purchasing a Quozel product.

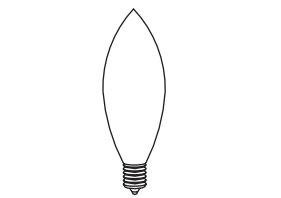
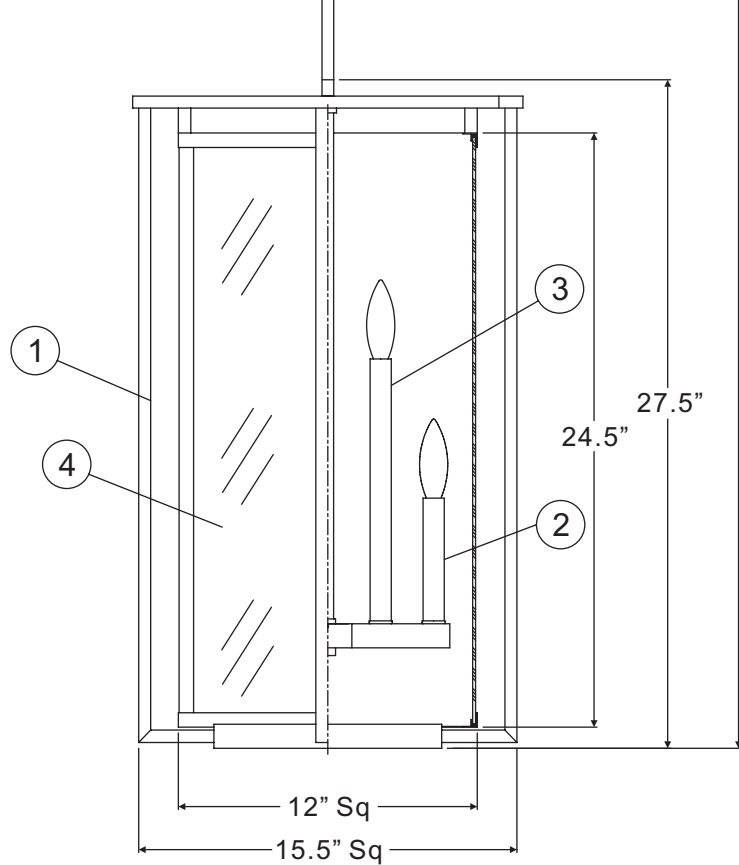
Need assistance with parts or assembly? Call Quozel customer service at 1-631-273-2700
 or visit us on-line at www. quozel. com

QF1397RWT

FINISH: WESTERN BRONZE



90"
OVERALL HEIGHT INCLUDES
(2) 6" AND 12" RODS
(1) 24" ROD



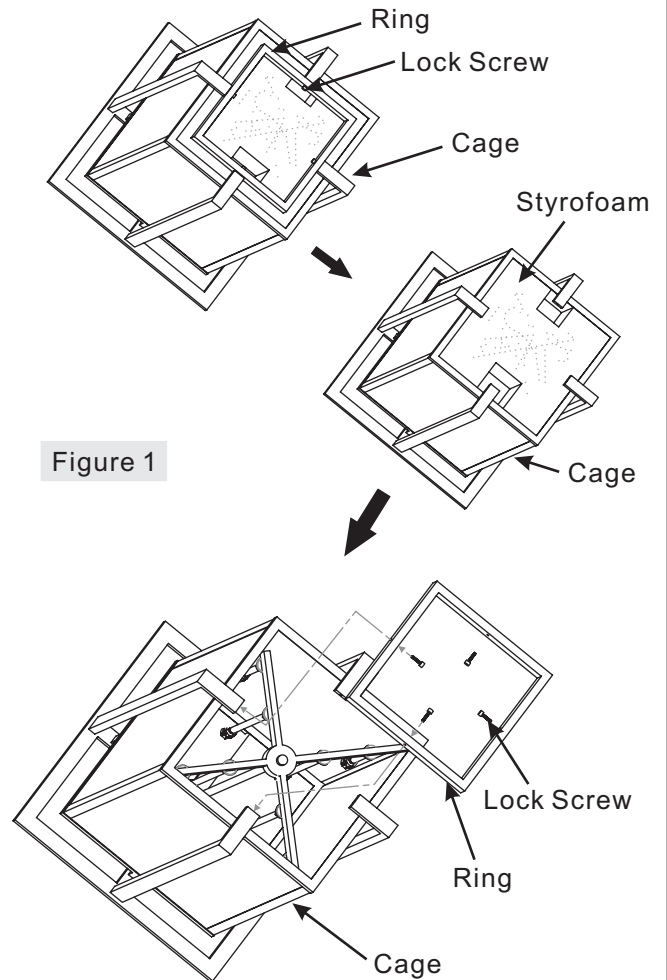
(8) 60W Candelabra
Base Bulbs
(No Supplied)

NOTE: ALL DIMENSIONS ARE ROUNDED UP TO THE NEAREST 1/2"

NO.	PART NUMBER	REPLACEMENT PART DESCRIPTION	REQ.
1	11397RWTQF	BASE QF1397RWT	1
2	M2383CCWT	CANDLE COVER WESTERN BRONZE 5.12"L	4
3	M2382CCWT	CANDLE COVER WESTERN BRONZE 10.75"L	4
4	G3415PA	PANEL GLASS CLEAR 11.65"W	4
5	9024EXWT	ROD EXTENSION WESTERN BRONZE 0.63D" X 24"L	1
6	9008EXWT	ROD EXTENSION WESTERN BRONZE 12"L X 0.63"D	2
7	9007EXWT	ROD EXTENSION WESTERN BRONZE 6"L X 0.63"D	2

STEP 1 – Remove Styrofoam inside of the Cage

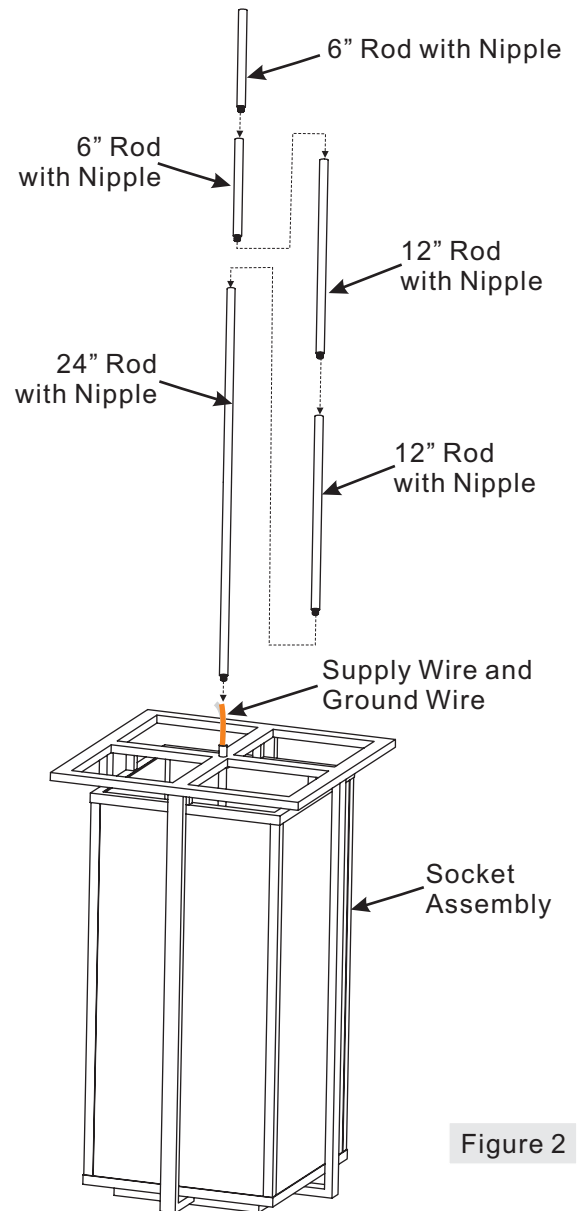
- A. Place the Cage onto a flat working surface with the bottom facing up. Remove the Ring from the bottom of the Cage by unscrewing Lock Screws.
- B. Remove Styrofoam inside the Cage.
- C. Attach the Ring back onto the bottom of the Cage and secure with Lock Screws. Hand tighten until snug.



Thank you for purchasing a Quozel product.
Need assistance with parts or assembly? Call Quozel customer service at 1-631-273-2700
or visit us on-line at www. quozel. com

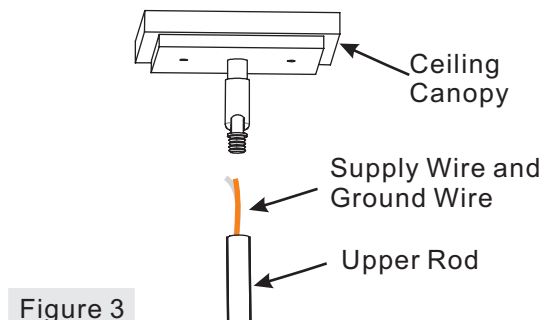
STEP 2 – Assemble Rods

- A. Determine the Rods (G/H/I) to be assembled to the Socket Assembly (J) according to your hanging height.
- B. Pass Supply Wires and Ground Wire through the chosen Rods (G/H/I), then thread the chosen Rods (G/H/I) and the Socket Assembly (J) together. Hand tighten until snug.



STEP 3 – Assemble Ceiling Canopy to Upper Rod

- A. Pass Supply Wires and Ground Wire through the Ceiling Canopy (F) and then thread the Ceiling Canopy (F) and the Upper Rod together. Hand tighten until snug.

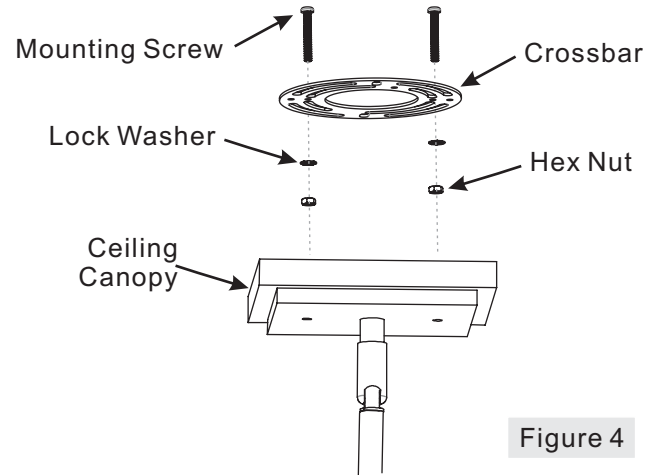


Thank you for purchasing a Quozel product.

Need assistance with parts or assembly? Call Quozel customer service at 1-631-273-2700
or visit us on-line at www. quozel. com

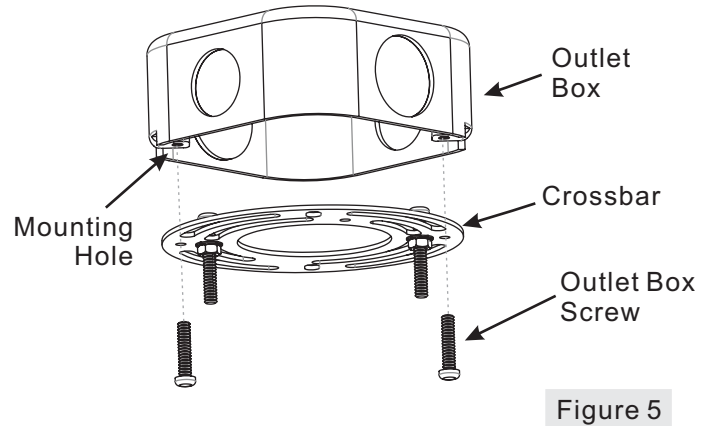
STEP 4 – Attach Mounting Screws, Lock Washers and Hex Nuts to Crossbar

- A. Line up a set of holes on the Crossbar (A) and Holes on the Ceiling Canopy (F).
- B. Thread Mounting Screws (B) into the holes on the Crossbar (A), pass Lock Washers (C) and thread Hex Nut (D) onto the Mounting Screws (B). Hand tighten until snug.



STEP 5 – Attach Crossbar to Outlet Box

- A. Attach the Crossbar (A) to Outlet Box and secure by threading Outlet Box Screws (not supplied) into the Mounting Holes on the Outlet Box. Tighten until snug.



Thank you for purchasing a Quozel product.

Need assistance with parts or assembly? Call Quozel customer service at 1-631-273-2700
or visit us on-line at www. quozel. com

STEP 6 – Attach Lanyard

- A. The purpose of the lanyard is to provide the installer a means to support the fixture from the junction box while connecting the electrical wires. This enables the fixture to hang from the junction box and your hands are free to make the wire connections.
- B. Turn the Button Stop so it may be inserted into the crossbar slot. Make sure the Button Stop is completely inside the crossbar. Slowly release the fixture to make sure it is supported by the Button Stop. Proceed to the wiring steps. Once you are complete with the wiring there is nothing to do with Lanyard. The Lanyard will push into the junction box when the fixture is placed for final mounting.

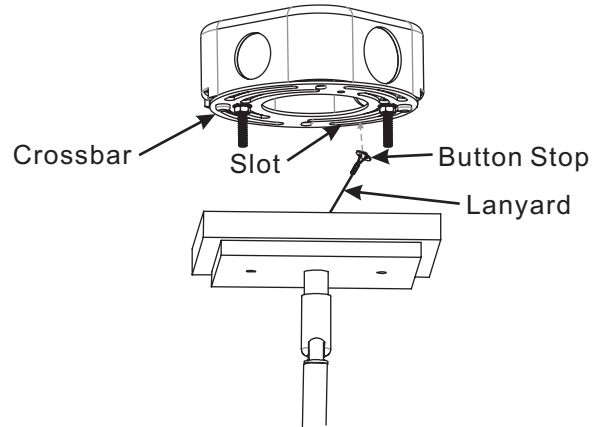


Figure 6

STEP 7 – Make Wire Connections

- A. Use standard wire connectors to make all wire connections. (Connectors are not included with fixture.) Strip and prepare wire ends according to instructions supplied with connectors.
- B. Connect White Supply Wire from the Outlet Box to White Wire from fixture.
- C. Connect Black (or Red) Supply Wire from the Outlet Box to Black Wire from fixture.
- D. Connect Ground Wire from the Outlet Box to Ground Wire from fixture.
- E. Twist connectors until wires are tightly joined together.
- F. Wrap each connection with approved electrical tape and carefully stuff all the connected wires into the Outlet Box.

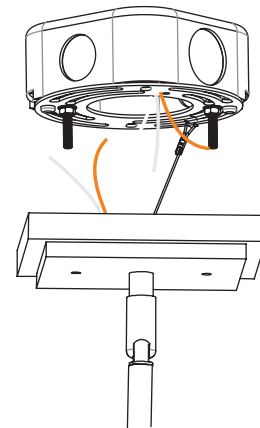


Figure 7

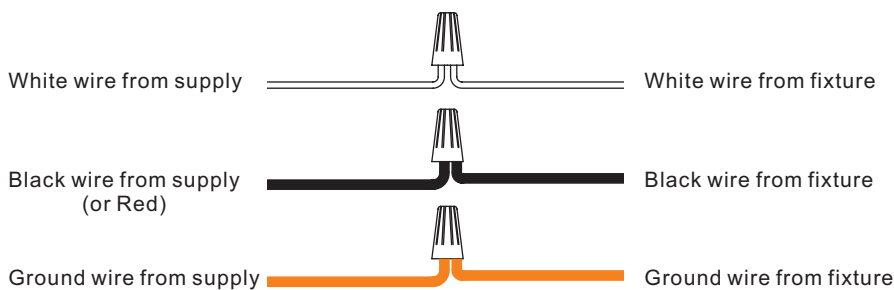
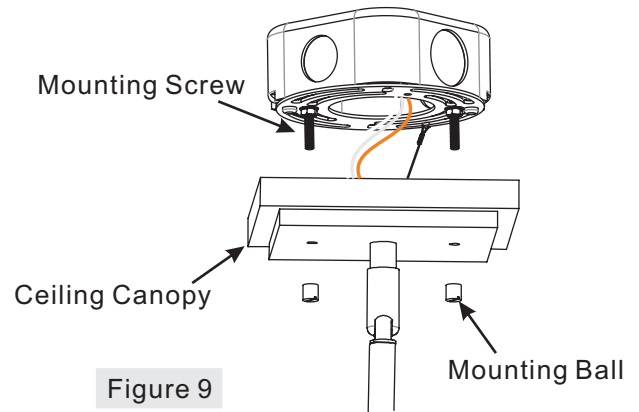


Figure 8

Thank you for purchasing a Quozel product.
Need assistance with parts or assembly? Call Quozel customer service at 1-631-273-2700
or visit us on-line at www. quozel. com

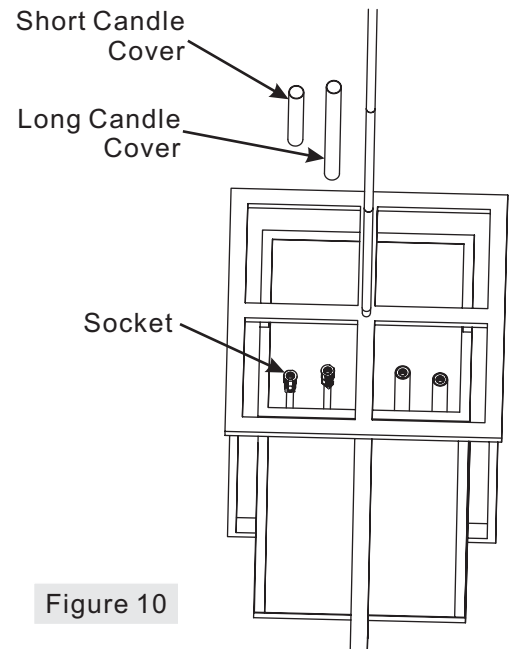
STEP 8 – Attach Ceiling Canopy to Mounting Screw

- A. Place the Ceiling Canopy (F) over the Mounting Screws (B) and secure with Mounting Balls (E). Hand tighten until snug.



STEP 9 – Attach Candle Cover

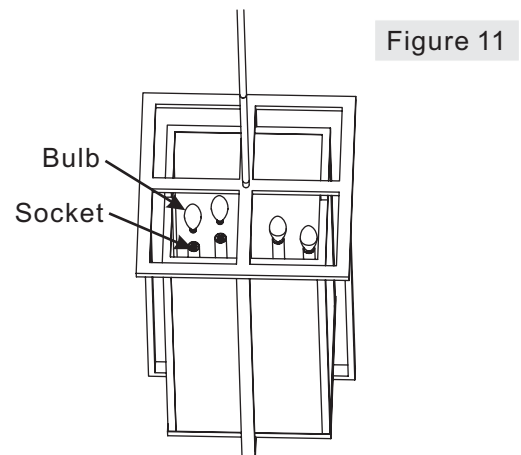
- A. Place Short Candle Cover (L) and Long Candle Cover (K) to Socket.



STEP 10 – Install Bulb

- A. This fixture uses candelabra bulbs with a screw base.
Maximum 60 watts.
B. Insert bulb and screw properly into place.

Your fixture is now assembled and ready to use.
Enjoy!



Thank you for purchasing a Quozel product.
Need assistance with parts or assembly? Call Quozel customer service at 1-631-273-2700
or visit us on-line at www. quozel. com