

Assembly Instruction Sheet #IS-REM5004C

For Style REM5004C

Quoizel, Inc.
 6 Corporate Parkway
 Goose Creek, SC
 29445

Customer Service
 Phone 631.273.2700
 Fax 631.231.7102
 www. quoizel. com

Tools Required: Flathead screwdriver, Phillips screwdriver, pliers, wire cutters, wire strippers, electrical tape, safety glasses.

Bulb Recommended: (4) Medium Base 75W Maximum

Estimated Assembly Time: 20-30 minutes

Preparation: Identify and inspect all parts before beginning installation. Check package content list and diagrams below to be sure all parts are present. If any parts are missing or damaged, do not attempt to assemble, install, or operate the fixture. Contact customer service for replacement parts.



Warnings and Cautions

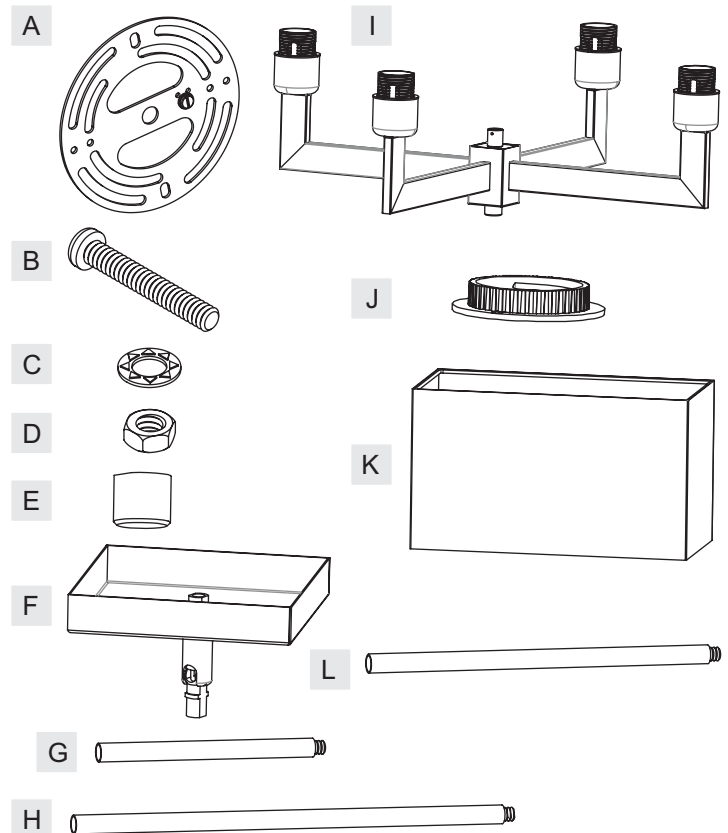
Turn off electricity at circuit breaker or main fuse box before installation. Consult a licensed electrician if in doubt.

These instructions are provided for your safety. It is very important you read them completely before installing the fixture. We strongly recommend that a licensed, professional electrician perform the installation.

Disconnect fixture from power source before replacing bulbs. Make sure bulbs are given sufficient time to cool before removal. Do not subject glass parts to any shock while in operation or shattering may result.

Package Contents

| Part | Description | Quantity |
|------|-----------------|----------|
| A | Crossbar | 1 pc. |
| B | Mounting Screw | 2 pcs. |
| C | Lock Washer | 2 pcs. |
| D | Hex Nut | 2 pcs. |
| E | Mounting Ball | 2 pcs. |
| F | Ceiling Canopy | 1 pc. |
| G | 6" Rod | 2 pcs. |
| H | 12" Rod | 2 pcs. |
| I | Socket Assembly | 1 pc. |
| J | Socket Collar | 4 pcs. |
| K | Shade | 4 pcs. |
| L | 10" Rod | 1 pc. |

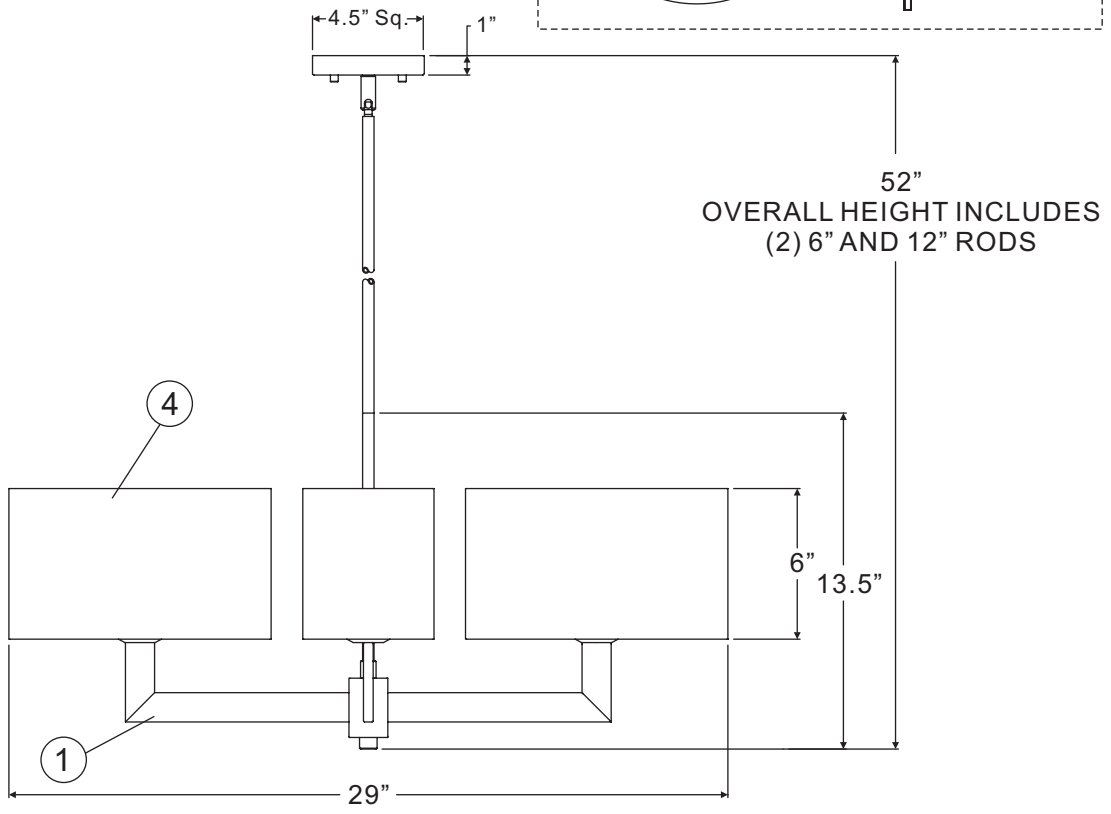
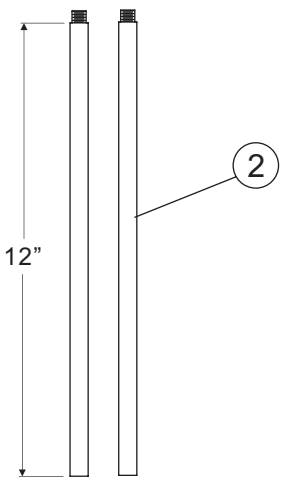
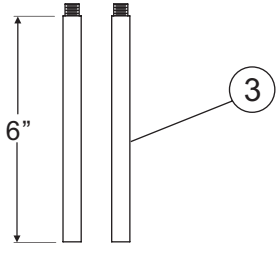
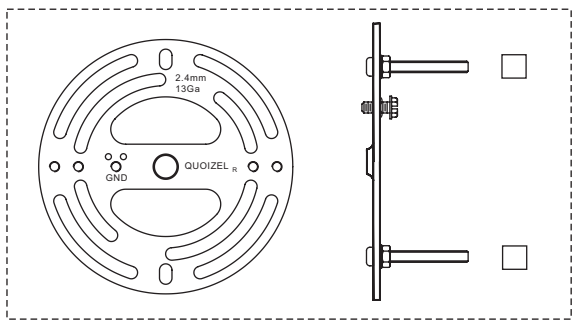


Thank you for purchasing a Quoizel product.

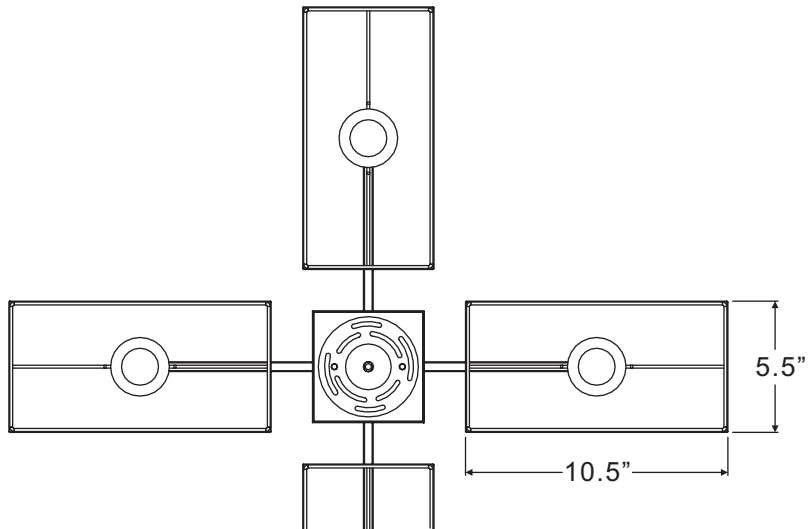
Need assistance with parts or assembly? Call Quoizel customer service at 1-631-273-2700
 or visit us on-line at www. quoizel. com

REM5004C

FINISH: POLISHED CHROME



52"
OVERALL HEIGHT INCLUDES
(2) 6" AND 12" RODS



(4) 75W Medium Base Bulbs
(Not Supplied)

NOTE: ALL DIMENSIONS ARE ROUNDED UP TO THE NEAREST 1/2"

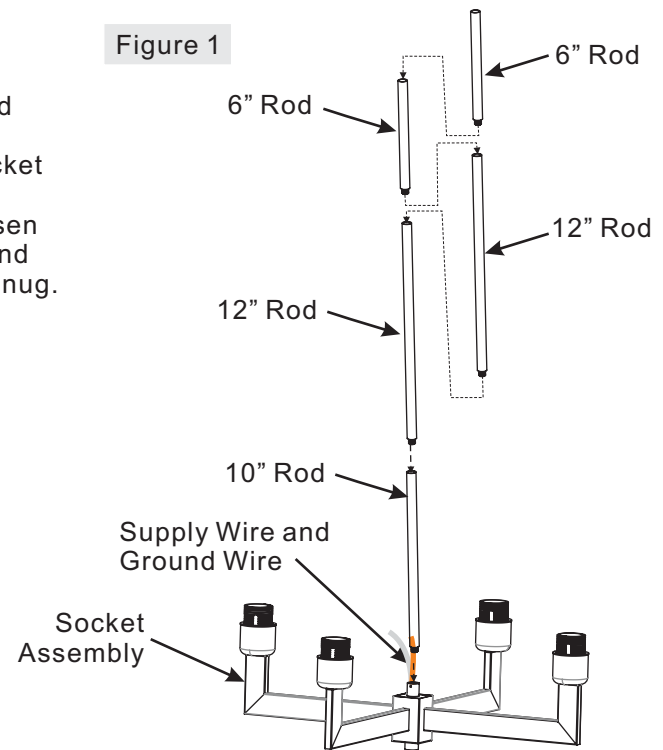
| NO. | PART NUMBER | REPLACEMENT PART DESCRIPTION | REQ. |
|-----|-------------|-------------------------------|------|
| 1 | 15004CREM | BASE POLISHED CHROME REM5004C | 1 |
| 2 | 9012EXC | EXTENSION ROD CHROME 12" | 2 |
| 3 | 9006EXC | EXTENSION ROD CHROME 6" | 2 |
| 4 | S1397WH | WHITE FABRIC SHADE REM5004C | 4 |

Assembly Instruction Sheet #IS-REM5004C

For Style REM5004C

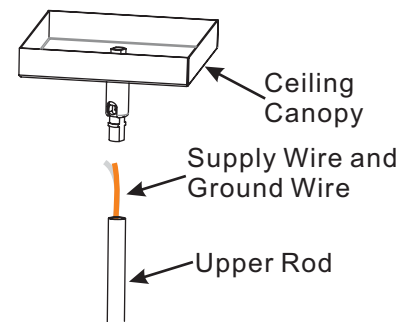
STEP 1 – Assemble Rods

- Thread 10" Rod (L) onto the Socket Assembly (I), hand tighten until snug.
- Determine the Rods (G/H) to be assembled to the Socket Assembly (I) according to your hanging height.
- Pass Supply Wires and Ground Wire through the chosen Rods (G/H) and then thread the chosen Rods (G/H) and the Socket Assembly (I) together. Hand tighten until snug.



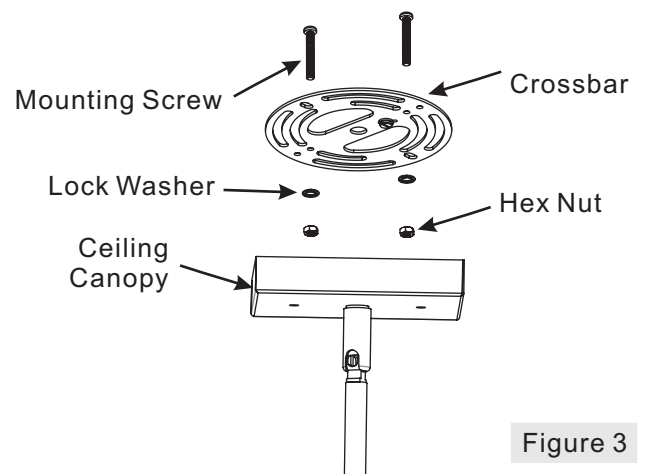
STEP 2 – Assemble Ceiling Canopy to Upper Rod

- Pass Supply Wires and Ground Wire through the Ceiling Canopy (F) and then thread the Ceiling Canopy (F) and the Upper Rod together. Hand tighten until snug.



STEP 3 – Attach Mounting Screws, Lock Washers and Hex Nuts to Crossbar

- Line up a set of holes on the Crossbar (A) and Holes on the Ceiling Canopy (F).
- Thread Mounting Screws (B) into the holes on the Crossbar (A), pass Lock Washers (C) and thread Hex Nut (D) onto the Mounting Screws (B). Hand tighten until snug.

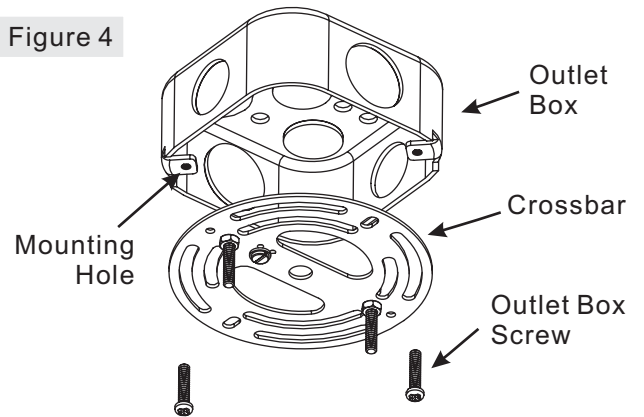


Thank you for purchasing a Quoizel product.
 Need assistance with parts or assembly? Call Quoizel customer service at 1-631-273-2700
 or visit us on-line at www.quoise.com

STEP 4 – Attach Crossbar to Outlet Box

- A. Attach the Crossbar (A) to Outlet Box and secure by threading Outlet Box Screws (not supplied) into the Mounting Holes on the Outlet Box. Tighten until snug.

Figure 4



STEP 5 – Make Wire Connections

- A. Use standard wire connectors to make all wire connections. (Connectors are not included with fixture.) Strip and prepare wire ends according to instructions supplied with connectors.
- B. Connect White Supply Wire from the Outlet Box to White Wire from fixture.
- C. Connect Black (or Red) Supply Wire from the Outlet Box to Black Wire from fixture.
- D. Connect Ground Wire from the Outlet Box to Ground Wire from fixture.
- E. Twist connectors until wires are tightly joined together.
- F. Wrap each connection with approved electrical tape and carefully stuff all the connected wires into the Outlet Box.

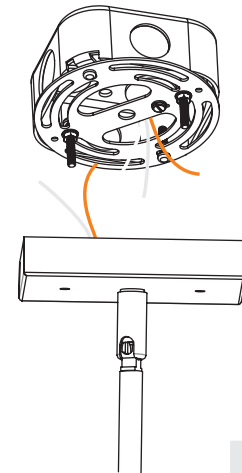


Figure 5

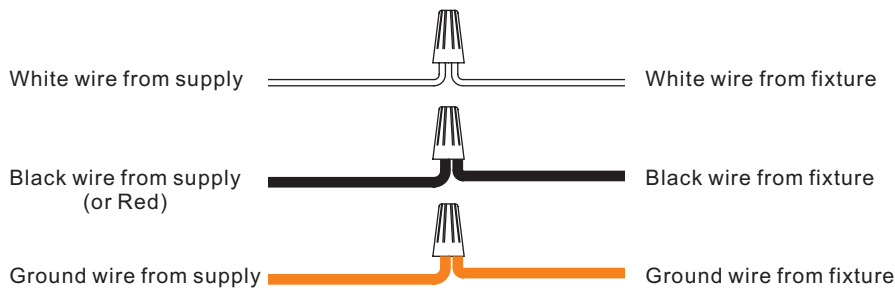
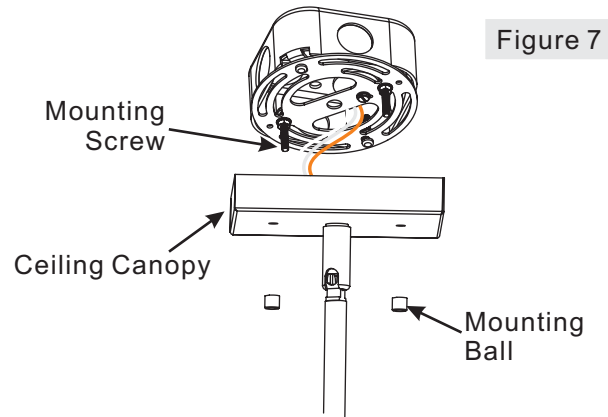


Figure 6

Thank you for purchasing a Quozel product.
Need assistance with parts or assembly? Call Quozel customer service at 1-631-273-2700
or visit us on-line at www. quozel. com

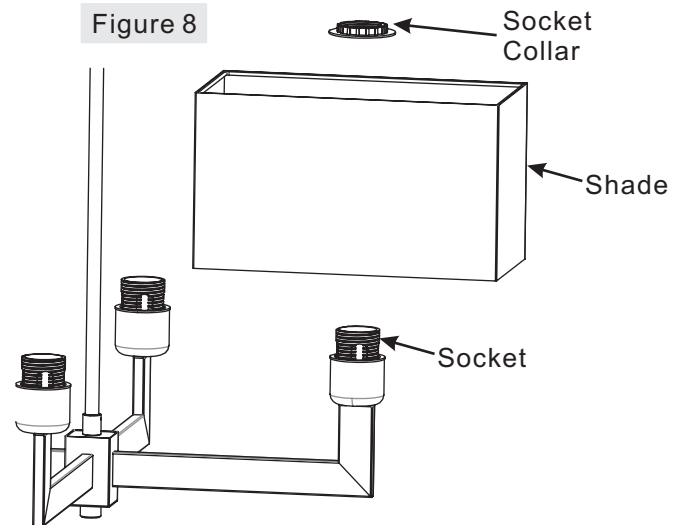
STEP 6 – Attach Ceiling Canopy to Mounting Screw

- A. Place the Ceiling Canopy (F) over the Mounting Screws (B) and secure with Mounting Balls (E). Hand tighten until snug.



STEP 7 – Install Shade to fixture

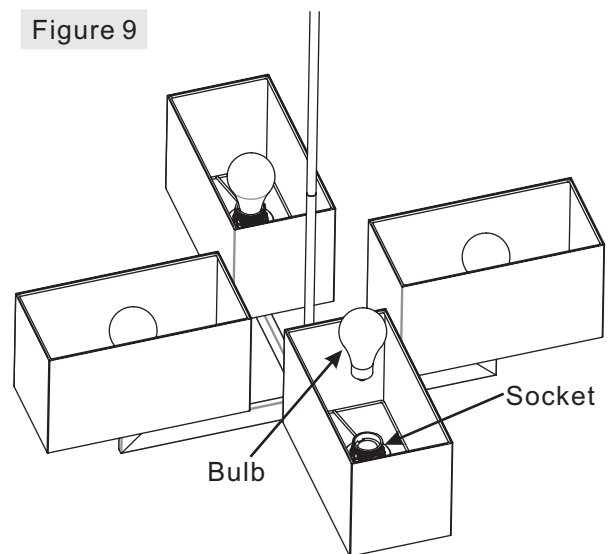
- A. Place Shade (K) over Socket, thread the Socket Collar (J) onto Socket. Hand tighten until snug.



STEP 8 – Install Bulb

- A. This fixture uses standard bulb with a standard screw base. Maximum 75 watts.
B. Insert bulb and screw properly into place.

Your fixture is now assembled and ready to use.
Enjoy!



Thank you for purchasing a Quozel product.
Need assistance with parts or assembly? Call Quozel customer service at 1-631-273-2700
or visit us on-line at www. quozel. com