

# Assembly Instruction Sheet #IS-CKSY9370DL

## For Style CKSY9370DL

Quoizel, Inc.  
 6 Corporate Parkway  
 Goose Creek, SC  
 29445

Customer Service  
 Phone 631.273.2700  
 Fax 631.231.7102  
 www.quoizel.com

**Tools Required:** None

**Bulb Recommended:** (1) Medium Base (3-Way) 150W Maximum

**Estimated Assembly Time:** 15-20 minutes

**Preparation:** Identify and inspect all parts before beginning installation. Check package content list and diagrams below to be sure all parts are present. If any parts are missing or damaged, do not attempt to assemble, install, or operate the fixture. Contact customer service for replacement parts.



### Warnings and Cautions

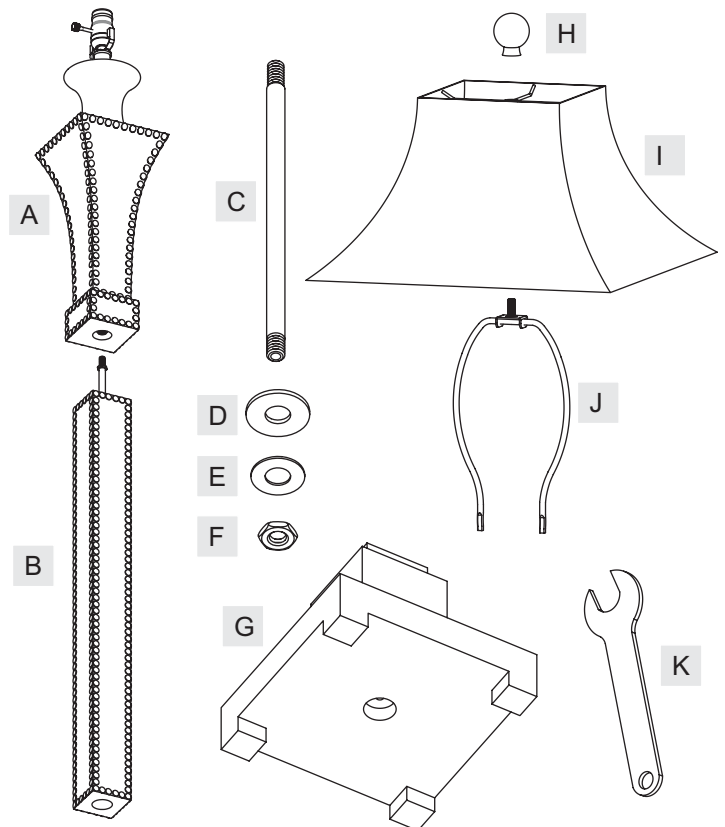
Turn off electricity at circuit breaker or main fuse box before installation. Consult a licensed electrician if in doubt.

These instructions are provided for your safety. It is very important you read them completely before installing the fixture. We strongly recommend that a licensed, professional electrician perform the installation.

Disconnect fixture from power source before replacing bulbs. Make sure bulbs are given sufficient time to cool before removal. Do not subject glass parts to any shock while in operation or shattering may result.

### Package Contents

Part	Description	Quantity
A	Socket Assembly	1 pc.
B	Center Column with Stem	1 pc.
C	Stem	1 pc.
D	Big Washer	1 pc.
E	Small Washer	1 pc.
F	Hex Nut	1 pc.
G	Base	1 pc.
H	Finial	1 pc.
I	Shade	1 pc.
J	Harp	1 pc.
K	Wrench	1 pc.

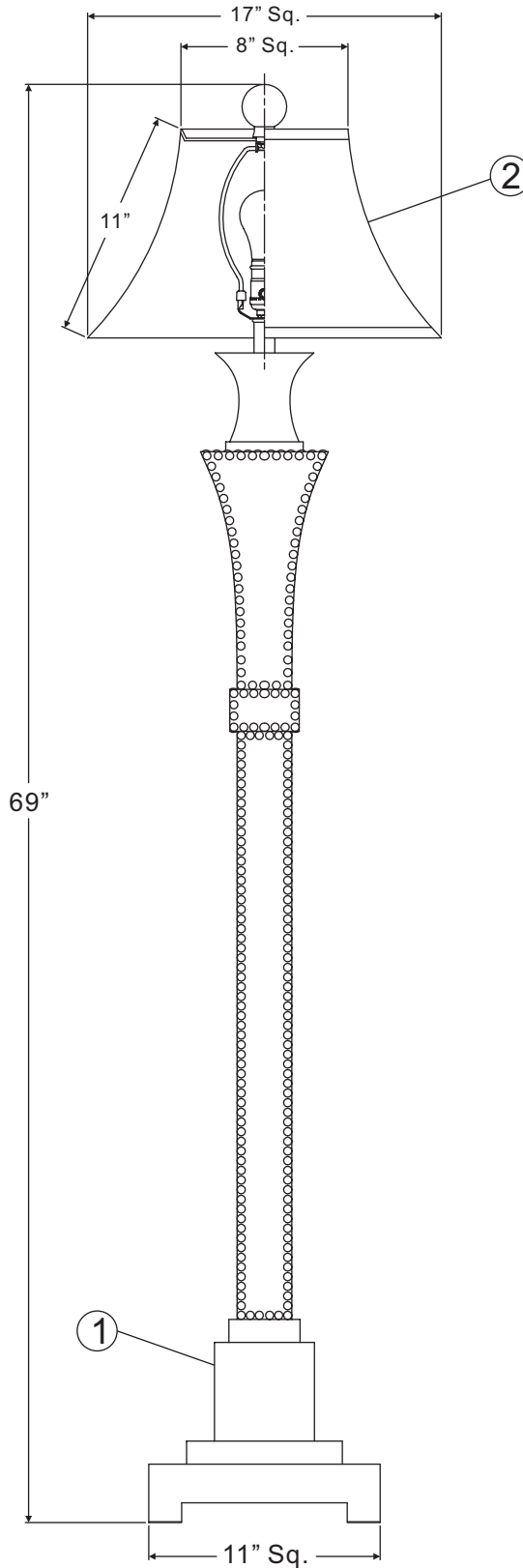


Thank you for purchasing a Quoizel product.

Need assistance with parts or assembly? Call Quoizel customer service at 1-631-273-2700  
 or visit us on-line at [www.quoizel.com](http://www.quoizel.com)

CKSY9370DL

FINISH: DARK CINNAMON LEATHER



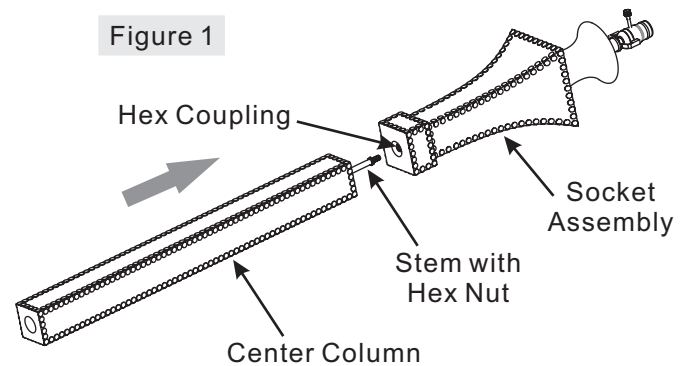
(1) 150W Medium Base (3-Way) Bulb (Not Supplied)

NOTE: ALL DIMENSIONS ARE ROUNDED UP TO THE NEAREST 1/2"

NO.	PART NUMBER	REPLACEMENT PART DESCRIPTION	REQ.
1	19370DLCKSY	BASE DARK CINNAMON LEATHER CKSY9370DL	1
2	S1429TN	TAN FABRIC SHADE 17" SQ	1

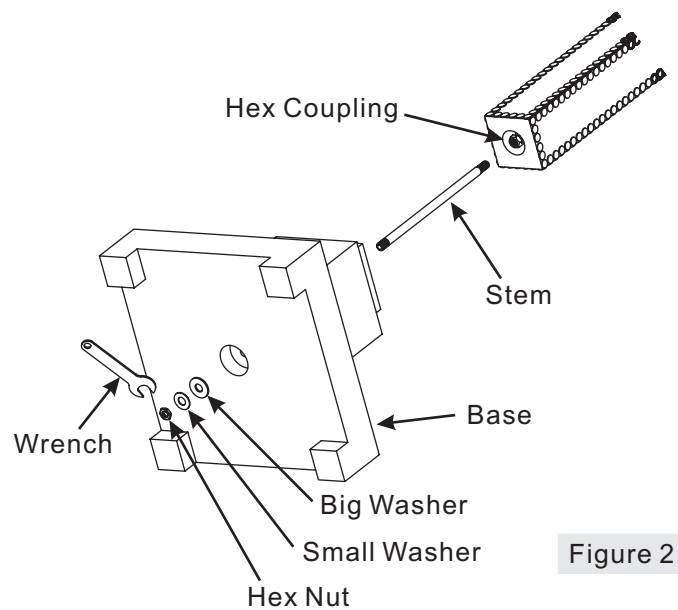
### STEP 1 – Attach Center Column with Stem to Socket Assembly

- A. Thread the Stem with Hex Nut into the Hex Coupling in the end of the Socket Assembly (A). Hand tighten until snug.
- B. Attache the Center Column (B) to the bottom end of the Socket Assembly (A).



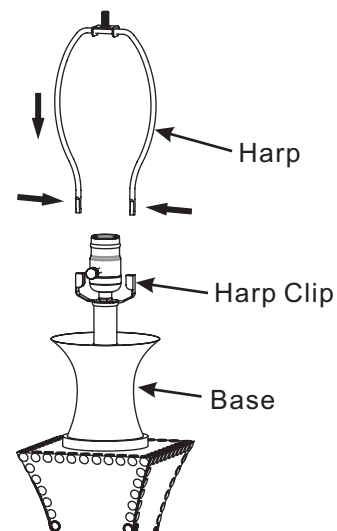
### STEP 2 – Attach Base to Center Column

- A. Thread the Stem (C) into the Hex Coupling in the bottom of the Center Column (B). Hand tighten until snug.
- B. Pass the Base (G), the Big Washer (D) and the Small Washer (E) over the end of the Stem (C) in turn. By using the Wrench (K), thread the Hex Nut (F) onto the Stem (C) to secure the above parts together. Hand tighten until snug.



### STEP 3 – Install the Harp

- A. Install the Harp (J) by pressing the ends of the Harp (J) into the Harp Clips as shown.



Thank you for purchasing a Quozel product.  
Need assistance with parts or assembly? Call Quozel customer service at 1-631-273-2700  
or visit us on-line at [www. quozel. com](http://www. quozel. com)

**STEP 4 – Attach Shade**

- A. Place the Shade (I) onto the top end of the Harp (J) and secure with the Finial (H). Hand tighten until snug.

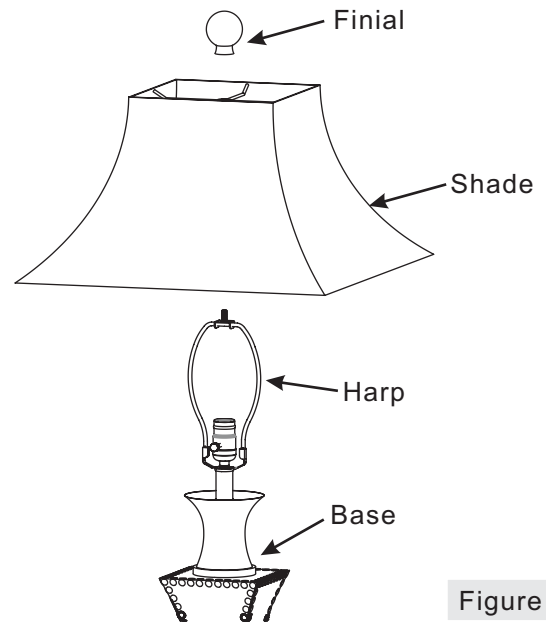
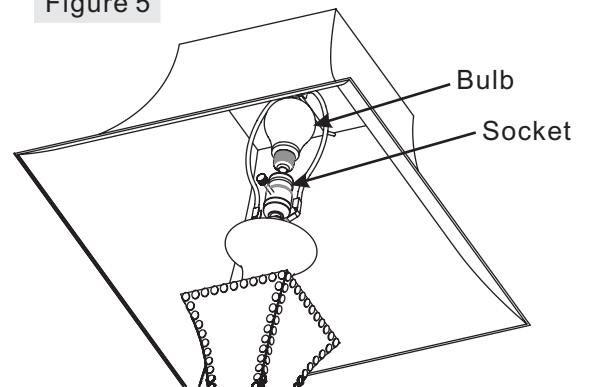


Figure 4

**STEP 5 – Install Bulb**

- A. This fixture uses standard bulb (3-Way) with medium base . Maximum 150 watts.  
B. Insert bulb and screw snugly into place.

Figure 5



**Thank you for purchasing a Quozel product.**

**Need assistance with parts or assembly? Call Quozel customer service at 1-631-273-2700  
or visit us on-line at www. quozel. com**