

# Assembly Instruction Sheet #IS-CKCF44224OS For Style CKCF44224OS

Quoizel, Inc.  
 6 Corporate Parkway  
 Goose Creek, SC  
 29445

Customer Service  
 Phone 631.273.2700  
 Fax 631.231.7102  
 www. quozel. com

**Tools Required:** Flathead screwdriver, Phillips screwdriver, pliers, gloves, safety glasses.

**Bulb Recommended:** None.

**Estimated Assembly Time:** 20-30 minutes

**Preparation:** Identify and inspect all parts before beginning installation. Check package content list and diagrams below to be sure all parts are present. If any parts are missing or damaged, do not attempt to assemble, install, or operate the mirror. Contact customer service for replacement parts.

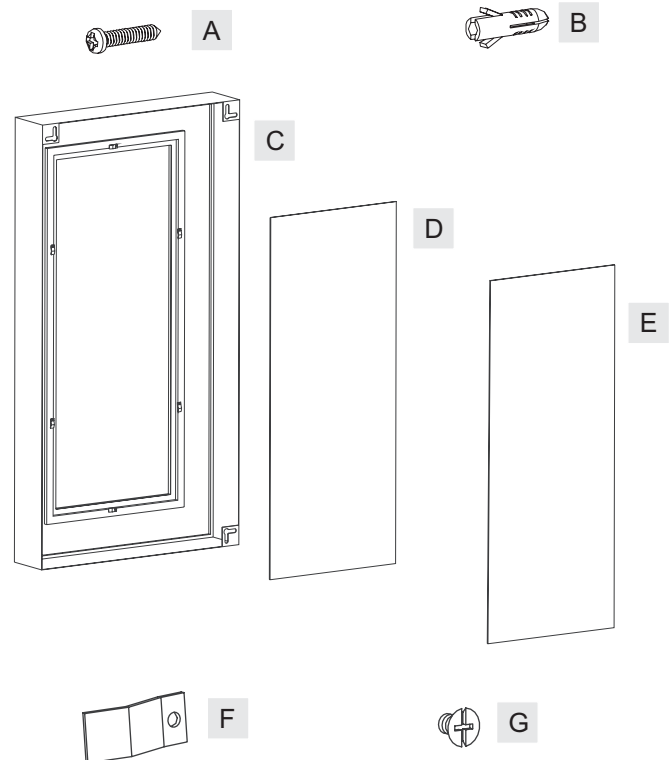


## Warnings and Cautions

These instructions are provided for your safety. It is very important you read them completely before installing the mirror. We strongly recommend that a licensed, professional electrician perform the installation.

## Package Contents

Part	Description	Quantity
A	Self-tapping Screw	2 pcs
B	Wall Anchor	2 pcs
C	Mirror Frame	1 pc
D	Mirror	1 pc
E	Backing	1 pc
F	Tab	10 pcs
G	Lock Screw	10 pcs

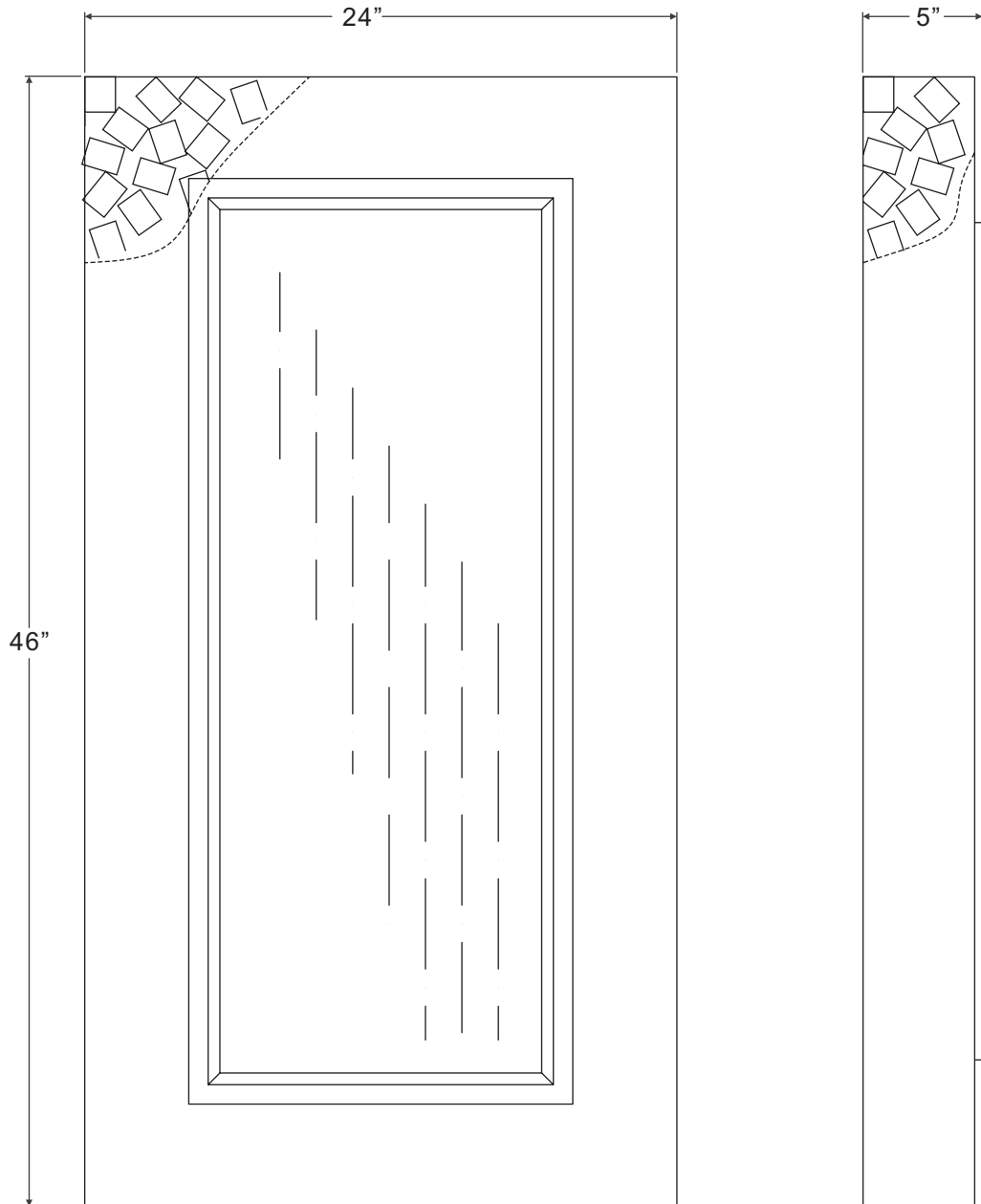
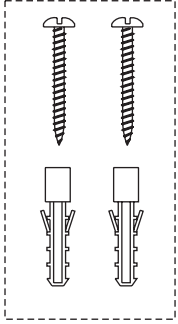


**Thank you for purchasing a Quoizel product.**

**Need assistance with parts or assembly? Call Quoizel customer service at 1-631-273-2700  
 or visit us on-line at [www. quozel. com](http://www. quozel. com)**

CKCF44224OS

FINISH: OLD SILVER



NOTE: ALL DIMENSIONS ARE ROUNDED UP TO THE NEAREST 1/2"

NO.	PART NUMBER	REPLACEMENT PART DESCRIPTION	REQ.
1			

**STEP 1 – Assemble Mirror**

- A. Place the Mirror Frame (C) onto a flat working surface with back facing you.
- B. Place the Mirror (D) and the Backing (E) onto the Mirror Frame (C). Attach Tabs (F) onto the Backing (E) and align the holes on Tabs (F) to Mounting Holes on the back of the Mirror Frame (C). Thread Lock Screws (G) into the Mounting Holes on the back of the Mirror Frame (C). Hand tighten until snug to secure above parts together.

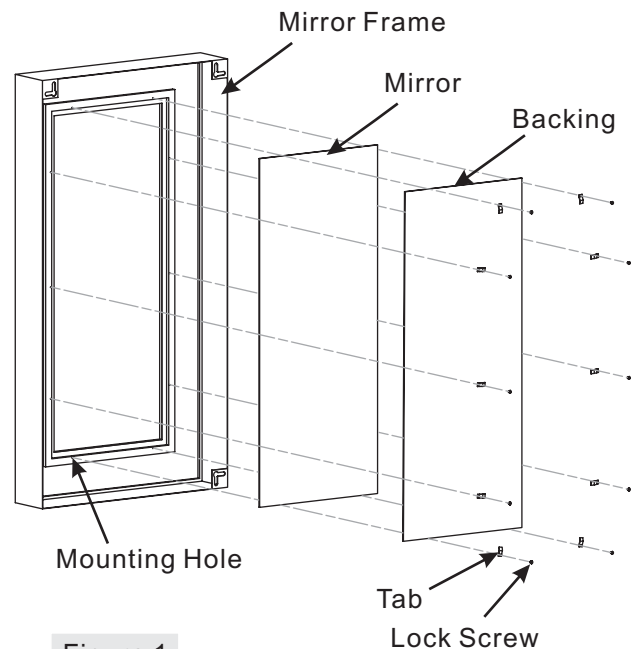


Figure 1

**FOR VERTICAL**

**STEP 2 – Mark Points for Self-tapping Screws**

- A. Lift and position where the Mirror will reside on the wall surface and with a tape measure, mark distance from floor to the bottom edge of the frame with a pencil. Mark should be located at a point representing 1/2 of mirror width.
- B. Measure the Height of the Mirror. With tape measure, add this height to Mark "A" on wall surface and mark with pencil (Mark B).
- C. Measure distance between the centerline of (2) Hanging Holes. Add this 1/2 distance from Mark "B" on each side and mark with pencil. (Distance "C" in the illustration) These marks are locators for the (2) Self-tapping Screws (A). Check for marks straightness with level.

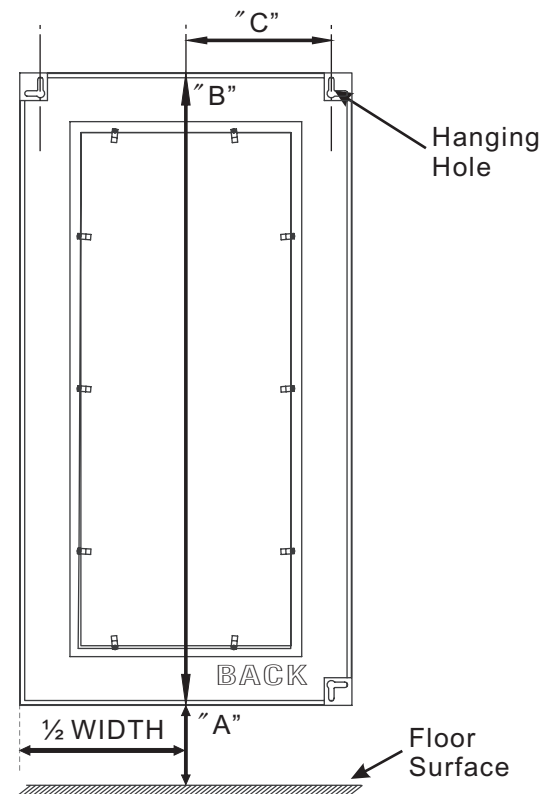


Figure 2

**Thank you for purchasing a Quozel product.**

**Need assistance with parts or assembly? Call Quozel customer service at 1-631-273-2700  
 or visit us on-line at www. quozel. com**

**STEP 3 – Locate Self-tapping Screws and Mirror**

- A. Drill proper holes from Mark "C" for Wall Anchors (B). Insert Wall Anchors (B) inside of the drilled holes and then screw Self-tapping Screws (A) into Wall Anchors (B). Please make sure there are proper and equal length of Self-tapping Screws (A) for Mirror.
- B. With the help of another person, pass the Hanging Holes at the back of the Mirror Frame over the Self-tapping Screws (A) so that the Mirror rests on the Self-tapping Screws (A).

Clean glass with household glass cleaner. Retain this sheet for future reference.

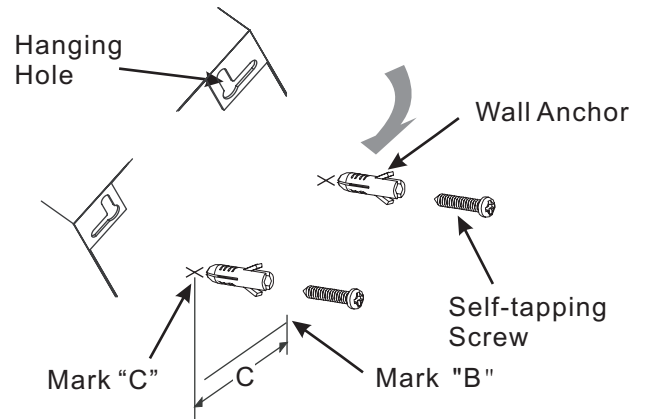


Figure 3

**FOR HORIZONTAL**

**STEP 4 – Mark Points for Self-tapping Screws**

- A. Lift and position where the Mirror will reside on the wall surface and with a tape measure, mark distance from floor to the bottom edge of the frame with a pencil. Mark should be located at a point representing 1/2 of mirror width.
- B. Measure the Height of the Mirror. With tape measure, add this height to Mark "A" on wall surface and mark with pencil (Mark B).
- C. Measure distance between the centerline of (2) Hanging Holes. Add this 1/2 distance from Mark "B" on each side and mark with pencil. (Distance "C" in the illustration) These marks are locators for the (2) Self-tapping Screws (A). Check for marks straightness with level.

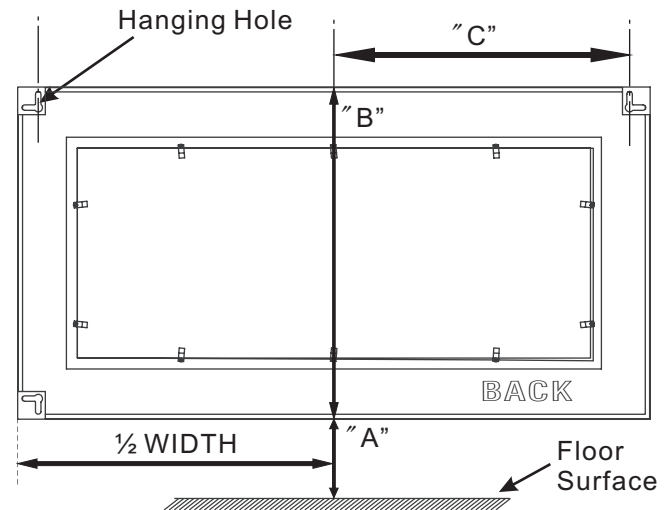


Figure 4

**Thank you for purchasing a Quozel product.**

**Need assistance with parts or assembly? Call Quozel customer service at 1-631-273-2700 or visit us on-line at www. quozel. com**

**STEP 5 – Locate Self-tapping Screws and Mirror**

- A. Drill proper holes from Mark "C" for Wall Anchors (B). Insert Wall Anchors (B) inside of the drilled holes and then screw Self-tapping Screws (A) into Wall Anchors (B). Please make sure there are proper and equal length of Self-tapping Screws (A) for Mirror.
- B. With the help of another person, pass the Hanging Holes at the back of the Mirror Frame over the Self-tapping Screws (A) so that the Mirror rests on the Self-tapping Screws (A).

Clean glass with household glass cleaner. Retain this sheet for future reference.

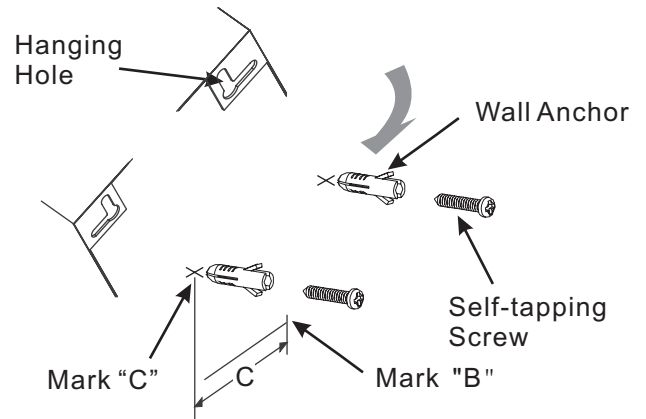


Figure 5

**Thank you for purchasing a Quozel product.**  
**Need assistance with parts or assembly? Call Quozel customer service at 1-631-273-2700**  
**or visit us on-line at www. quozel. com**