

Quozel, Inc.
6 Corporate Parkway
Goose Creek, SC
29445

Customer Service
Phone 631.273.2700
Fax 631.231.7102
www. quozel. com

Assembly Instruction Sheet #IS-UPCC5006IS For Style UPCC5006IS

Tools Required: Flathead screwdriver, Phillips screwdriver, pliers, wire cutters, wire strippers, electrical tape, safety glasses.

Bulb Recommended: (6) Frosted G9 Halogen 75W Maximum (supplied)

Estimated Assembly Time: 20-30 minutes

Preparation: Identify and inspect all parts before beginning installation. Check package content list and diagrams below to be sure all parts are present. If any parts are missing or damaged, do not attempt to assemble, install, or operate the fixture. Contact customer service for replacement parts.



Warnings and Cautions

Turn off electricity at circuit breaker or main fuse box before installation. Consult a licensed electrician if in doubt.

These instructions are provided for your safety. It is very important you read them completely before installing the fixture. We strongly recommend that a licensed, professional electrician perform the installation.

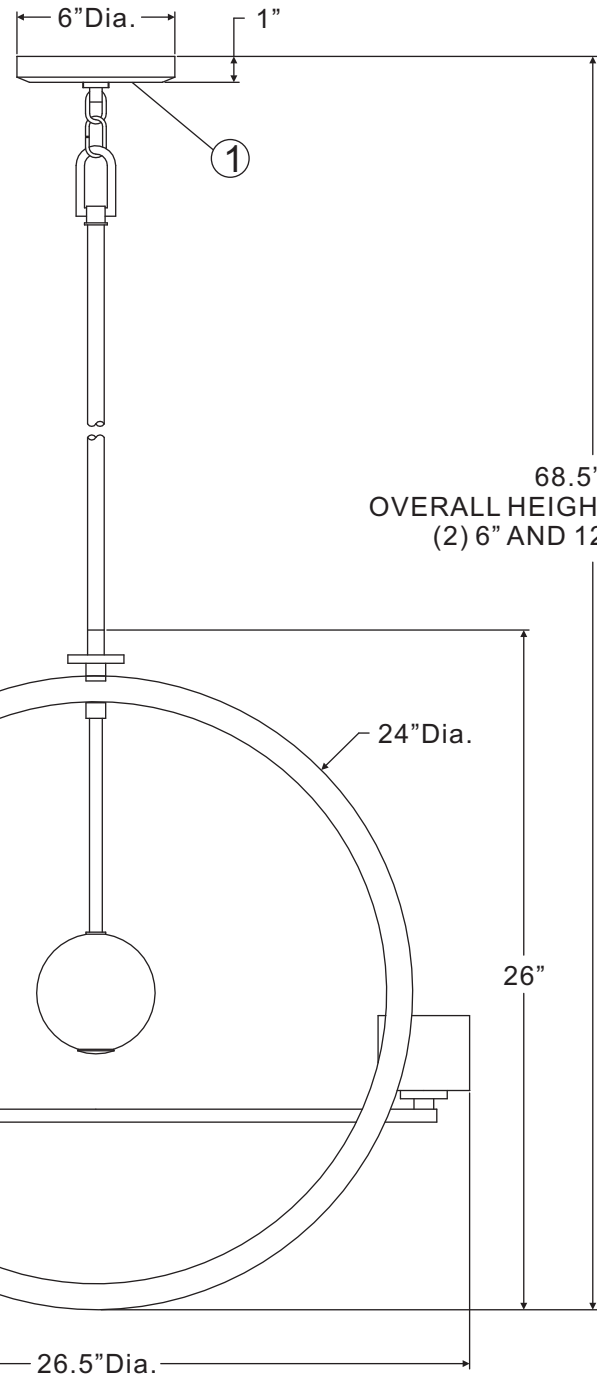
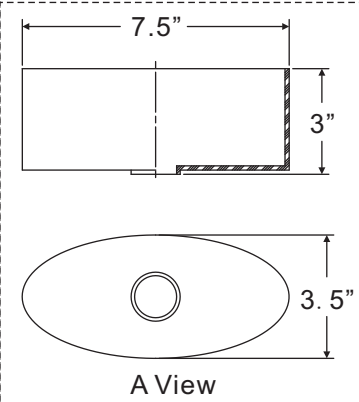
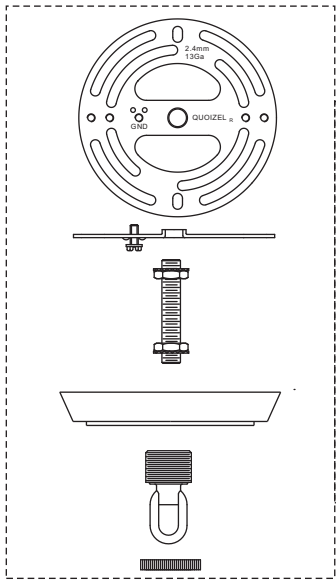
Disconnect fixture from power source before replacing bulbs. Make sure bulbs are given sufficient time to cool before removal. Do not subject glass parts to any shock while in operation or shattering may result.

Do not touch the bulb with bare hands use a cloth or glove.

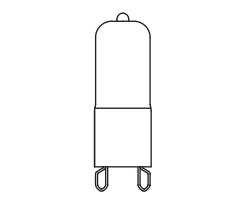
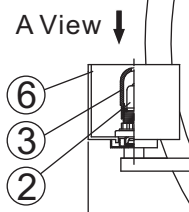
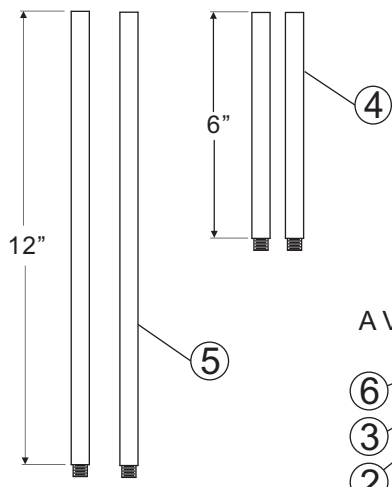
Thank you for purchasing a Quozel product.
Need assistance with parts or assembly? Call Quozel customer service at 1-631-273-2700
or visit us on-line at www. quozel. com

UPCC5006IS

FINISH: IMPERIAL SILVER



68.5" OVERALL HEIGHT INCLUDES (2) 6" AND 12" RODS



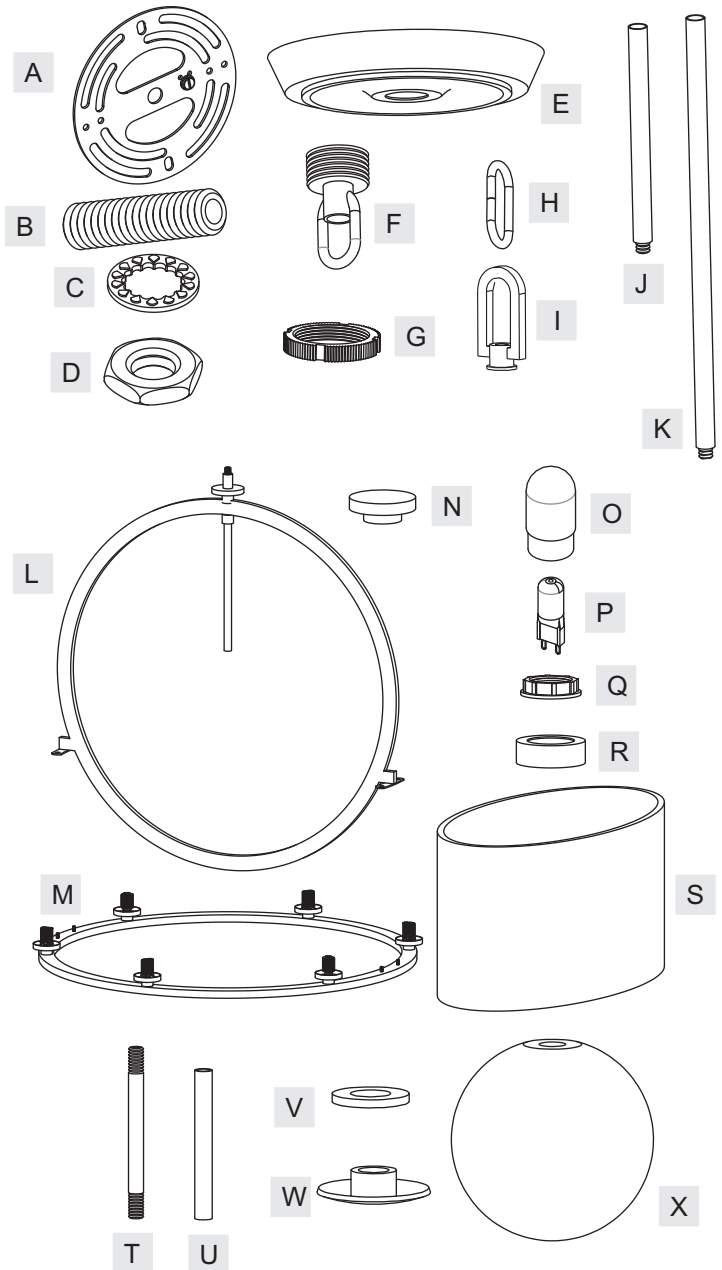
(6) 75W Frosted G9 Halogen Bulbs (Supplied)

NOTE: ALL DIMENSIONS ARE ROUNDED UP TO THE NEAREST 1/2"

NO.	PART NUMBER	REPLACEMENT PART DESCRIPTION	REQ.
1	15006ISUPCC	BASE IMPERIAL SILVER UPCC5006IS	1
2	I828SF	BULB 130V 75W HALOGEN G9 FROSTED	6
3	G2641BS	BULB SHIELD GLASS 1"D X 2"H	6
4	9007EXIS	ROD EXT IMPERIAL SILVER 6"L X 0.63"D	2
5	9008EXIS	ROD EXT IMPERIAL SILVER 12"L X 0.63"D	2
6	G3215SH	SHADE OPAL ETCHED GLASS	6

Package Contents

Part	Description	Quantity
A	Crossbar	1 pc.
B	Nipple	1 pc.
C	Lock Washer	2 pcs.
D	Hex Nut	2 pcs.
E	Ceiling Canopy	1 pc.
F	Canopy Chain Loop	1 pc.
G	Canopy Lock Ring	1 pc.
H	Fixture Chain	1 pc.
I	Fixture Loop	1 pc.
J	6" Rod	2 pcs.
K	12" Rod	2 pcs.
L	Ring	1 pc.
M	Socket Assembly	1 pc.
N	Knob	4 pcs.
O	Bulb Shield	6 pcs.
P	G9 Bulb	6 pcs.
Q	Socket Collar	6 pcs.
R	Steel Collar	6 pcs.
S	Shade	6 pcs.
T	Stem	1 pc.
U	Spacer	1 pc.
V	Rubber Washer	1 pc.
W	Finial	1 pc.
X	Crystal Ball	1 pc.

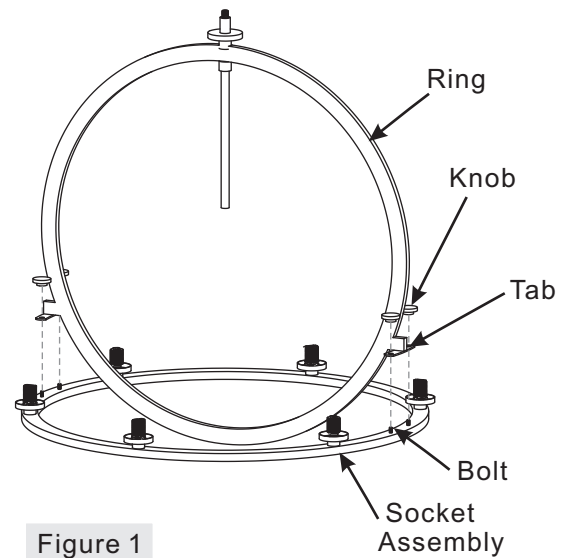


Thank you for purchasing a Quozel product.

**Need assistance with parts or assembly? Call Quozel customer service at 1-631-273-2700
 or visit us on-line at www. quozel. com**

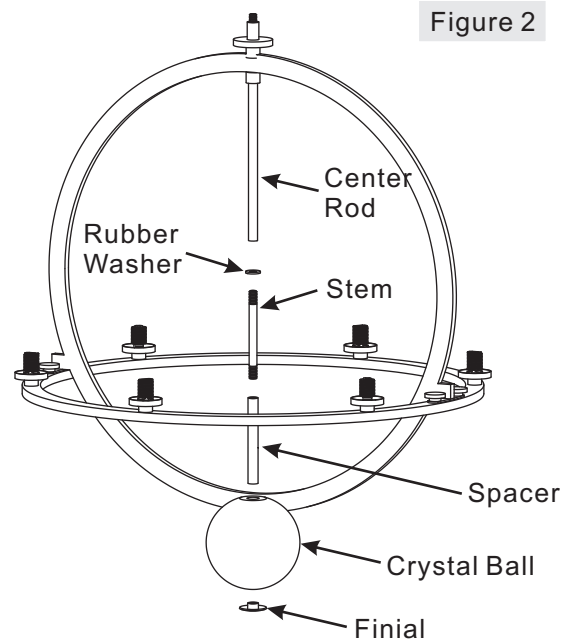
STEP 1 – Attach Ring to Socket Assembly

- A. Pass the Tabs on the Ring (L) over the Bolts on the Socket Assembly (M). Secure them together by threading Knobs (N) onto the Bolts. Hand tighten until snug.



STEP 2 – Attach Crystal Ball

- A. Screw one end of the Stem (T) into the end of the Center Rod. Hand tighten until snug.
B. Pass the Rubber Washer (V), the Spacer (U) and the Crystal Ball (X) over the end of the Stem (T). Secure by threading the Finial (W) onto the end of the Stem (T). Hand tighten until snug.



Thank you for purchasing a Quozel product.
Need assistance with parts or assembly? Call Quozel customer service at 1-631-273-2700
or visit us on-line at www. quozel. com

STEP 3 – Assemble Rods

- A. Determine the Rods (J/K) to be assembled to fixture according to your hanging height.
- B. Pass Supply Wires and Ground Wire through the chosen Rods (J/K) and then thread the chosen Rods (J/K) and the fixture together. Hand tighten until snug.

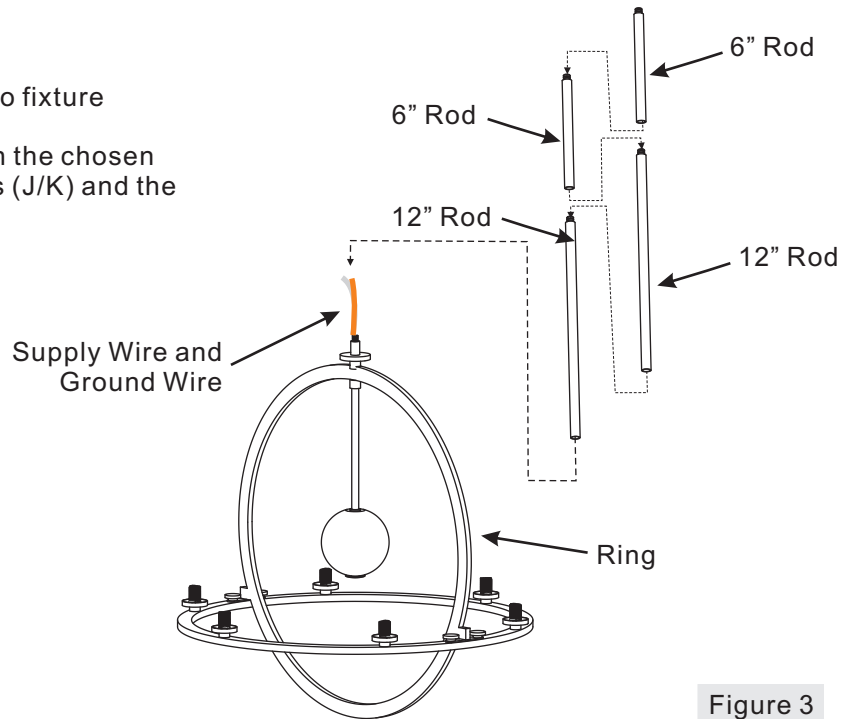


Figure 3

STEP 4 – Assemble Fixture Loop to Upper Rod

- A. Pass Supply Wires and Ground Wire through the Fixture Loop (I) then thread the Fixture Loop (I) and the Upper Rod together. Hand tighten until snug.

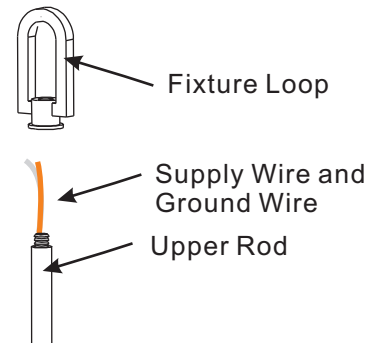


Figure 4

STEP 5 – Attach Crossbar to Outlet Box

- A. Secure the Crossbar (A) to the outlet box with outlet box screws (not supplied). Tighten until snug.

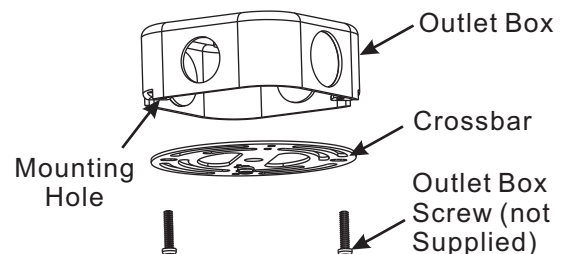


Figure 5

Thank you for purchasing a Quozel product.
Need assistance with parts or assembly? Call Quozel customer service at 1-631-273-2700
or visit us on-line at www. quozel. com

STEP 6 – Attach Nipple to Crossbar

- A. Thread one Hex Nut (D) onto the top end of the Nipple (B).
- B. Place one Lock Washer (C) over the top end of the Nipple (B) and then thread the Nipple (B) into the center lock hole of the Crossbar (A).
- C. Using pliers, thread the Hex Nut (D) against the Crossbar (A) and hand tighten until snug.

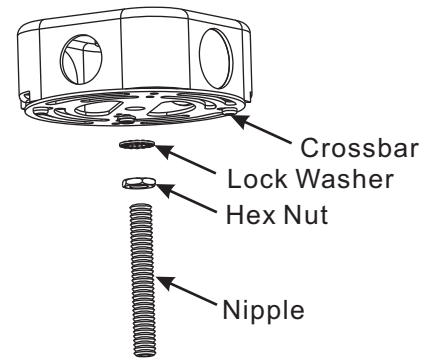


Figure 6

STEP 7 – Attach Canopy Chain Loop to Nipple

- A. Thread another Hex Nut (D) onto the end of the Nipple (B).
- B. Place the Lock Washer (C) over the end of the Nipple (B) and then thread the Canopy Chain Loop (F) onto the end of the Nipple (B).
- C. Using pliers, thread the Hex Nut (D) against the Canopy Chain Loop (F) and hand tighten until snug.

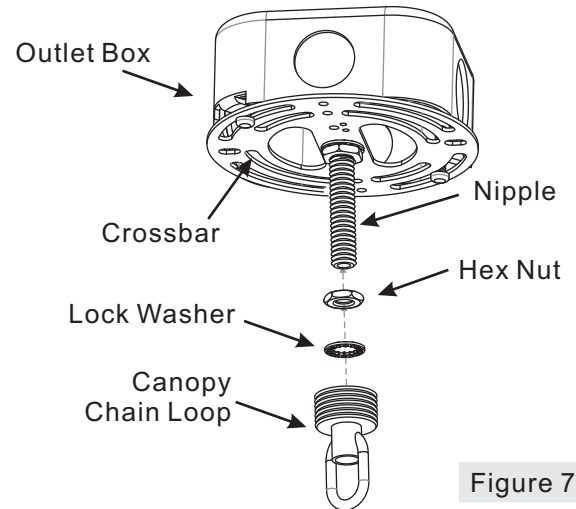


Figure 7

STEP 8 – Assemble Ceiling Canopy

- A. Push the Ceiling Canopy (E) upward over the Outlet Box. Thread the Canopy Lock Ring (G) onto the Canopy Chain Loop (F) and tighten until snug to secure the Ceiling Canopy (E).

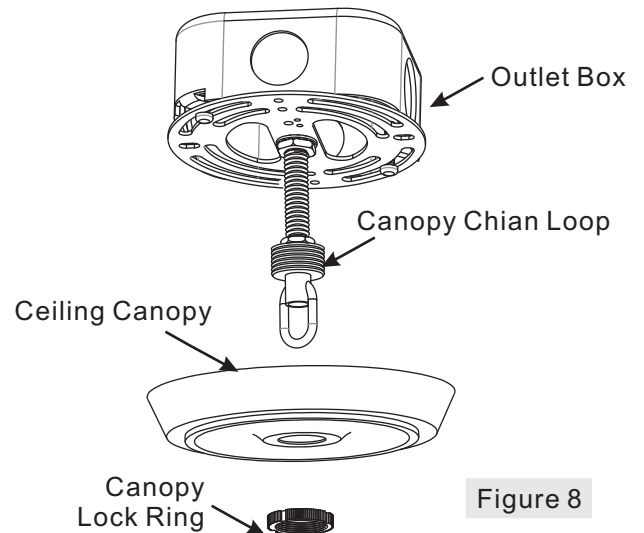


Figure 8

Thank you for purchasing a Quoizel product.
Need assistance with parts or assembly? Call Quoizel customer service at 1-631-273-2700
or visit us on-line at www. quozel. com

STEP 9 – Attach Fixture Chain to Canopy Chain Loop and Fixture Loop

- A. Attach the Fixture Chain (H) onto the Canopy Chain Loop (F) and the Fixture Loop (I) on the top of the fixture.

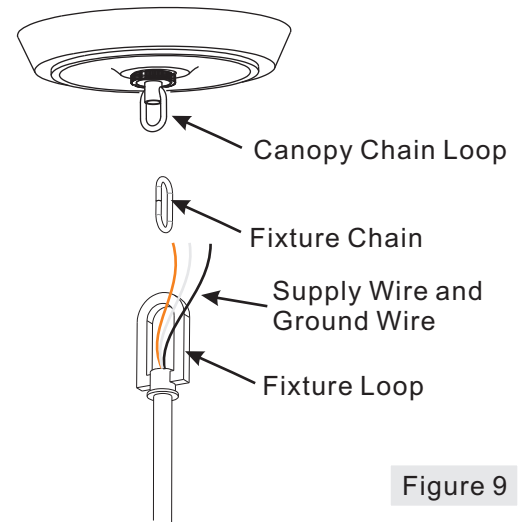


Figure 9

STEP 10 – Pass Supply Wires through Fixture Chain

- A. Pull the Supply Wires and Ground Wire up through the Fixture Chain (H). Push the wires up through the Canopy Chain Loop (F) into the outlet box.

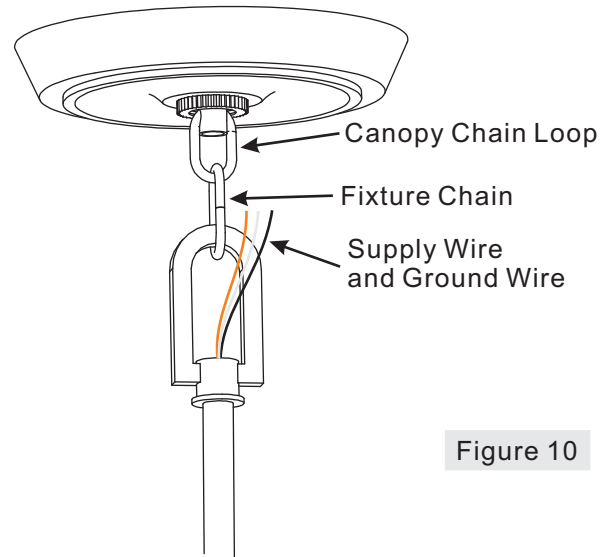


Figure 10

Thank you for purchasing a Quozel product.

**Need assistance with parts or assembly? Call Quozel customer service at 1-631-273-2700
or visit us on-line at www. quozel. com**

STEP 11 – Make Wire Connections

- A. Un-thread the Canopy Lock Ring (G) and slide Canopy Lock Ring (G) and Ceiling Canopy (E) down the Fixture Chain.
- B. Push all slack fixture wire through Canopy Chain Loop into Outlet Box. Trim excess fixture wire leaving a minimum of 6 inch. Hanging out of the Outlet Box.
- C. Use standard wire connectors to make all wire connections. (Connectors are not included with fixture.) Strip and prepare wire ends according to instructions supplied with connectors.
- D. Connect White Supply Wire from the Outlet Box to White Wire from fixture.
- E. Connect Black (or Red) Supply Wire from the Outlet Box to Black Wire from fixture.
- F. Connect Ground Wire from the Outlet Box to Ground Wire from fixture.
- G. Twist connectors until wires are tightly joined together.
- H. Wrap each connection with approved electrical tape and carefully stuff all the connected wires into the Outlet Box.
- G. Re-attach the Ceiling Canopy (E) as shown in Step 8.

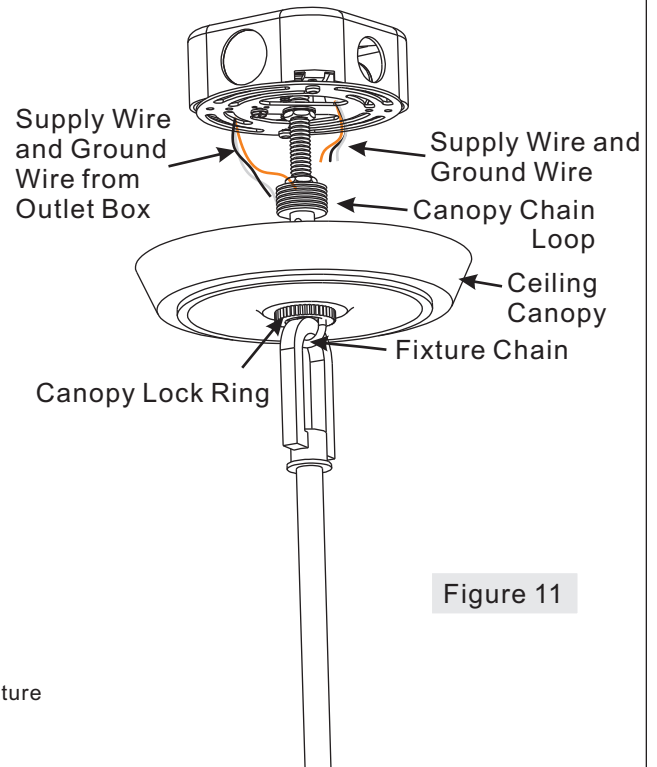


Figure 11

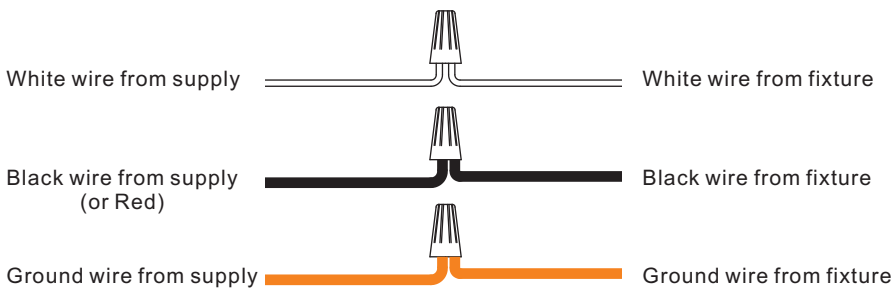


Figure 12

STEP 12 – Assemble Shade

- A. Place the Shade (S) and the Steel Collar (R) over the Socket as shown. Secure by threading the Socket Collar (Q) onto the Socket. Hand tighten until snug.

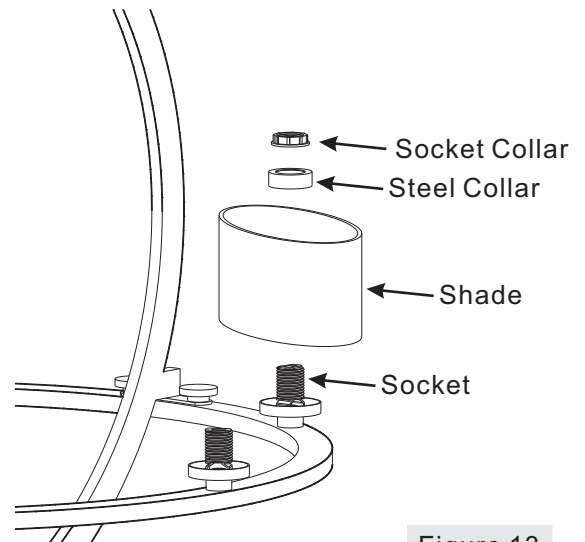


Figure 13

Thank you for purchasing a Quozel product.
Need assistance with parts or assembly? Call Quozel customer service at 1-631-273-2700
or visit us on-line at www. quozel. com

STEP 13 – Install Bulb and Bulb Shield

- A. This fixture uses Frosted G9 Halogen Bulbs (supplied). Maximum 75 watts.
- B. Insert bulb and seat properly into place.
- C. Screw Bulb Shield (O) onto the Socket and hand tighten until snug.

IMPORTANT: Do not touch the bulb with bare hands use a cloth or glove.

Your fixture is now assembled and ready to use. Enjoy!

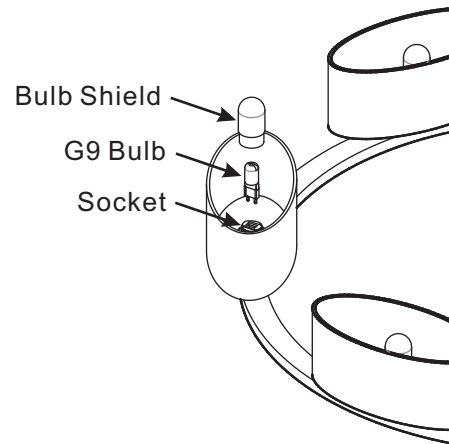


Figure 14

CAUTION FOR BULB REPLACING

- A. When replace bulb, turn off power and allow lamp to cool. For safety purpose, wear gloves and eye protection.
- B. If bulb is scratched or cracked, DO NOT use the lamp to avoid breakage during use or installation.
- C. Use only in fixtures rated for lamps wattage and voltage.
- D. Lamp operate under high pressure generating intense heat. Prevent contact with liquid and combustible materials.

Thank you for purchasing a Quozel product.
Need assistance with parts or assembly? Call Quozel customer service at 1-631-273-2700
or visit us on-line at www. quozel. com