

# Assembly Instruction Sheet #IS-TTN8603C

## For Style TTN8603C

Quozel, Inc.  
 6 Corporate Parkway  
 Goose Creek, SC  
 29445

Customer Service  
 Phone 631.273.2700  
 Fax 631.231.7102  
 www. quozel. com

**Tools Required:** Flathead screwdriver, Phillips screwdriver, pliers, wire cutters, wire strippers, electrical tape, safety glasses.

**Bulb Recommended:** (3) Frosted G9 Halogen 75W Maximum (supplied)

**Estimated Assembly Time:** 20-30 minutes

**Preparation:** Identify and inspect all parts before beginning installation. Check package content list and diagrams below to be sure all parts are present. If any parts are missing or damaged, do not attempt to assemble, install, or operate the fixture. Contact customer service for replacement parts.



### Warnings and Cautions

Turn off electricity at circuit breaker or main fuse box before installation. Consult a licensed electrician if in doubt.

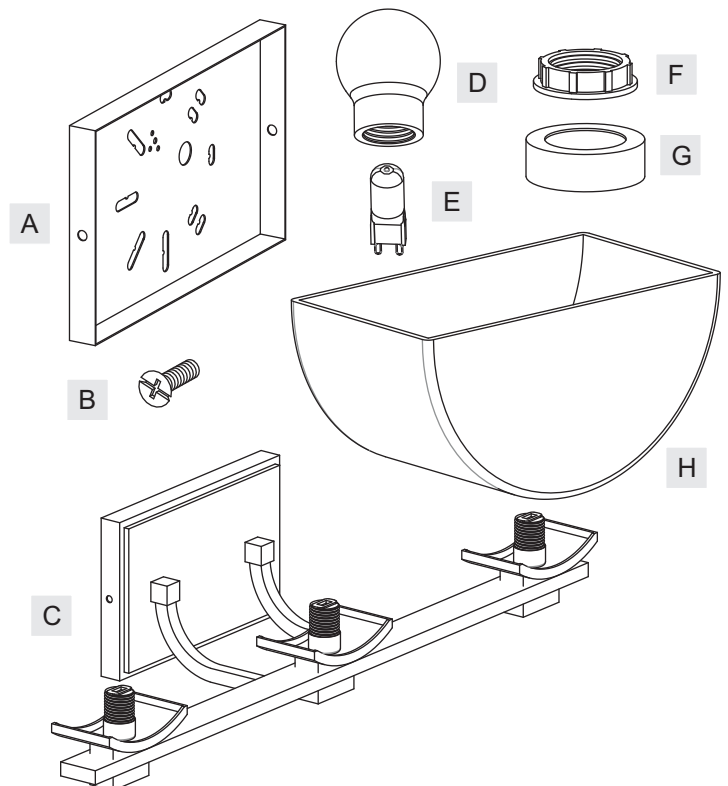
These instructions are provided for your safety. It is very important you read them completely before installing the fixture. We strongly recommend that a licensed, professional electrician perform the installation.

Disconnect fixture from power source before replacing bulbs. Make sure bulbs are given sufficient time to cool before removal. Do not subject glass parts to any shock while in operation or shattering may result.

Do not touch the bulb with bare hands use a cloth or glove.

### Package Contents

Part	Description	Quantity
A	Inner Backplate	1 pc.
B	Mounting Screw	2 pcs.
C	Fixture Body	1 pc.
D	Bulb Shield	3 pcs.
E	G9 Bulb	3 pcs.
F	Socket Collar	3 pcs.
G	Steel Collar	3 pcs.
H	Shade	3 pcs.

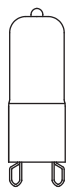
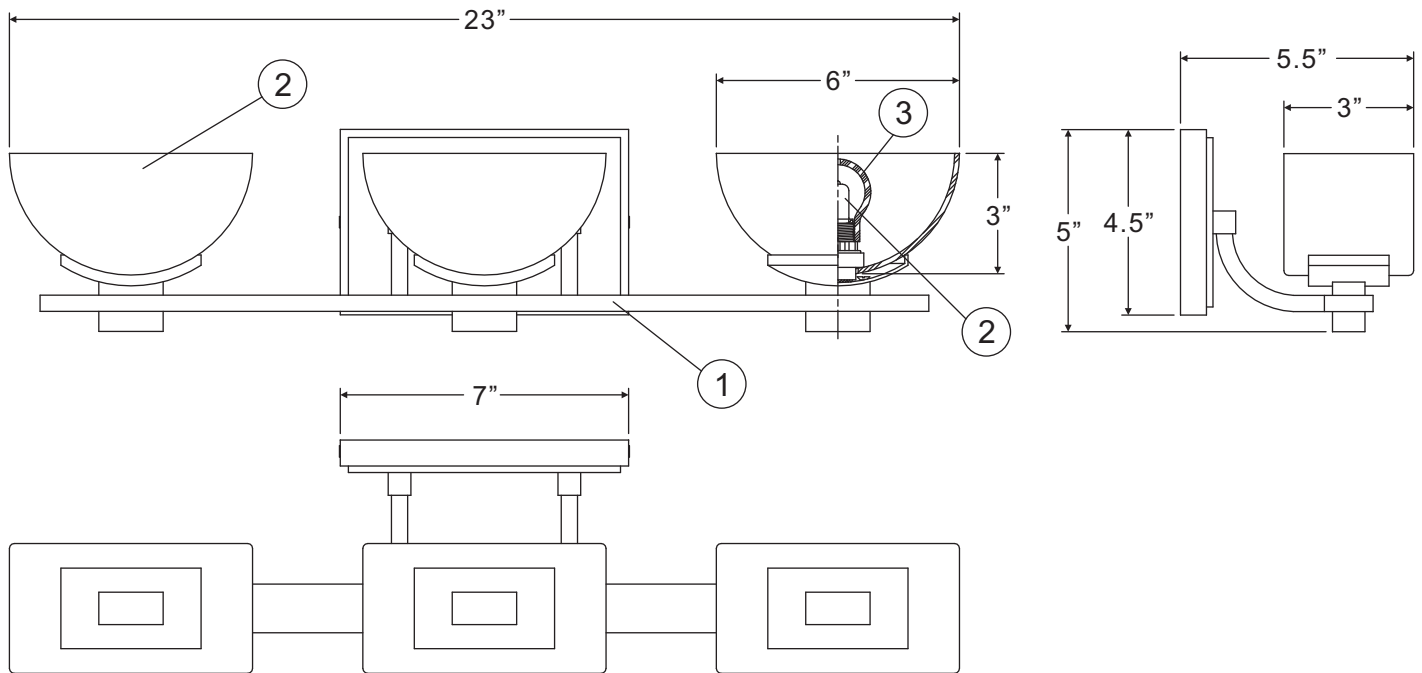
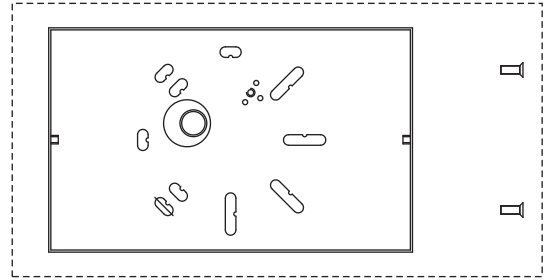


**Thank you for purchasing a Quozel product.**

**Need assistance with parts or assembly? Call Quozel customer service at 1-631-273-2700  
 or visit us on-line at [www. quozel. com](http://www. quozel. com)**

TTN8603C

FINISH: POLISHED CHROME



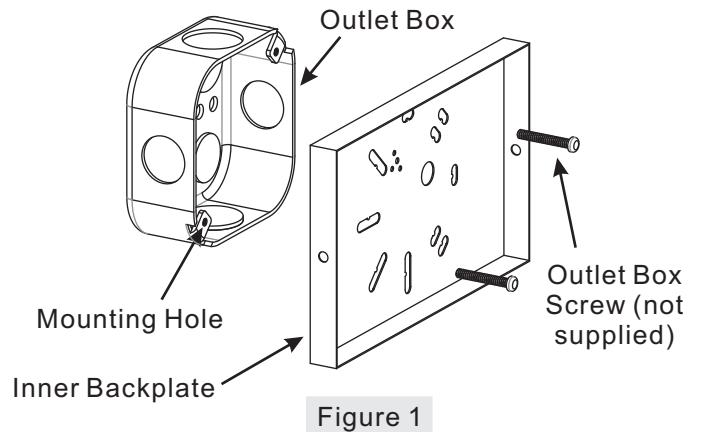
(3) 75W Frosted  
G9 Halogen Bulbs  
(Supplied)

NOTE: ALL DIMENSIONS ARE ROUNDED UP TO THE NEAREST 1/2"

NO.	PART NUMBER	REPLACEMENT PART DESCRIPTION	REQ.
1	18603CTTN	BASE POLISHED NICKEL TTN8603C	1
2	I828SF	BULB 130V 75W HALOGEN G9 FROSTED	3
3	G3424BS	BULB SHIELD GLASS 2"D X 2"H CLEAR	3
4	G3381SH	GLASS SHADE ETCHED OPAL	3

### STEP 1 – Attach Inner Backplate to Outlet Box

- A. Attach the Inner Backplate (A) to Outlet Box and secure by threading Outlet Box Screws (not supplied) into the Mounting Holes on the Outlet Box. Tighten until snug.



### STEP 2 – Make Wire Connections

- A. Use standard wire connectors to make all wire connections. (Connectors are not included with fixture.) Strip and prepare wire ends according to instructions supplied with connectors.
- B. Connect White Supply Wire from the Outlet Box to White Wire from fixture.
- C. Connect Black (or Red) Supply Wire from the Outlet Box to Black Wire from fixture.
- D. Connect Ground Wire from the Outlet Box to Ground Wire from fixture.
- E. Twist connectors until wires are tightly joined together.
- F. Wrap each connection with approved electrical tape and carefully stuff all the connected wires into the Outlet Box.

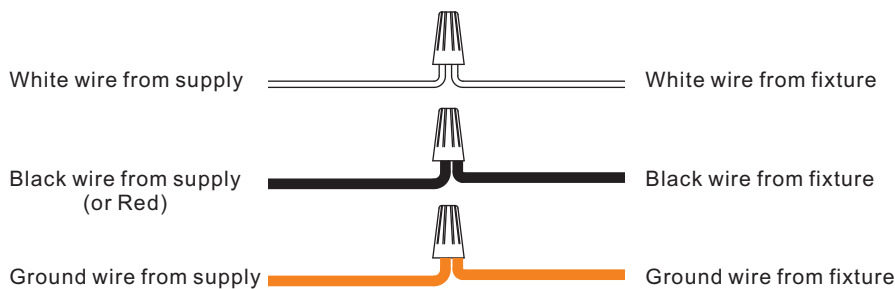
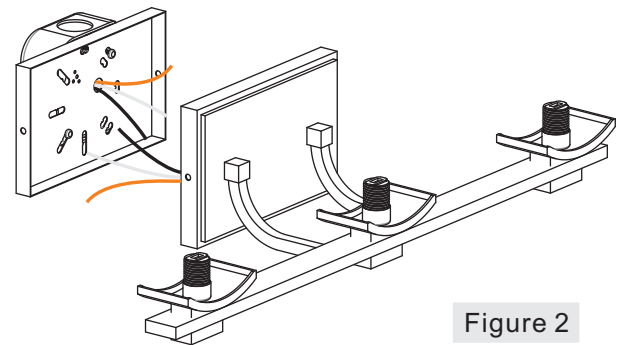


Figure 3

Thank you for purchasing a Quozel product.  
Need assistance with parts or assembly? Call Quozel customer service at 1-631-273-2700  
or visit us on-line at [www. quozel. com](http://www. quozel. com)

**STEP 3 – Attach Fixture Body to Inner Backplate**

- A. Place the backplate of the Fixture Body (C) onto the Inner Backplate (A). Line up holes on both of them. Thread Mounting Screws (B) into the mounting holes on the Inner Backplate (A) and hand tighten until snug to secure them.

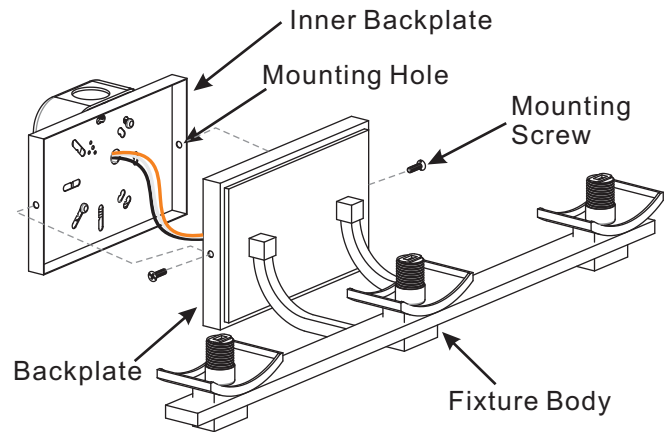


Figure 4

**STEP 4 – Attach Shade to Fixture Body**

- A. Place the Shade (H) and the Steel Collar (G) over Socket as shown. Secure by threading the Socket Collar (F) onto the Socket. Hand tighten until snug.

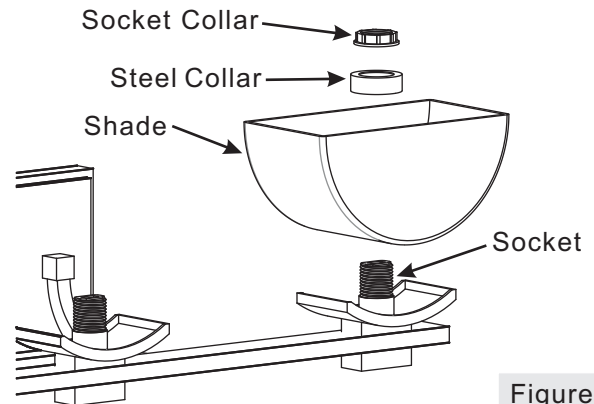


Figure 5

**STEP 5 – Install Bulb and Bulb Shield**

- A. This fixture uses Frosted G9 Halogen Bulbs (supplied). Maximum 75 watts.  
B. Insert bulb and seat properly into place.  
C. Screw Bulb Shield (D) onto the Socket and hand tighten until snug.  
**IMPORTANT:** Do not touch the bulb with bare hands use a cloth or glove.

Your fixture is now assembled and ready to use. Enjoy!

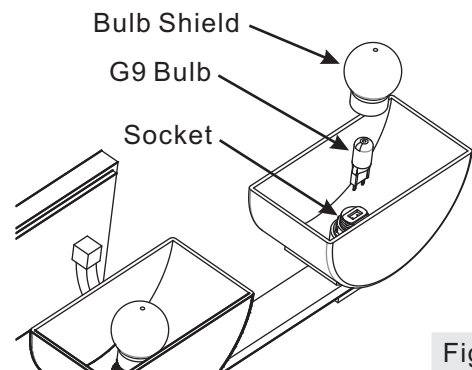


Figure 6

Thank you for purchasing a Quozel product.  
Need assistance with parts or assembly? Call Quozel customer service at 1-631-273-2700  
or visit us on-line at [www. quozel. com](http://www. quozel. com)

**CAUTION FOR BULB REPLACING**

- A. When replace bulb, turn off power and allow lamp to cool. For safety purpose, wear gloves and eye protection.
- B. If bulb is scratched or cracked, DO NOT use the lamp to avoid breakage during use or installation.
- C. Use only in fixtures rated for lamps wattage and voltage.
- D. Lamp operate under high pressure generating intense heat. Prevent contact with liquid and combustible materials.

**Thank you for purchasing a Quozel product.**  
**Need assistance with parts or assembly? Call Quozel customer service at 1-631-273-2700**  
**or visit us on-line at [www. quozel. com](http://www. quozel. com)**