

Assembly Instruction Sheet #IS-RR8603BN

For Style RR8603BN

Quozel, Inc.
 6 Corporate Parkway
 Goose Creek, SC
 29445

Customer Service
 Phone 631.273.2700
 Fax 631.231.7102
 www. quozel. com

Tools Required: Flathead screwdriver, Phillips screwdriver, pliers, wire cutters, wire strippers, electrical tape, safety glasses.

Bulb Recommended: (3) Frosted G9 Halogen Bulbs 75W Maximum (Supplied)

Estimated Assembly Time: 20-30 minutes

Preparation: Identify and inspect all parts before beginning installation. Check package content list and diagrams below to be sure all parts are present. If any parts are missing or damaged, do not attempt to assemble, install, or operate the fixture. Contact customer service for replacement parts.

Warnings and Cautions

Turn off electricity at circuit breaker or main fuse box before installation. Consult a licensed electrician if in doubt.

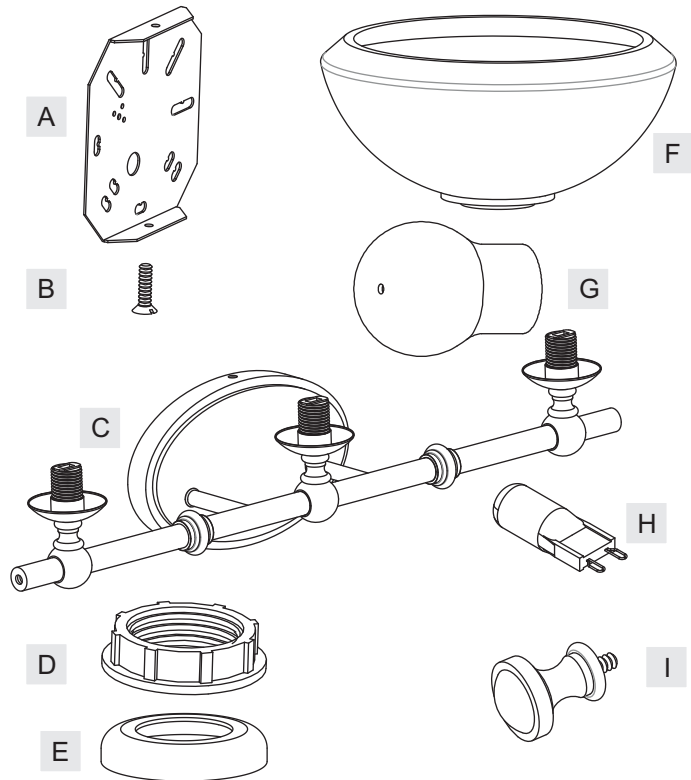
These instructions are provided for your safety. It is very important you read them completely before installing the fixture. We strongly recommend that a licensed, professional electrician perform the installation.

Disconnect fixture from power source before replacing bulbs. Make sure bulbs are given sufficient time to cool before removal. Do not subject glass parts to any shock while in operation or shattering may result.

Do not touch the bulb with bare hands use a cloth or glove.

Package Contents

Part	Description	Quantity
A	Inner Backplate	1 pc.
B	Mounting Screw	2 pcs.
C	Fixture Body	1 pc.
D	Socket Collar	3 pcs.
E	Steel Collar	3 pcs.
F	Shade	3 pcs.
G	Bulb Shield	3 pcs.
H	G9 Bulb	3 pcs.
I	Finial	2 pcs.

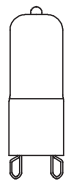
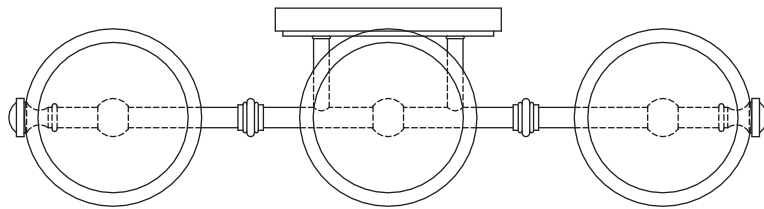
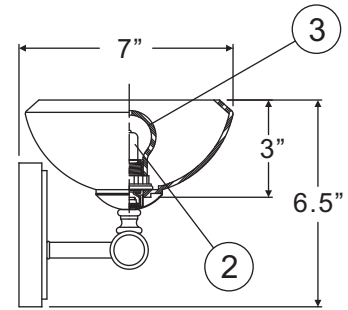
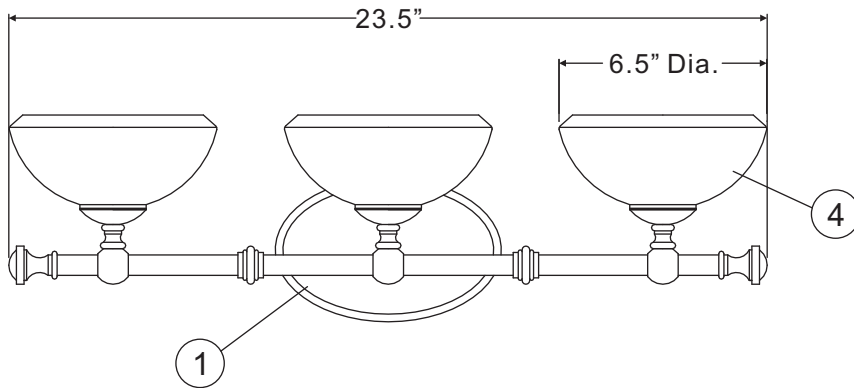
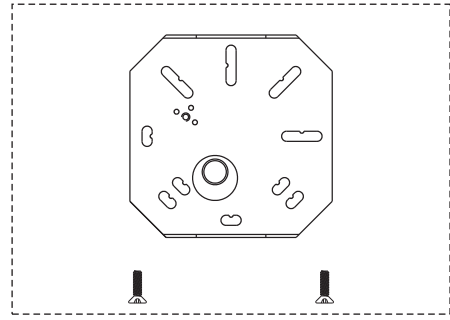


Thank you for purchasing a Quozel product.

**Need assistance with parts or assembly? Call Quozel customer service at 1-631-273-2700
 or visit us on-line at www. quozel. com**

RR8603BN

FINISH: BRUSHED NICKEL



(3)75W Frosted
G9 Halogen Bulbs
(Supplied)

NOTE: ALL DIMENSIONS ARE ROUNDED UP TO THE NEAREST 1/2"

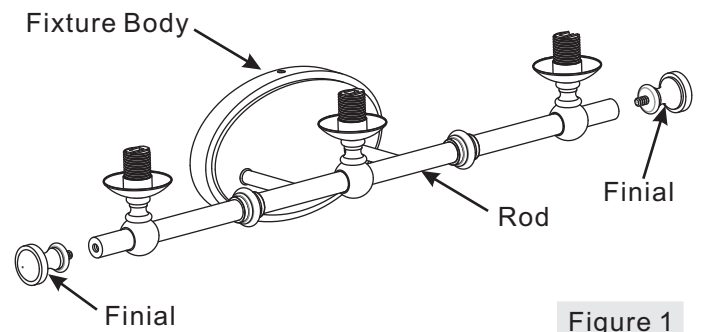
NO.	PART NUMBER	REPLACEMENT PART DESCRIPTION	REQ.
1	18603BNRR	BASE BRUSHED NICKEL RR8603BN	1
2	1828SF	BULB 130V 75W HALOGEN G9 FROSTED	3
3	G3424BS	BULB SHIELD GLASS 2"D X 2"H CLEAR	3
4	G3380SH	GLASS SHADE ETCHED OPAL	3

Assembly Instruction Sheet #IS-RR8603BN

For Style RR8603BN

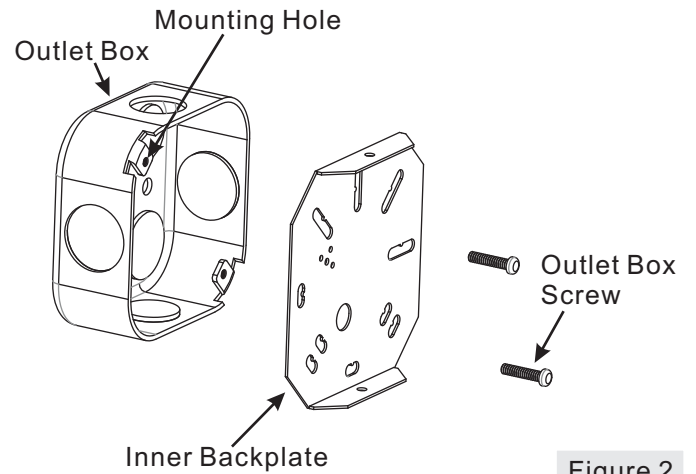
STEP 1 – Attach Finials to Rod

- A. Thread Finials (I) onto the ends of the Rod as shown. Hand tighten until snug.



STEP 2 – Attach Inner Backplate to Outlet Box

- A. Attach the Inner Backplate (A) to Outlet Box and secure by threading Outlet Box Screws (not supplied) into the Mounting Holes on the Outlet Box. Tighten until snug.



Thank you for purchasing a Quozel product.

Need assistance with parts or assembly? Call Quozel customer service at 1-631-273-2700
or visit us on-line at www. quozel. com

STEP 3 – Make Wire Connections

- A. Use standard wire connectors to make all wire connections. (Connectors are not included with fixture.) Strip and prepare wire ends according to instructions supplied with connectors.
- B. Connect White Supply Wire from the Outlet Box to White Wire from fixture.
- C. Connect Black (or Red) Supply Wire from the Outlet Box to Black Wire from fixture.
- D. Connect Ground Wire from the Outlet Box to Ground Wire from fixture.
- E. Twist connectors until wires are tightly joined together.
- F. Wrap each connection with approved electrical tape and carefully stuff all the connected wires into the Outlet Box.

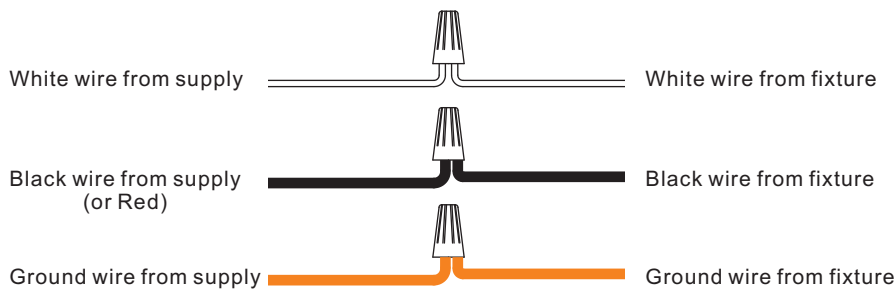
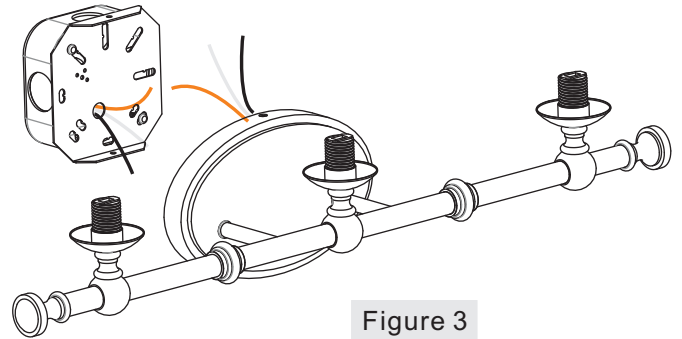


Figure 4

STEP 4 – Attach Fixture Body to Inner Backplate

- A. Place the backplate of the Fixture Body (C) onto the Inner Backplate (A). Line up holes on both of them. Thread Mounting Screws (B) into the mounting holes on the Inner Backplate (A) and hand tighten until snug to secure them.

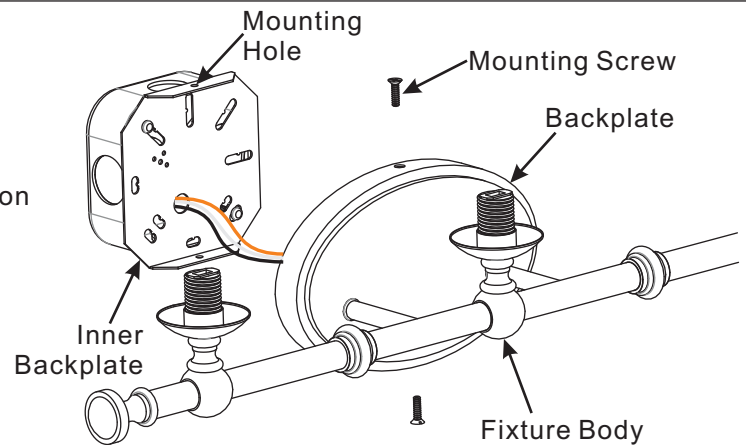


Figure 5

Thank you for purchasing a Quozel product.
Need assistance with parts or assembly? Call Quozel customer service at 1-631-273-2700
or visit us on-line at www. quozel. com

STEP 5 – Attach Shade to Socket

- A. Place the Shade (F) and the Steel Collar (E) over the Socket as shown. Secure by threading the Socket Collar (D) onto the Socket. Hand tighten until snug.

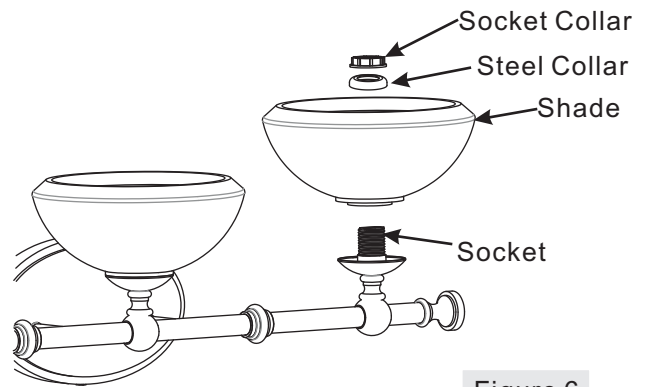


Figure 6

STEP 6 – Install Bulb and Bulb Shield

- A. This fixture uses Frosted G9 Halogen Bulbs. Maximum 75 watts(supplied).
B. Insert bulb and seat properly into place.
C. Screw Bulb Shield (G) onto the Socket and hand tighten until snug.
IMPORTANT: Do not touch the bulb with bare hands use a cloth or glove.

Your fixture is now assembled and ready to use.
Enjoy!

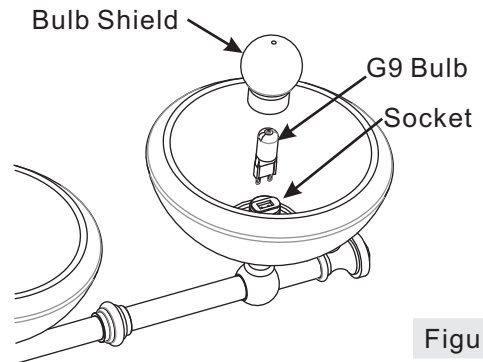


Figure 7

CAUTION FOR BULB REPLACING

- A. When replace bulb, turn off power and allow lamp to cool. For safety purpose, wear gloves and eye protection.
B. If bulb is scratched or cracked, DO NOT use the lamp to avoid breakage during use or installation.
C. Use only in fixtures rated for lamps wattage and voltage.
D. Lamp operate under high pressure generating intense heat. Prevent contact with liquid and combustible materials.

Thank you for purchasing a Quozel product.
Need assistance with parts or assembly? Call Quozel customer service at 1-631-273-2700
or visit us on-line at www. quozel. com