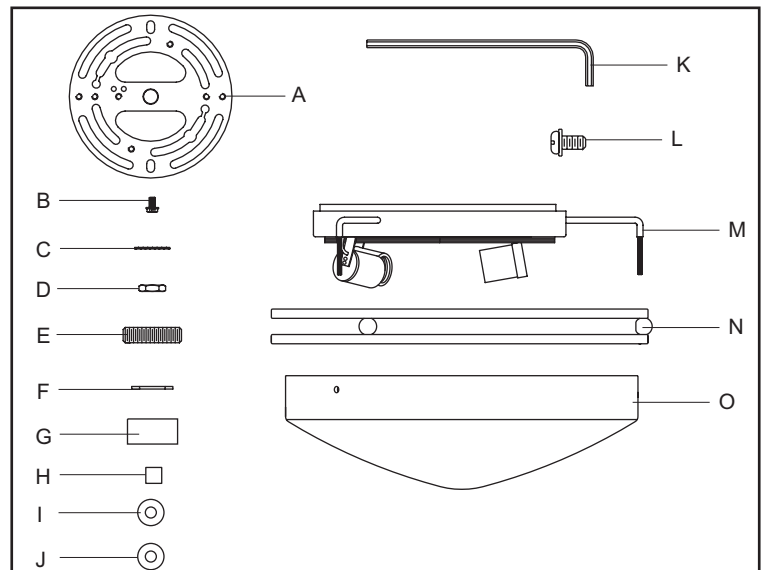


PACKAGE CONTENTS

ISSUED 10-2008

REVISED 2012-03-19

Part	Description	Quantity
A	Crossbar	1pc
B	Green Ground Screw	1pc
C	Lock Washer	1pc
D	Hex Nut	2pcs
E	Nipple	1pc
F	Flat Washer	1pc
G	Finial	1pc
H	Lock Ball	3pcs
I	Steel Washer	6pcs
J	Plastic Washer	3pcs
K	Hexagon Ring Spanner	1pc
L	Lock Screw	3pcs
M	Ceiling Canopy	1pc
N	Frame	1pc
O	Shade	1pc



! WARNINGS AND CAUTIONS

WARNING:

- Before beginning the installation, turn off electricity at the circuit breaker box or the main fuse box by switching off the circuit breaker or removing the fuse.

CAUTIONS:

- These instructions are provided for your safety. It is very important that they are read completely before the installation of your fixture. We strongly recommend that a professional electrician install the fixture.
- Disconnect fixture from the power source before replacing the bulb(s), making sure the bulb(s) had sufficient time to cool down. DO NOT subject the lamp to any shock while lit as shattering of lamp may result.

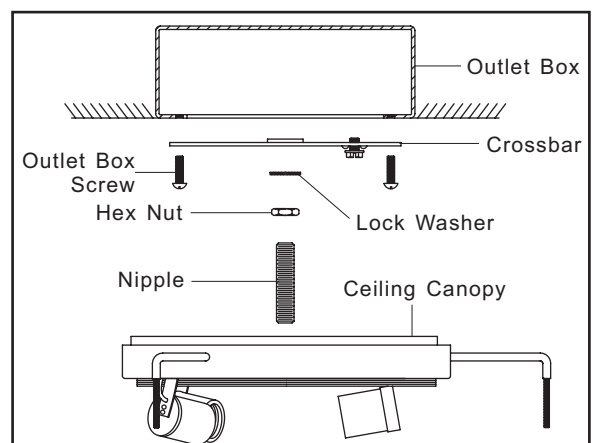
PREPARATION

- Before beginning installation of product, make sure all parts are present. Compare parts with package contents list and diagram above. If any part is missing or damaged, do not attempt to assemble, install or operate the product. Contact customer service for replacement part.
- Estimated Assembly Time: 15 - 30 minutes
- Tools Required for Assembly (not included): Flathead screwdriver, Phillips screwdriver, pliers, electrical tape, wire cutters, safety glasses & 3, 60 Watt, Type-A Medium Base Bulbs.
- Helpful Tools (not included): Wire Strippers.

INSTALLATION INSTRUCTIONS

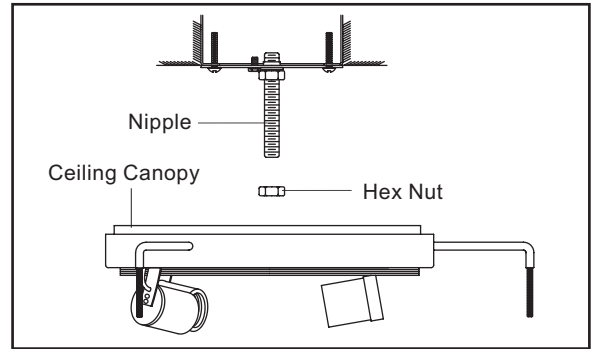
STEP 1:

- Locate the Crossbar and attach it to the Outlet Box using the Outlet Box Screws (not supplied).
- Locate the Nipple and thread one Hex Nut onto it about half way. Slip a Lock Washer onto it and thread one end of the nipple into the center hole of the Crossbar.
- Position the Ceiling Canopy over the outlet box, passing the mounting hole in the center of the Ceiling Canopy over the end of Nipple.
- Adjust the Nipple so approx. 3/8" inch of the Nipple is protruding from the mounting hole. This adjustment may take a few tries.
- When this length is achieved, remove the Ceiling Canopy and tighten the Hex Nut up against the underside of the Crossbar with pliers.



STEP 2:

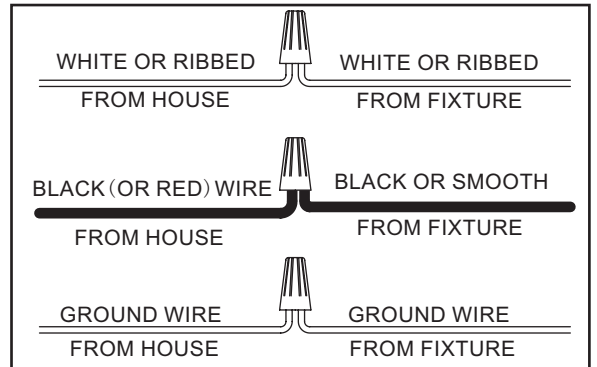
- a. Thread another Hex Nut onto the other end of the nipple. Thread this Hex Nut on just enough so the inside surface of the pan rests against it.
* You may have to trial fit the Ceiling Canopy one more times to insure this distance also. This Hex Nut is needed here to prevent you from crushing down the center of the Ceiling Canopy.



STEP 3:

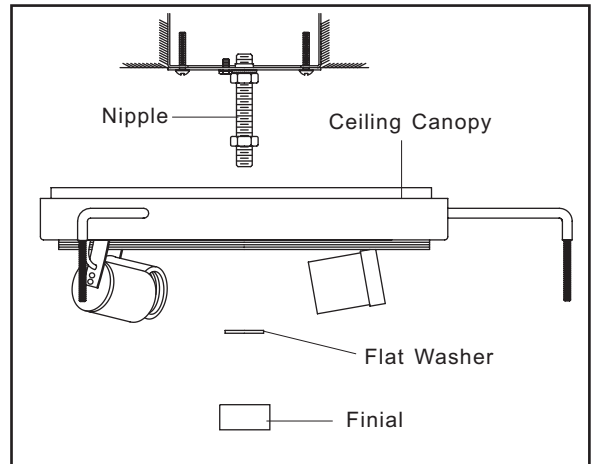
*Use Wire Connectors (not supplied) to connect the wires.

- a. Connect the House Ground Wire to the Fixture Ground Wire.
- b. Connect the House White (or Ribbed) Wire to the Fixture Supply Wire (White or Ribbed Side).
- c. Connect the House Black (or Red) Wire to the Fixture Supply Wire (Black or Smooth Side).
- d. Wrap each connection with approved electrical tape and carefully stuff all of the connected wires into the Outlet Box.



STEP 4:

- a. Position the Ceiling Canopy to the ceiling by passing the Nipple through the center hole.
- b. Slip on the Flat Washer and then thread the Finial to the bottom end of the Nipple. Snug down assembly until the Ceiling Canopy is flush against the ceiling.
* Be sure that there are no trapped or pinched wires along the edge of the pan.

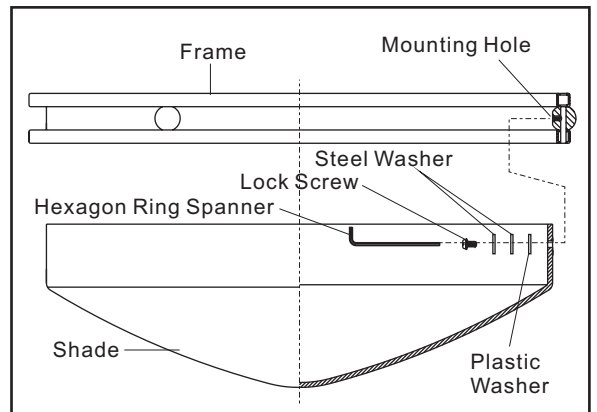


STEP 5:

- a. Install correct Bulbs referring to fixture markings and/or labels for maximum wattage.

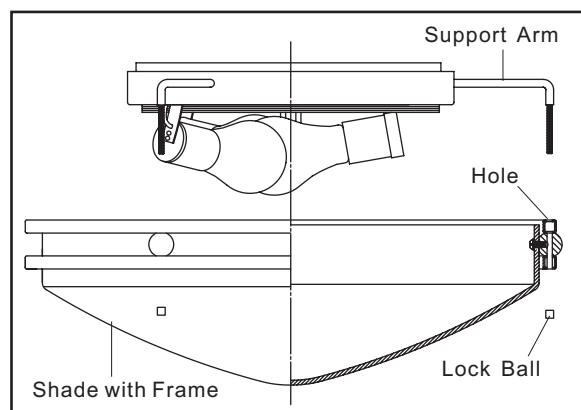
STEP 6:

- a. Place the Shade onto a flat work surface. Locate the Frame over the Shade and match Mounting Holes on it onto holes on the side of the Shade.
- b. Pass the Steel Washers and the Plastic Washer over the Lock Screw. Using Hexagon Ring Spanner, thread Lock Screws with Washers into Mounting Holes to secure the Frame and the Shade together.
- d. Make sure that Lock Screw doesn't penetrate opening of the Ball, this will allow the Support Arms to pass through Ball to attach Shade to Base.



STEP 7:

- a. Lift the Shade with Frame upward and make the holes on the Frame over the Nipple on the ends of Support Arms. Thread Lock Balls onto Nipples and hand tighten until snug to secure the Shade with Frame.



Your installation is completed now. Restore electricity. Keep this sheet for future reference.