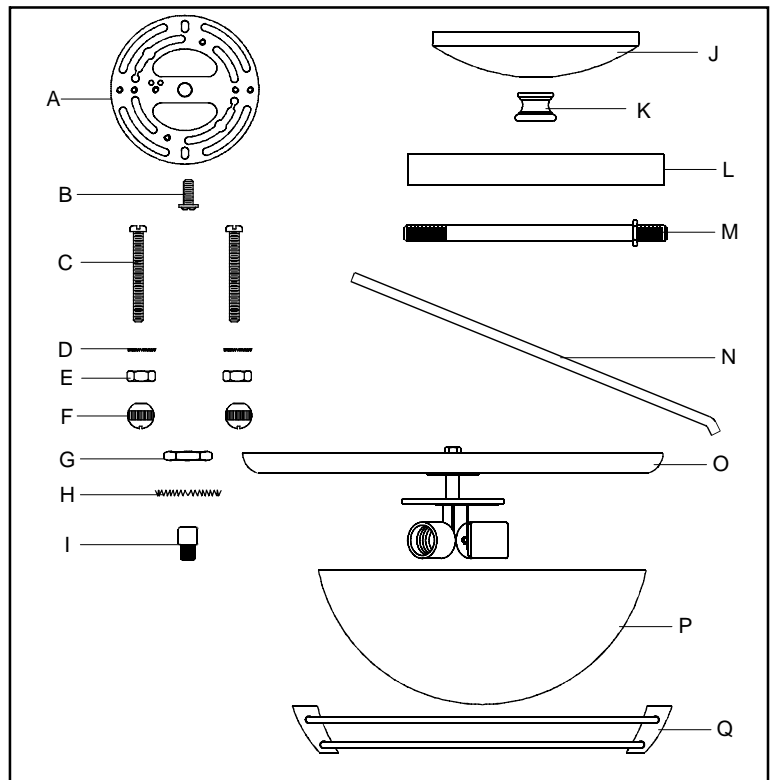


**PACKAGE CONTENTS**

Revised 2008-11-11

Part	Description	Quantity
A	Crossbar	1pc
B	Green Ground Screw	1pc
C	Mounting Screw	2pcs
D	Lock Washer (for #8-32 Screw)	2pcs
E	Hex Nut (for #8-32 Screw)	2pcs
F	Mounting Ball	2pcs
G	Hex Nut (1/8IP)	1pc
H	Lock Washer (for 1/8IP)	1pc
I	Lock Screw	3pcs
J	Ceiling Canopy	1pc
K	Wheel Part	1pc
L	Spacer Tube	1pc
M	Center Stem with Hex Nut	1pc
N	Side Rod	3pcs
O	Socket Assembly	1pc
P	Shade	1pc
Q	Shade Holder	1pc



**! WARNINGS AND CAUTIONS**

**WARNING:**

- Before beginning the installation, turn off electricity at the circuit breaker box or the main fuse box by switching off the circuit breaker or removing the fuse.

**CAUTIONS:**

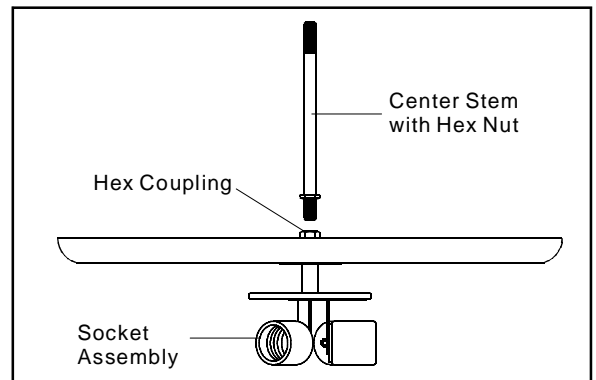
- These instructions are provided for your safety. It is very important that they are read completely before the installation of your fixture. We strongly recommend that a professional electrician install the fixture.
- Disconnect fixture from the power source before replacing the bulb(s), making sure the bulb(s) had sufficient time to cool down. DO NOT subject the lamp to any shock while lit as shattering of lamp may result.

**PREPARATION**

- Before beginning installation of product, make sure all parts are present. Compare parts with package contents list and diagram above. If any part is missing or damaged, do not attempt to assemble, install or operate the product. Contact customer service for replacement part.
- Estimated Assembly Time: 30 - 45 minutes
- Tools Required for Assembly (not included): Flathead screwdriver, Phillips screwdriver, pliers, electrical tape, wire cutters, safety glasses & 3, 100 Watt, Type-A Medium Base Bulbs.
- Helpful Tools (not included): Wire Strippers.

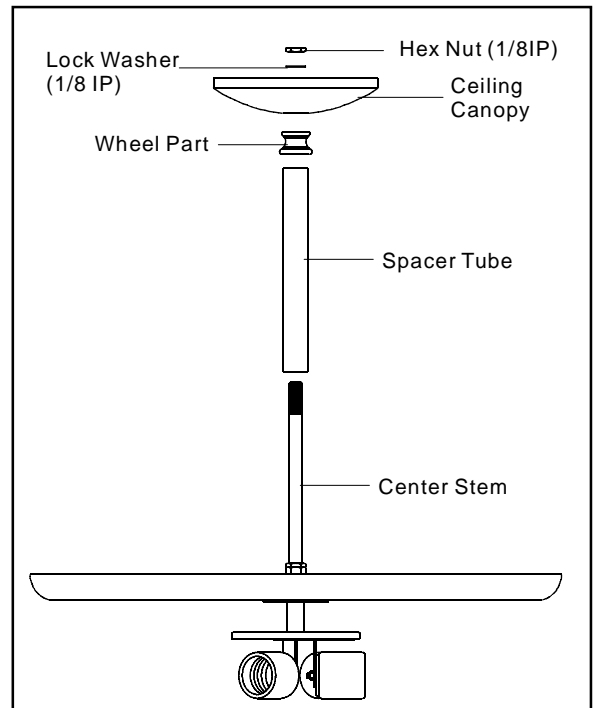
## STEP 1:

- a. Thread the Center Stem into the Hex Coupling on the top center of the Socket Assembly as shown. Using plier, thread Hex Nut against the Hex Coupling and hand tighten until snug.



## STEP 2:

- a. Locate the Spacer Tube, the Wheel Part and the Ceiling Canopy over the top end of the Center Stem in turn. Secure by threading Lock Washer (1/8IP) and Hex Nut (1/8IP) onto the Center Stem. Hand tighten until snug.

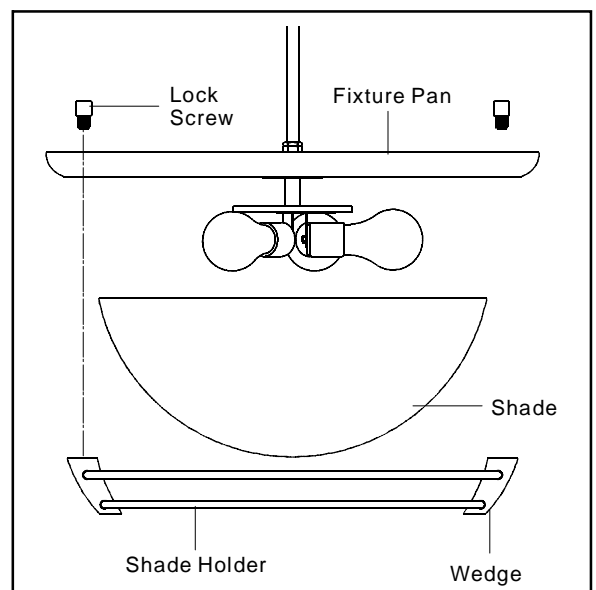


## STEP 3:

- a. Install correct bulbs referring to fixture markings and/or labels for maximum wattage.

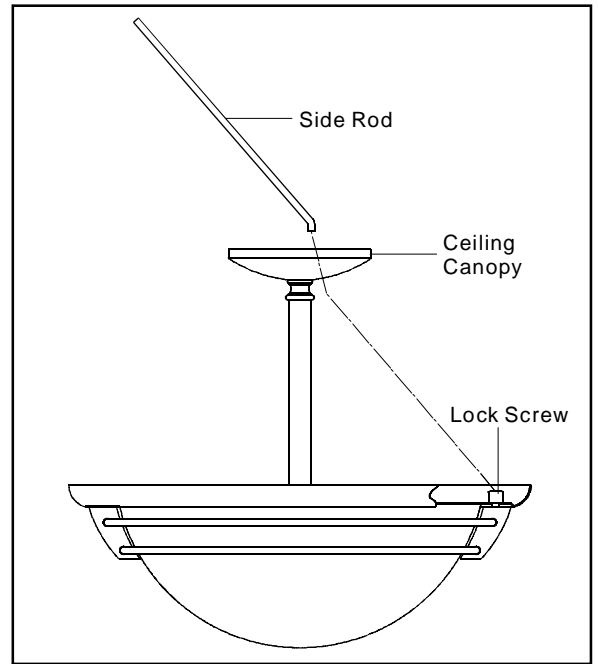
## STEP 4:

- a. Locate the Shade inside of the Shade Holder.
- b. Lift the Shade Holder with Shade upward, line up mounting holes on the Wedge and holes on the Fixture Pan. Thread Lock Screws into mounting holes on Wedges and tighten until snug to secure the Shade.



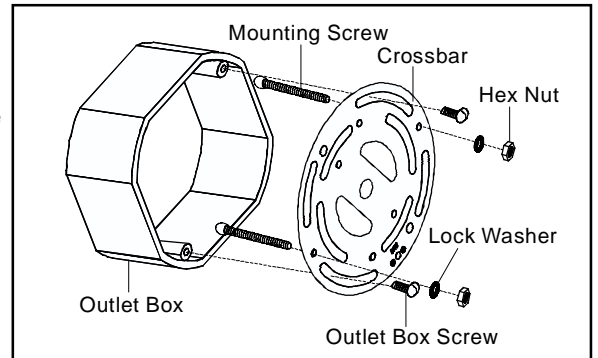
**STEP 5:**

- a. Locate Side Rods from the top of fixture, through the holes on the side of the Ceiling Canopy and then place into the holes on the heads of the Lock Screws (Refer to the illustration).



**STEP 6:**

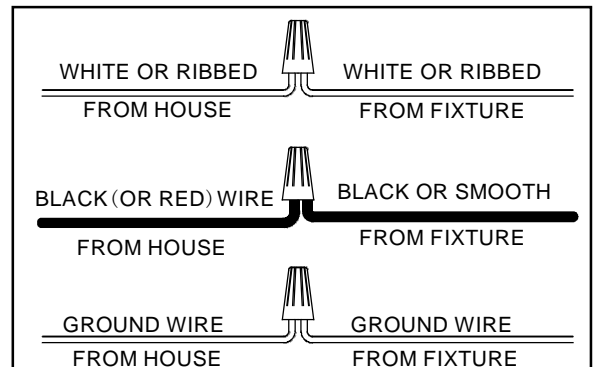
- a. Screw the Mounting Screws into the Crossbar, place the Lock Washers over the Mounting Screws and thread the Hex Nuts onto the Mounting Screws as shown. Secure the position of the Mounting Screws by tightening the Hex Nuts against the Crossbar.
- b. Secure the Crossbar to the Outlet Box with Outlet Box Screws.



**STEP 7:**

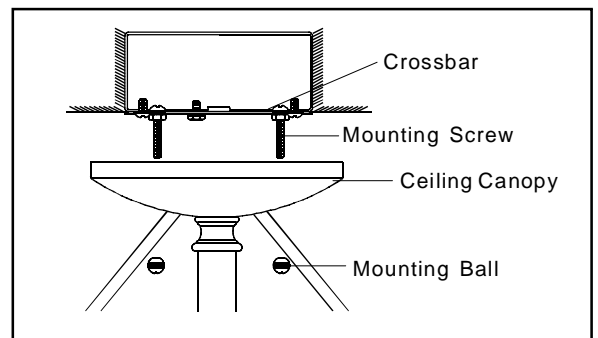
\*Use Wire Connectors (not supplied) to connect the wires.

- a. Connect the House Ground Wire to the Fixture Ground Wire.
- b. Connect the House White (or Ribbed) Wire to the Fixture Supply Wire (White or Ribbed Side).
- c. Connect the House Black (or Red) Wire to the Fixture Supply Wire (Black or Smooth Side).
- d. Wrap each connection with approved electrical tape and carefully stuff all of the connected wires into the Outlet Box.



**STEP 8:**

- a. Place Ceiling Canopy onto Outlet Box aligning 2 holes in the Backplate with 2 Mounting screws threaded on the Crossbar and secure it against wall with Mounting Balls.



Your installation is completed now. Restore electricity. Retain this sheet for future reference.