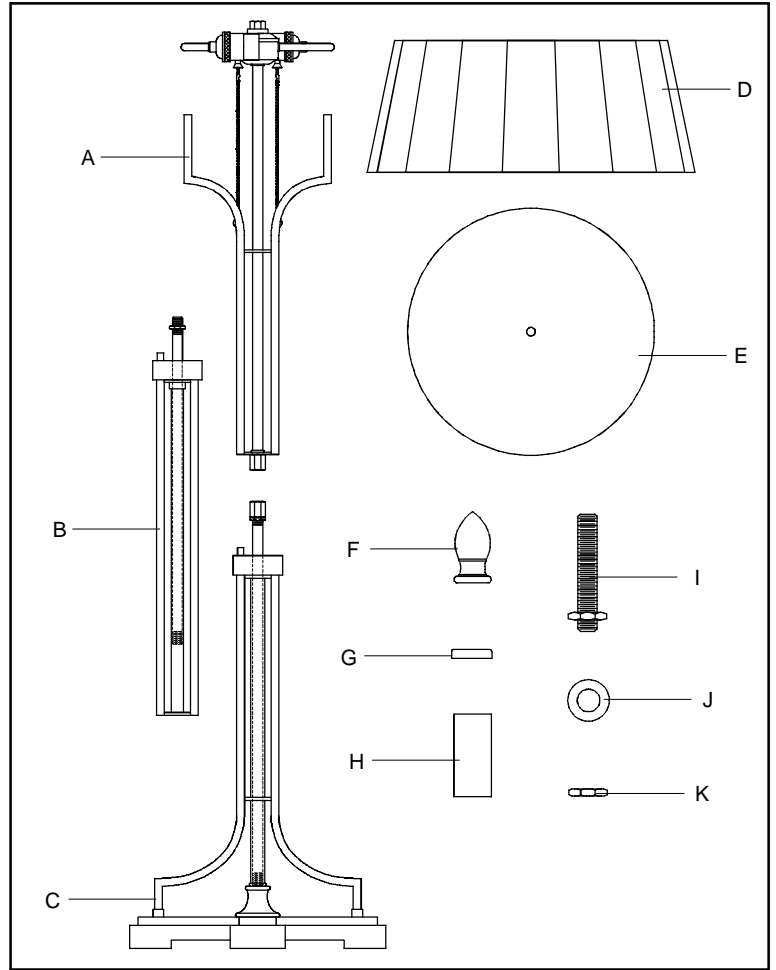


PACKAGE CONTENTS

ISSUED 06-2009

Part	Description	Quantity
A	Upper Assembly	1pc
B	Medium Assembly with Stem	1pc
C	Base Assembly with Stem	1pc
D	Shade	1pc
E	Diffuser	1pc
F	Finial	1pc
G	Check Ring	1pc
H	Spacer Tube	1pc
I	Nipple with Hex Nut	1pc
J	Washer	1pc
K	Hex Nut	1pc



CAUTIONS

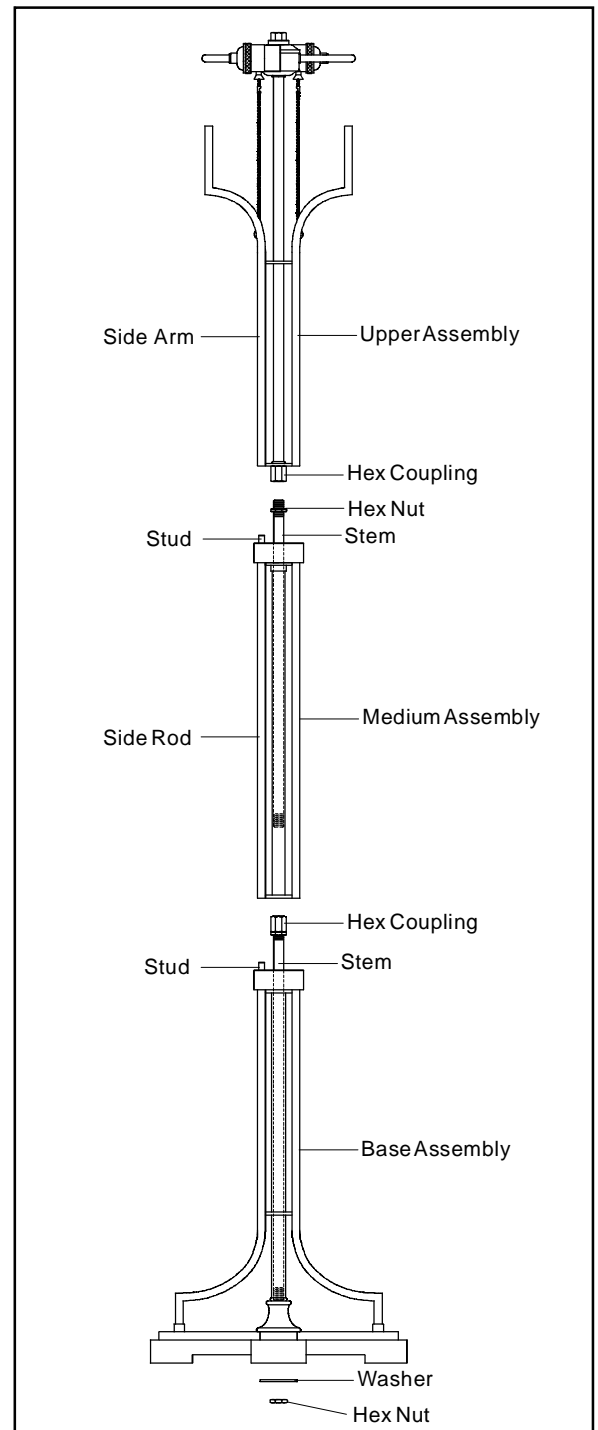
- These instructions are provided for your safety. It is very important that they are read completely before the installation of your fixture. We strongly recommend that a professional electrician install the fixture.
- Disconnect fixture from the power source before replacing the bulb(s), making sure the bulb(s) had sufficient time to cool down. DO NOT subject the lamp to any shock while lit as shattering of lamp may result.

PREPARATION

- Before beginning installation of product, make sure all parts are present. Compare parts with package and diagram above. If any part is missing or damaged, do not attempt to assemble, install or operate the product. Contact customer service for replacement part.
- Estimated Assembly Time : 15 - 30 minutes
- Tools Required for Assembly (not included) : Pliers, Safety Glasses & 2, 100 Watt, Type - A Medium Base Bulbs.

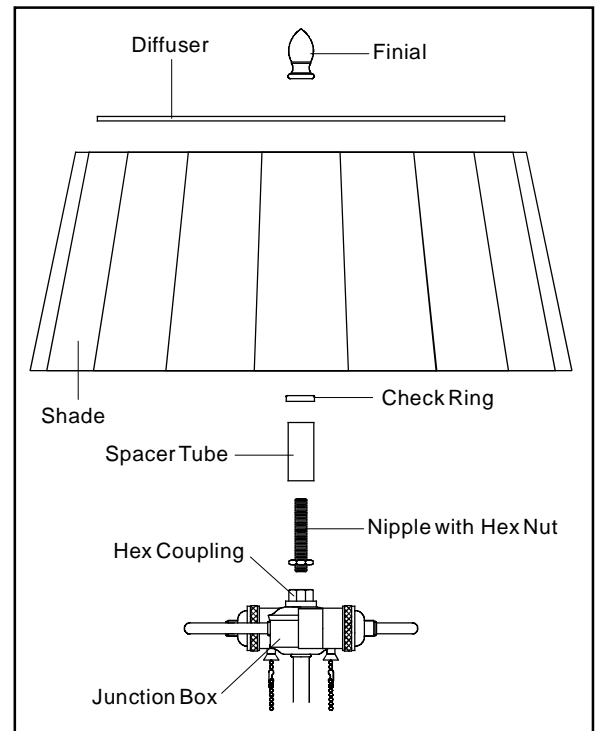
STEP 1:

- a. Thread the Hex Nut end of the Stem inside of the Medium Assembly into the Hex Coupling on the bottom center of the Upper Assembly. Using pliers, thread the Hex Nut against the Hex Coupling and tighten until snug.
- b. Locate the Medium Assembly upward and fit the Stud into one of the Side Arm on the Upper Assembly. Secure by threading the Hex Coupling end of the Stem inside of the Base Assembly onto the end of the Stem inside of the Medium Assembly. Using pliers, hand tighten until snug.
- c. Fit the Stud onto the top of the Base Assembly into the Side Rod of the Medium Assembly, which is lined up the Side Arm of Upper Assembly to fit the Stud on Medium Assembly. Pass the Washer over the Stem inside of the Base Assembly and secure with the Hex Nut. Hand tighten until snug with pliers.



STEP 2:

- a. Thread the Hex Nut end of the Nipple with Hex Nut into the Hex Coupling on the top center of the Junction Box. Using pliers, thread the Hex Nut against the Hex Coupling and tighten until snug.
- b. Pass the Spacer Tube, the Check Ring, the center hole of the Shade and the Diffuser over the top end of the Nipple. Secure by threading the Finial onto the Nipple and hand tighten until snug.



STEP 3:

- a. Install correct Bulbs referring to fixture markings and/or labels for maximum wattage.

Your assembly is completed now. Retain this sheet for future reference.