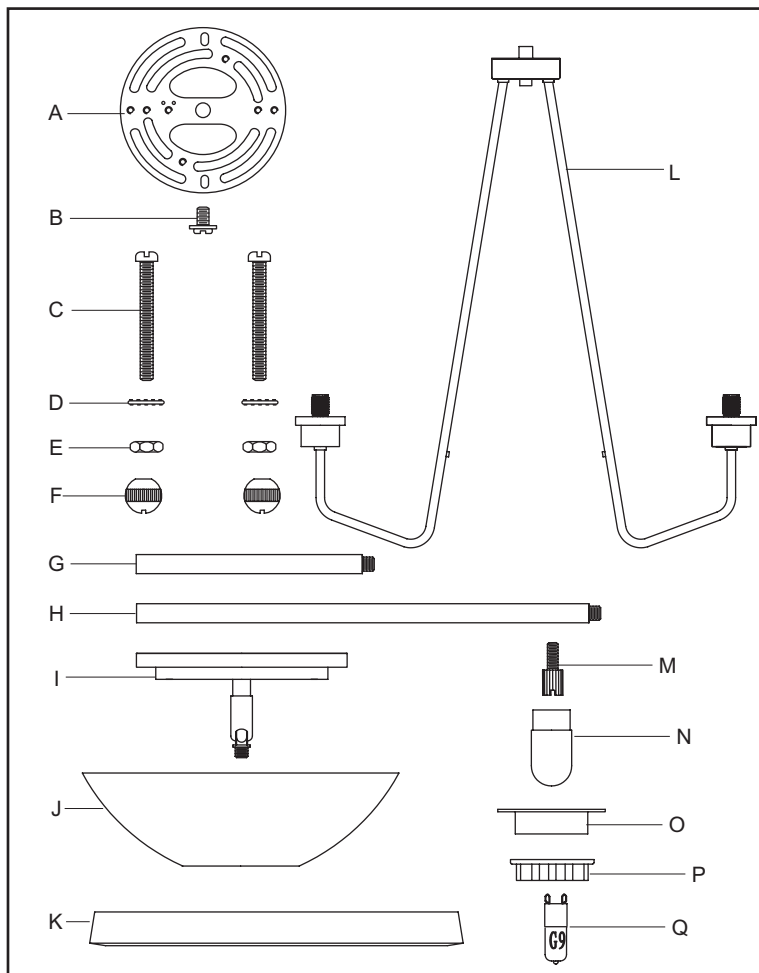


**PACKAGE CONTENTS**

ISSUED 03-2011

PART	DESCRIPTION	QUANTITY
A	Crossbar	1 pc
B	Green Ground Screw	1 pc
C	Mounting Screw	2 pcs
D	Lock Washer	2 pcs
E	Hex Nut	2 pcs
F	Mounting Ball	2 pcs
G	6" Rod	2 pcs
H	12" Rod	2 pcs
I	Ceiling Canopy	1 pc
J	Shade	4 pcs
K	Ring	1 pc
L	Fixture Assembly	1 pc
M	Lock Screw	4 pcs
N	Bulb Shield	4 pcs
O	Steel Collar	4 pcs
P	Socket Collar	4 pcs
Q	Halogen Bulb (G9)	4 pcs



**! WARNINGS AND CAUTIONS**

**WARNING:**

- Before beginning the installation, turn off electricity at the circuit breaker box or the main fuse box by switching off the circuit breaker or removing the fuse.

**CAUTION:**

- These instructions are provided for your safety. It is very important that they are read completely before the installation of your fixture. We strongly recommend that a professional electrician install the fixture.
- Disconnect fixture from the power source before replacing the bulb(s), making sure that bulb(s) had sufficient time to cool down. DO NOT subject the lamp to any shock while lit as shattering of lamp may result.

## PREPARATION

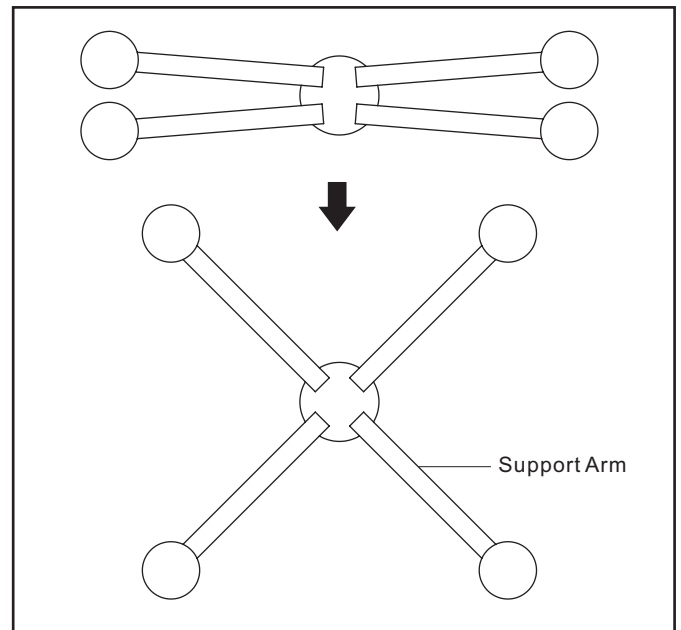
STYLE NUMBER: PHO5004WT,PHO5004BN

- Before beginning installation of product, make sure all parts are present. Compare parts with package contents list and diagram above. If any part is missing or damaged, do not attempt to assemble, install or operate the product. Contact customer service for replacement part.
- Estimated Assembly Time: 30 - 45 minutes
- Tool Required for Assembly (not included): Flathead screwdriver, Phillips screwdriver, Pliers, Electrical tape, Wire cutter, Safety glasses and (4)100W, Frosted G9 Halogen Bulbs (supplied).
- Helpful Tools (not included): Wire strippers.

## INSTALLATION INSTRUCTIONS

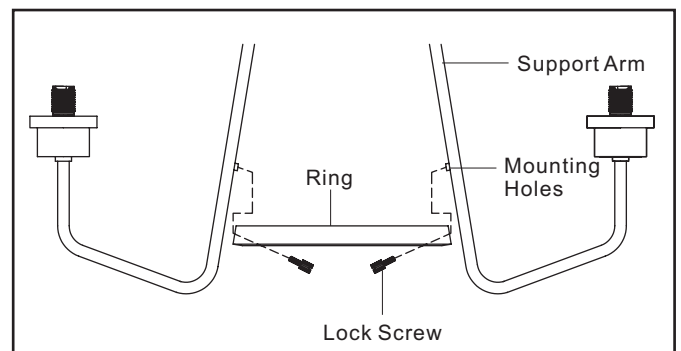
### STEP 1:

- a. Unfold Support Arms to proper locations as shown.



### STEP 2:

- a. Lift the Ring upward, attach to the Support Arms. Line up holes on the Ring and Mounting Holes on the Support Arms. Secure the Ring by threading Lock Screws into the Mounting Holes on the Support Arms. Hand-tighten until snug.

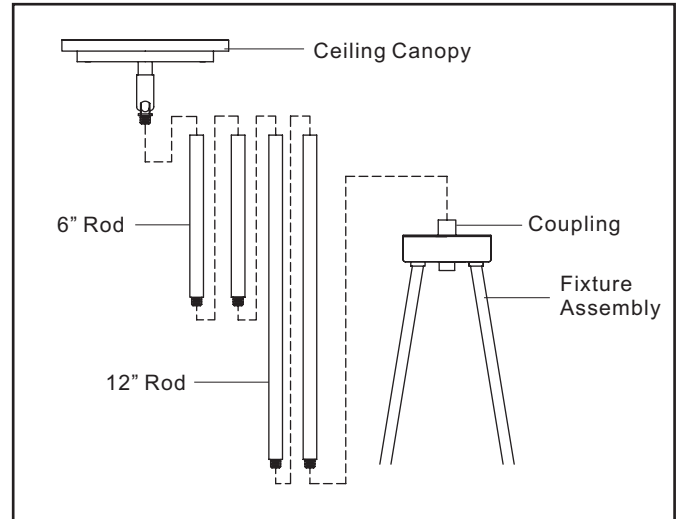


# INSTALLATION INSTRUCTIONS

STYLE NUMBER: PHO5004WT,PHO5004BN

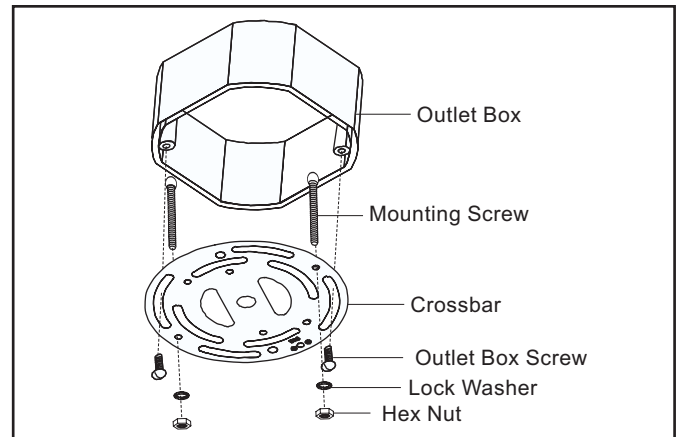
## STEP 3:

- Determine the Rods to be assembled according to your desired hanging height.
- Pass the Supply Wires with Ground Wire through the chosen Rods and then thread Rods and Fixture Assembly together as shown. Hand-tighten until snug.



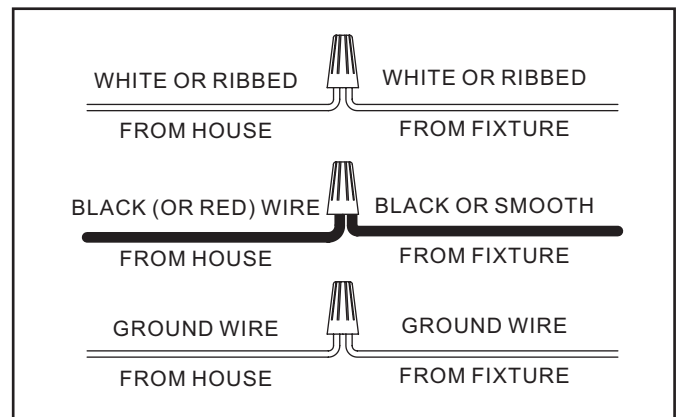
## STEP 4:

- Screw the Mounting Screws into the Crossbar, place the Lock Washers over the Mounting Screws and thread the Hex Nuts onto the Mounting Screws as shown. Secure the position of the Mounting Screws by tightening the Hex Nuts against the Crossbar.
- Secure the Crossbar to the Outlet Box with Outlet Box Screws.



## STEP 5:

- ★ Use Wire Connectors (not supplied) to connect the wires.
- Connect the House Ground Wire to the Fixture Ground Wire.
  - Connect the House White (or Ribbed) Wire to the Fixture Supply Wire (Black or Smooth Side).
  - Connect the House Black (or Red) Wire to the Fixture Supply Wire (Black or Smooth Side).
  - Wrap each connection with approved electrical tape and carefully stuff all of the connected wires into the Outlet Box.

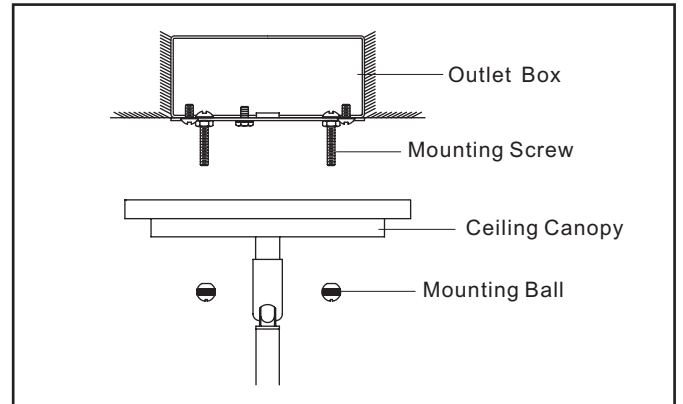


## INSTALLATION INSTRUCTIONS

STYLE NUMBER: PHO5004WT,PHO5004BN

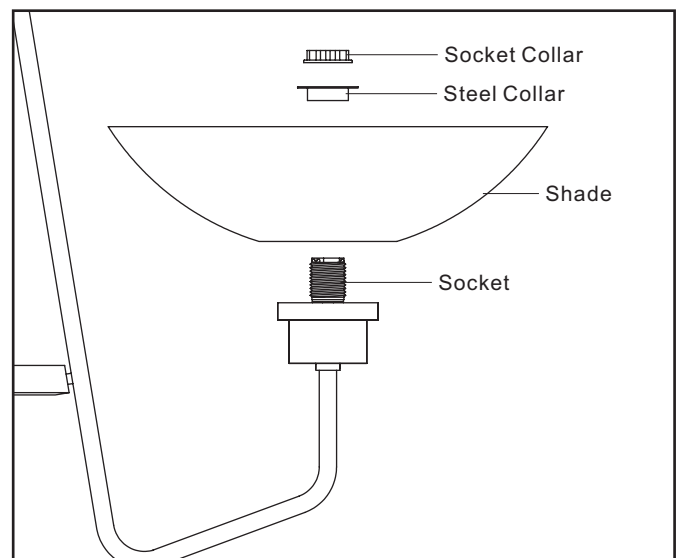
### STEP 6:

- a. Place the Ceiling Canopy over the Mounting Screws and secure with the Mounting Balls. Hand-tighten until snug.



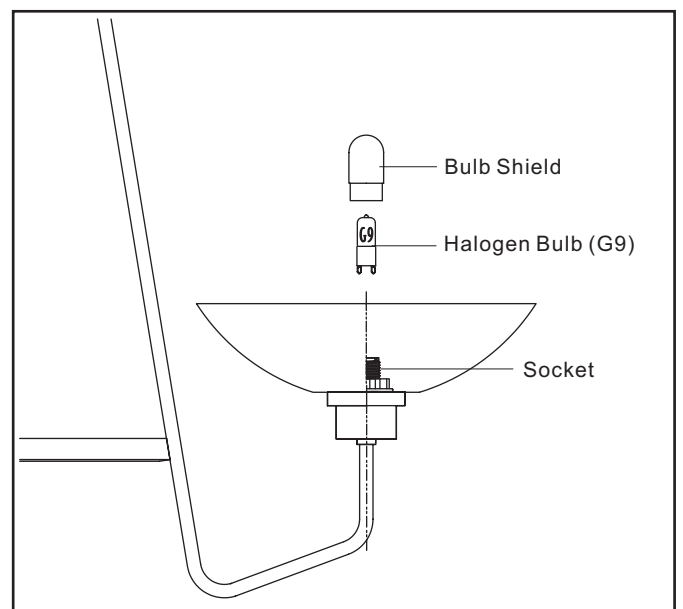
### STEP 7:

- a. Place the Shade and the Steel Collar over the Socket as shown. Secure by threading the Socket Collar onto the Socket. Hand tighten until snug.



### STEP 8:

- a. Install correct Bulbs referring to fixture markings and/or labels for maximum wattage.
- b. Thread the Bulb Shield onto the Socket to cover the Halogen Bulb (G9). Hand tighten until snug.



Your installation is completed now. Restore electricity. Retain this sheet for future reference.