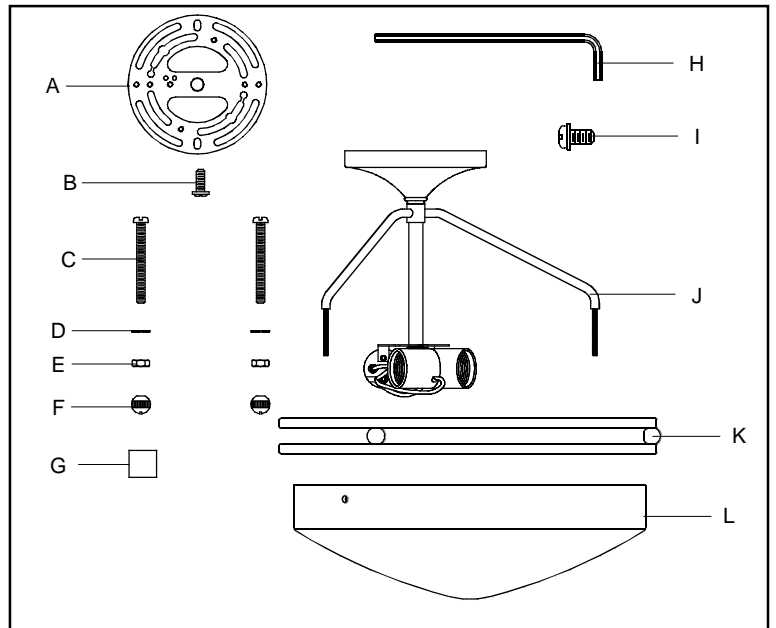


PACKAGE CONTENTS

ISSUED 10-2008

Revised 2009-04-24

Part	Description	Quantity
A	Crossbar	1pc
B	Green Ground Screw	1pc
C	Mounting Screw	2pcs
D	Lock Washer	2pcs
E	Hex Nut (for Mounting Screw)	2pcs
F	Mounting Ball	2pcs
G	Lock Ball	3pcs
H	Hexagon Ring Spanner	1pc
I	Lock Screw with Washer	3pcs
J	Fixture Body	1pc
K	Frame	1pc
L	Shade	1pc



! WARNINGS AND CAUTIONS

WARNING:

- Before beginning the installation, turn off electricity at the circuit breaker box or the main fuse box by switching off the circuit breaker or removing the fuse.

CAUTIONS:

- These instructions are provided for your safety. It is very important that they are read completely before the installation of your fixture. We strongly recommend that a professional electrician install the fixture.
- Disconnect fixture from the power source before replacing the bulb(s), making sure the bulb(s) had sufficient time to cool down. DO NOT subject the lamp to any shock while lit as shattering of lamp may result.

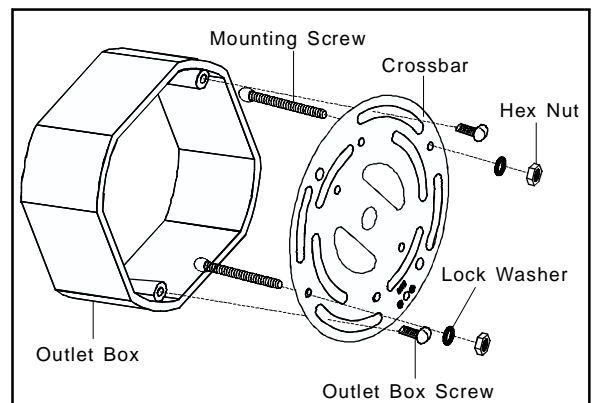
PREPARATION

- Before beginning installation of product, make sure all parts are present. Compare parts with package contents list and diagram above. If any part is missing or damaged, do not attempt to assemble, install or operate the product. Contact customer service for replacement part.
- Estimated Assembly Time: 15 - 30 minutes
- Tools Required for Assembly (not included): Flathead screwdriver, Phillips screwdriver, pliers, electrical tape, wire cutters, safety glasses & 3, 100 Watt, Type-A Medium Base Bulbs.
- Helpful Tools (not included): Wire Strippers.

INSTALLATION INSTRUCTIONS:

STEP 1:

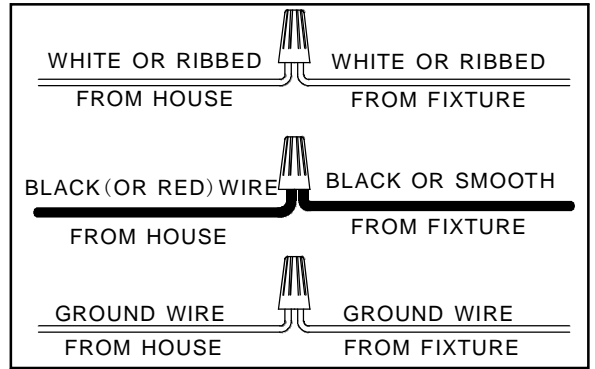
- a. Screw the Mounting Screws into the Crossbar, place the Lock Washers over the Mounting Screws and thread the Hex Nuts onto the Mounting Screws as shown. Secure the position of the Mounting Screws by tightening the Hex Nuts against the Crossbar.
- b. Secure the Crossbar to the Outlet Box with Outlet Box Screws.



STEP 2:

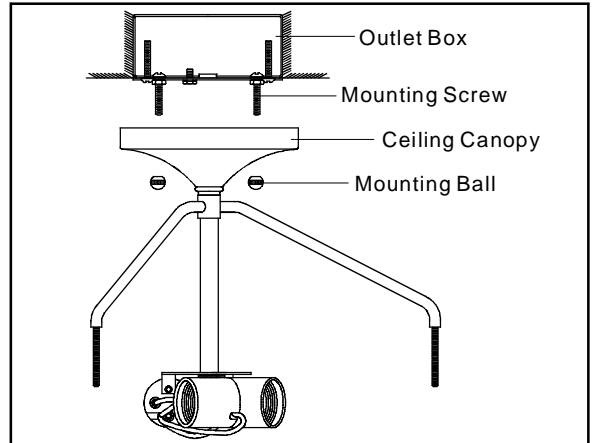
*Use Wire Connectors (not supplied) to connect the wires.

- a. Connect the House Ground Wire to the Fixture Ground Wire.
- b. Connect the House White (or Ribbed) Wire to the Fixture Supply Wire (White or Ribbed Side).
- c. Connect the House Black (or Red) Wire to the Fixture Supply Wire (Black or Smooth Side).
- d. Wrap each connection with approved electrical tape and carefully stuff all of the connected wires into the Outlet Box.



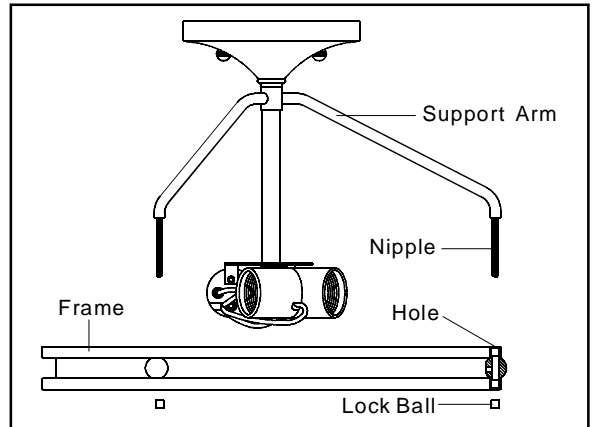
STEP 3:

- a. Carefully tuck all wires into the wall mounted outlet box and position the fixture over the outlet box.
- b. Align the holes in the Ceiling Canopy with the Mounting Screws attached to the Crossbar.
- c. Pass the fixture over the Mounting Screws and secure by threading Mounting Balls onto end of screw. Tighten until snug.



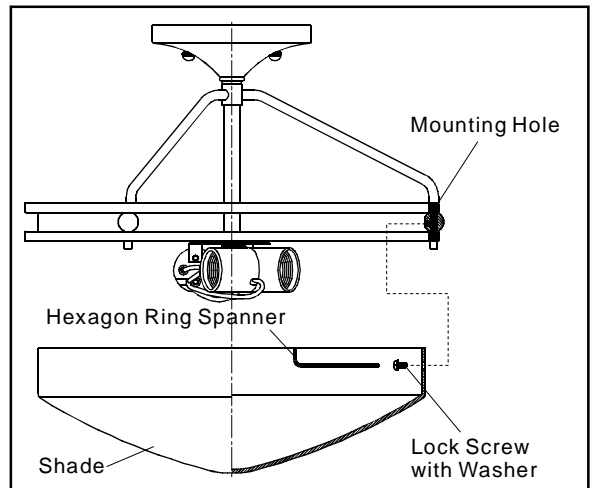
STEP 4:

- a. Lift the Frame upward and place the holes over Nipples on the ends of Support Arms. Secure by threading Lock Balls onto the Nipple and hand tighten until snug.



STEP 5:

- a. Locate the Shade from the underside of the fixture. Line up side holes on the Shade onto Mounting Holes on the Frame.
- b. Using Hexagon Ring Spanner, thread Lock Screw with Washer into the Mounting Holes and hand tighten until snug to secure the Shade.



STEP 6:

- a. Install correct bulbs referring to the fixture markings and/or labels for maximum wattage.

Your installation is completed now. Restore electricity. Keep this sheet for future reference.