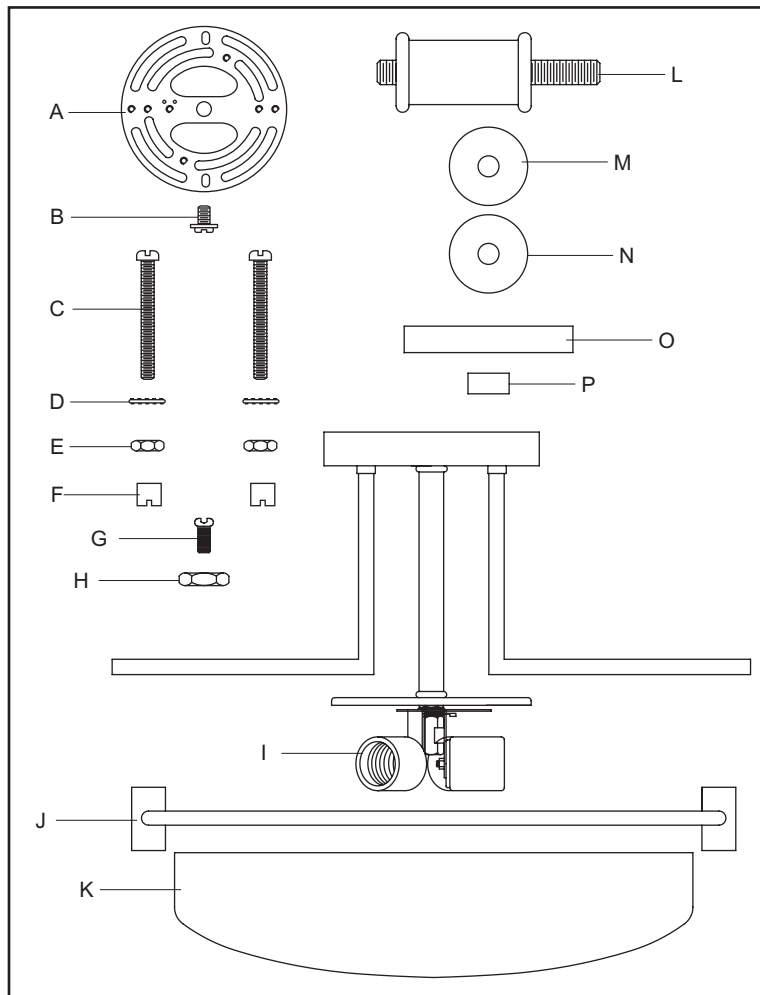


PACKAGE CONTENTS

ISSUED 07-2010

REVISED 2011-01-27

PART	DESCRIPTION	QUANTITY
A	Crossbar	1 pc
B	Green Ground Screw	1 pc
C	Mounting Screw	2 pcs
D	Lock Washer	2 pcs
E	Small Hex Nut	2 pcs
F	Mounting Ball	2 pcs
G	Lock Screw	3 pcs
H	1/8IP Hex Nut	1 pc
I	Socket Assembly	1 pc
J	Ring	1 pc
K	Shade	1 pc
L	Center Stem Assembly	1 pc
M	Flat Washer	2 pcs
N	Rubber Washer	2 pcs
O	Cap	1 pc
P	Finial	1 pc



! WARNINGS AND CAUTIONS

WARNING:

- Before beginning the installation, turn off electricity at the circuit breaker box or the main fuse box by switching off the circuit breaker or removing the fuse.

CAUTION:

- These instructions are provided for your safety. It is very important that they are read completely before the installation of your fixture. We strongly recommend that a professional electrician install the fixture.
- Disconnect fixture from the power source before replacing the bulb(s), making sure that bulb(s) had sufficient time to cool down. DO NOT subject the lamp to any shock while lit as shattering of lamp may result.

PREPARATION

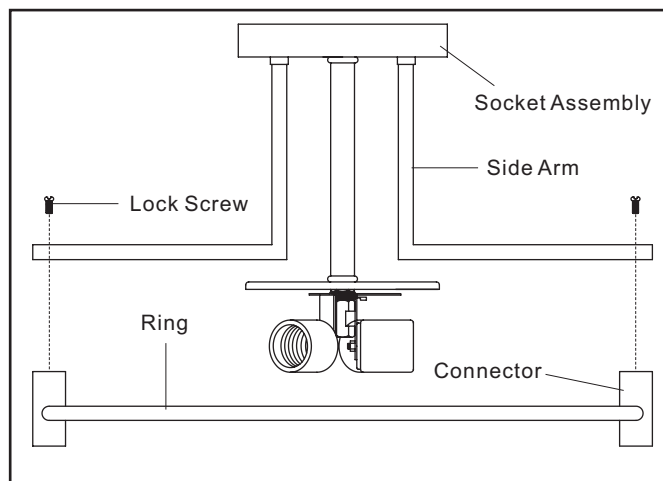
STYLE NUMBER: TY1716AN, TY1716WT

- Before beginning installation of product, make sure all parts are present. Compare parts with package contents list and diagram above. If any part is missing or damaged, do not attempt to assemble, install or operate the product. Contact customer service for replacement part.
- Estimated Assembly Time: 30 - 45 minutes
- Tool Required for Assembly (not included): Flathead screwdriver, Phillips screwdriver, Pliers, Electrical tape, Wire cutter, Safety glasses and (3) 100W Type-A medium base bulbs.
- Helpful Tools (not included): Wire strippers.

INSTALLATION INSTRUCTIONS

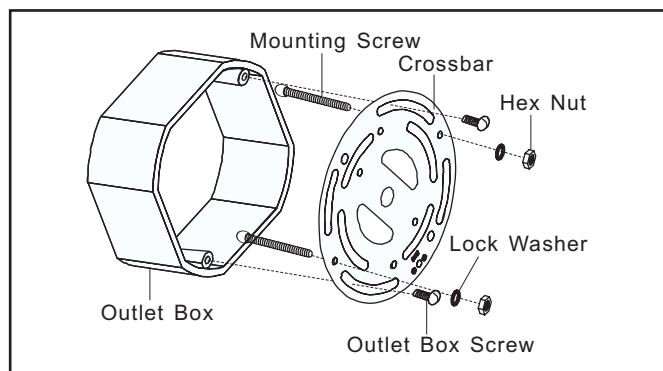
STEP 1:

- a. Attach the Connectors on the Ring to the bottom of the Side Arms. Line up mounting holes on the Connectors and holes on the Side Arms. Using screwdriver, thread Lock Screws into the mounting holes on Connectors to secure them together. Hand-tighten until snug.



STEP 2:

- a. Screw the Mounting Screws into the Crossbar, place the Lock Washers over the Mounting Screws and thread the Hex Nuts onto the Mounting Screws as shown. Secure the position of the Mounting Screws by tightening the Hex Nuts against the Crossbar.
- b. Secure the Crossbar to the Outlet Box with Outlet Box Screws.

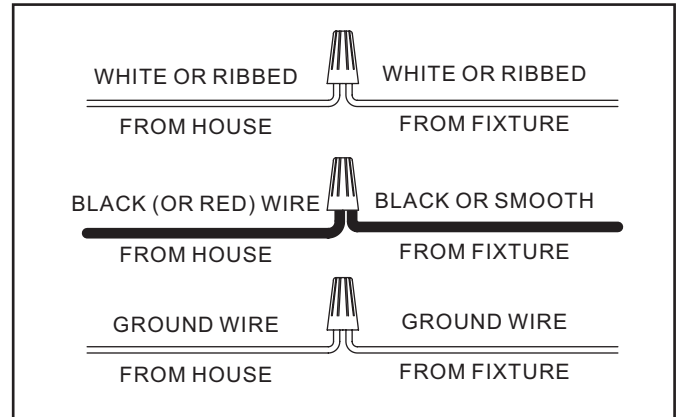


INSTALLATION INSTRUCTIONS

STYLE NUMBER: TY1716AN, TY1716WT

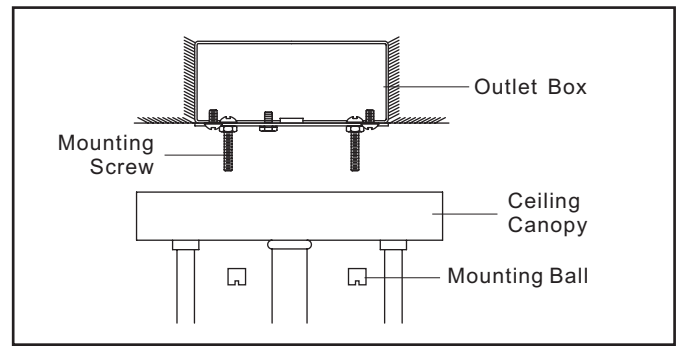
STEP 3:

- ★ Use Wire Connectors (not supplied) to connect the wires.
- a. Connect the House Ground Wire to the Fixture Ground Wire.
- b. Connect the House White (or Ribbed) Wire to the Fixture Supply Wire (Black or Smooth Side).
- c. Connect the House Black (or Red) Wire to the Fixture Supply Wire (Black or Smooth Side).
- d. Wrap each connection with approved electrical tape and carefully stuff all of the connected wires into the Outlet Box.



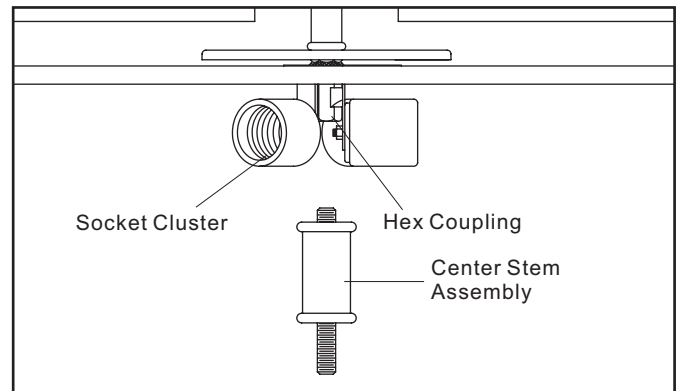
STEP 4:

- a. Place the Ceiling Canopy over the Mounting Screws and secure with the Mounting Balls. Hand-tighten until snug.



STEP 5:

- a. Screw the short nipple end of the Center Stem Assembly into the Hex Coupling underside of the Socket Cluster. Hand-tighten until snug.

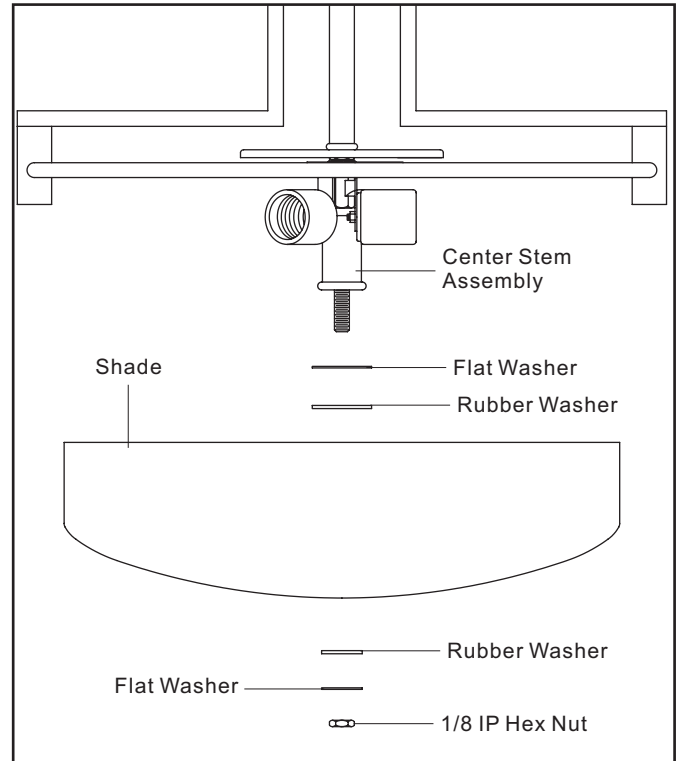


INSTALLATION INSTRUCTIONS

STYLE NUMBER: TY1716AN, TY1716WT

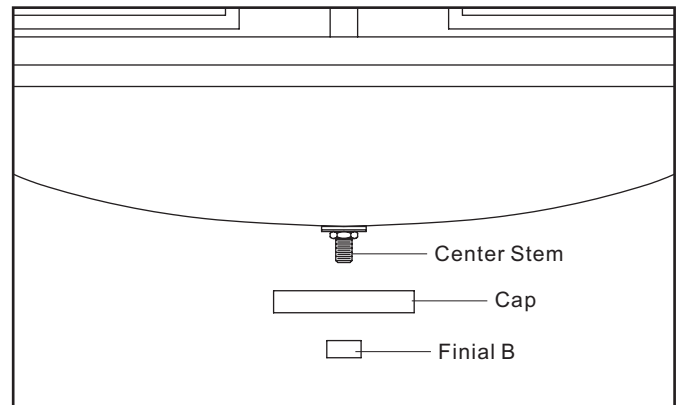
STEP 6:

- a. Pass the Flat Washers, the Rubber Washers and the Shade over the end of the Center Stem Assembly as shown. Secure them by threading the 1/8 IP Hex Nut onto the Center Stem. Hand-tighten until snug.



STEP 7:

- a. Place the Cap over the end of the Center Stem and secure with the Finial B. Hand-tighten until snug.



STEP 8:

- a. Install correct bulbs referring to fixture markings and/or labels for maximum wattage.

Your installation is completed now. Restore electricity. Retain this sheet for future reference.