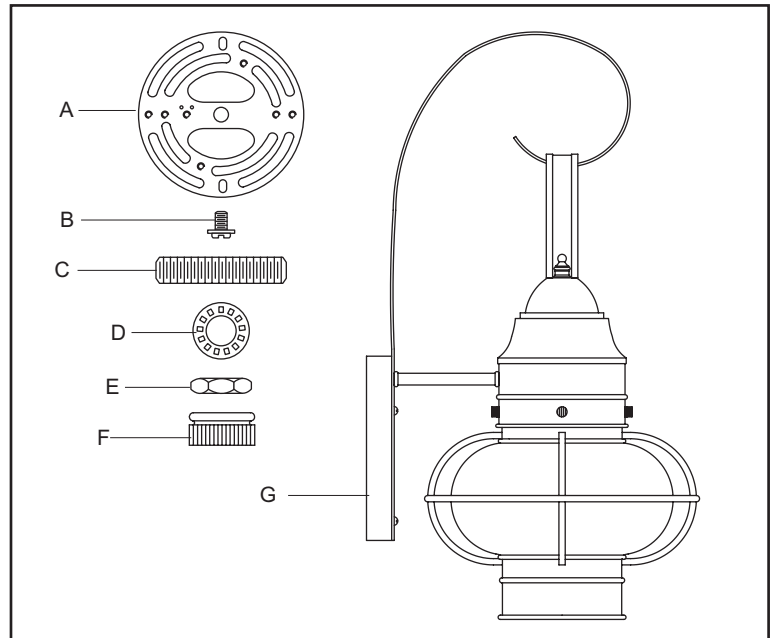


PACKAGE CONTENTS

ISSUED 08-2010

REVISED 2010-09-30

PART	DESCRIPTION	QUANTITY
A	Crossbar	1 pc
B	Green Ground Screw	1 pc
C	Nipple	1 pc
D	Lock Washer	1 pc
E	Hex Nut	1 pc
F	Lock Ball	1 pc
G	Fixture Body	1 pc



! WARNINGS AND CAUTIONS

WARNING:

- Before beginning the installation, turn off electricity at the circuit breaker box or the main fuse box by switching off the circuit breaker or removing the fuse.

CAUTION:

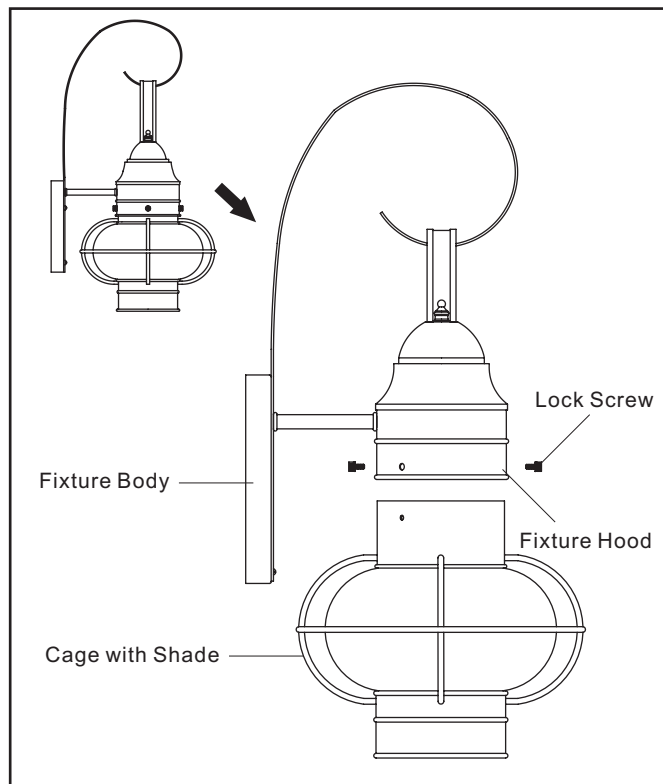
- These instructions are provided for your safety. It is very important that they are read completely before the installation of your fixture. We strongly recommend that a professional electrician install the fixture.
- Disconnect fixture from the power source before replacing the bulb(s), making sure that bulb(s) had sufficient time to cool down. DO NOT subject the lamp to any shock while lit as shattering of lamp may result.

PREPARATION

- Before beginning installation of product, make sure all parts are present. Compare parts with package contents list and diagram above. If any part is missing or damaged, do not attempt to assemble, install or operate the product. Contact customer service for replacement part.
- Estimated Assembly Time: 20 - 30 minutes
- Tool Required for Assembly (not included): Flathead screwdriver, Phillips screwdriver, Pliers, Electrical tape, Wire cutter, Safety glasses and (1) 100W A19 medium base bulb.
- Helpful Tools (not included): Wire strippers.

STEP 1:

- a. Take apart the Cage with Shade from the Fixture Hood by unscrewing the Lock Screws.

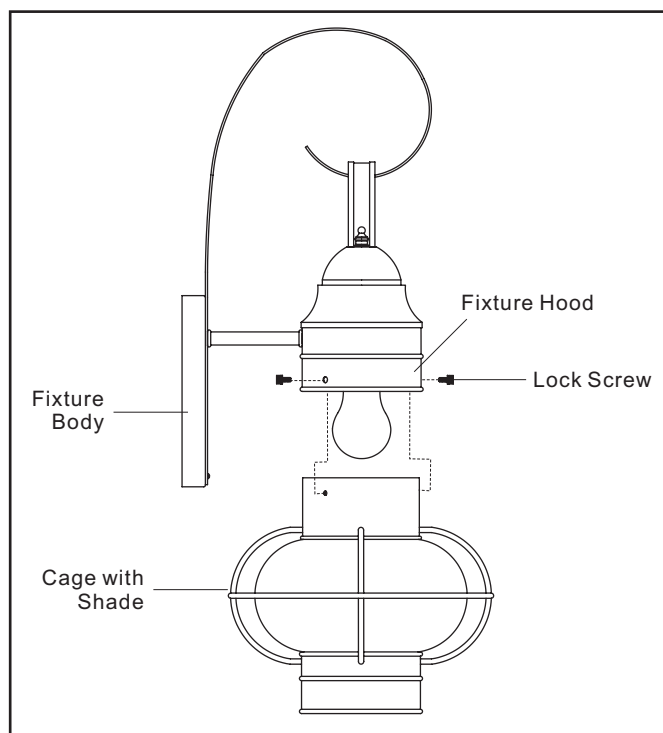


STEP 2:

- a. Install the correct bulb referring to fixture markings and/or labels for maximum wattage.

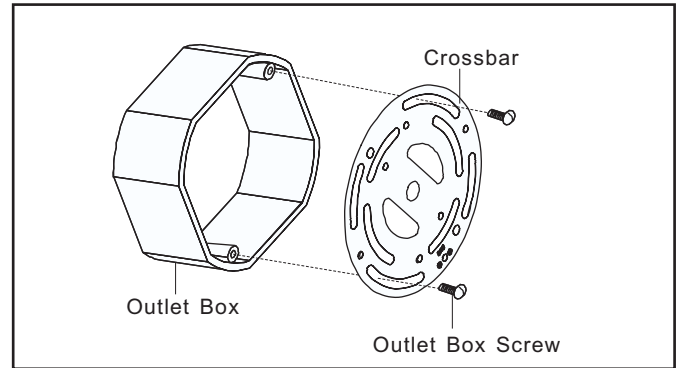
STEP 3:

- a. Place the Cage with Shade back into the Fixture Hood and secure with Lock Screws. Hand-tighten until snug.



STEP 4:

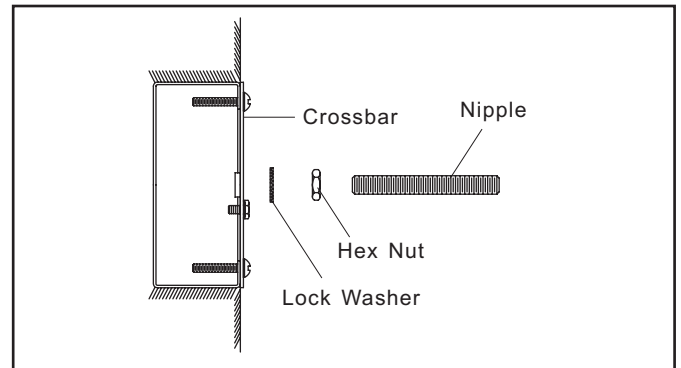
- a. Secure the Crossbar to the Outlet Box with Outlet Box Screws.



STEP 5:

★ Pliers is required for this step.

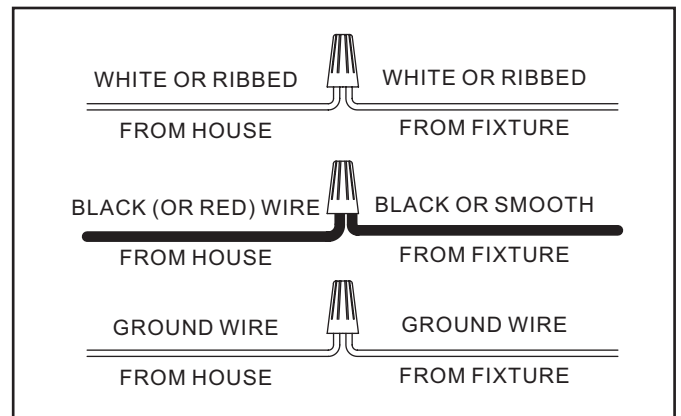
- a. Thread the Hex Nut onto one end of the Nipple.
- b. Place the Lock Washer over the Hex Nut end of the Nipple and then thread the Nipple into the center lock hole of the Crossbar.
- c. Using pliers, thread the Hex Nut against the Crossbar and hand-tighten until snug.



STEP 6:

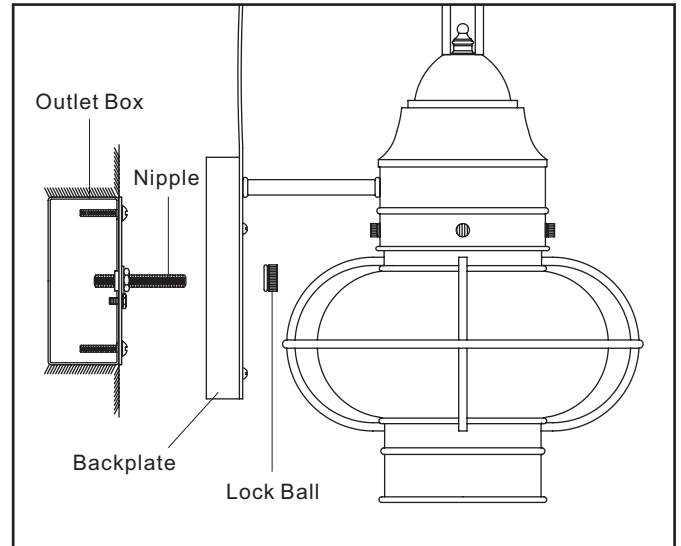
★ Use Wire Connectors (not supplied) to connect the wires.

- a. Connect the House Ground Wire to the Fixture Ground Wire.
- b. Connect the House White (or Ribbed) Wire to the Fixture Supply Wire (Black or Smooth Side).
- c. Connect the House Black (or Red) Wire to the Fixture Supply Wire (Black or Smooth Side).
- d. Wrap each connection with approved electrical tape and carefully stuff all of the connected wires into the Outlet Box.



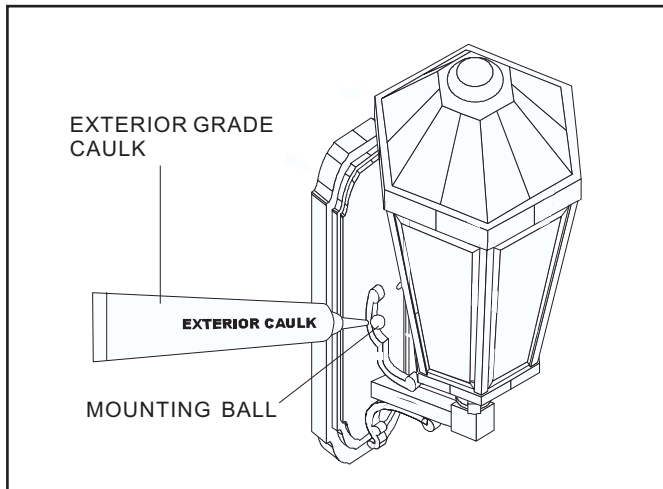
STEP 7:

- a. Place the Backplate over the Outlet Box as shown. Secure by threading the Lock Ball onto the Nipple. Hand-tighten until snug.



STEP 8:

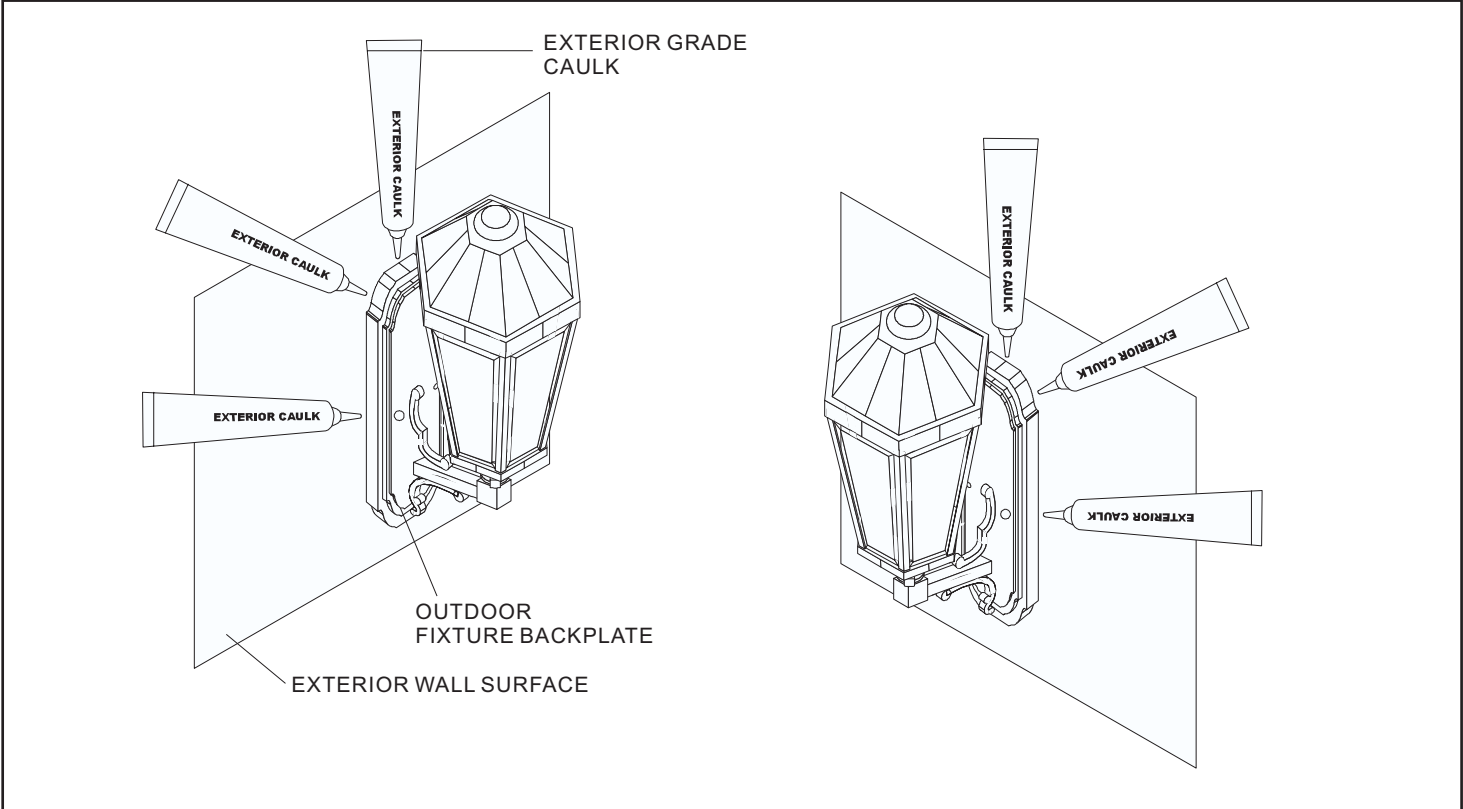
- a. Refer to the following information for caulking instructions:



For assemble the MOUNTING BALLS, please note that you are required to apply a small amount of Silicone sealer to the threaded side of the MOUNTING BALLS and then install them onto the MOUNTING SCREWS.

With the OUTDOOR FIXTURE properly installed in accordance with supplied Assembly/installation instructions, proceed with caulking instructions below.

Note: Be sure EXTERIOR WALL SURFACE and FIXTURE BACKPLATE are free to dirt to caulking. Using EXTERIOR GRADE CAULK, start on one side of FIXTURE BACKPLATE and follow contour, were the FIXTURE BACKPLATE meets the EXTERIOR WALL SURFACE upward. Proceed to caulk over top of backplate and down other side. **DO NOT CAULK BOTTOM OF FIXTURE BACKPLATE** to ensure proper moisture drainage.



Your installation is completed now. Restore electricity. Retain this sheet for future reference.