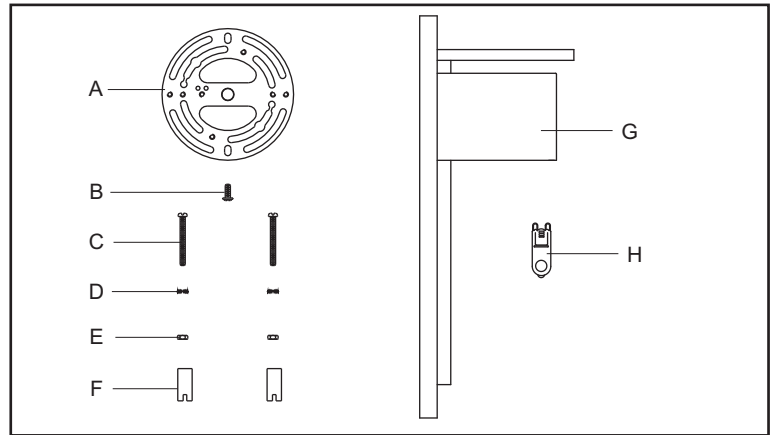


PACKAGE CONTENTS

ISSUED 09-2008

Revised 2009-05-07

Part	Description	Quantity
A	Crossbar	1pc
B	Green Ground Screw	1pc
C	Mounting Screw	2pcs
D	Lock Washer	2pcs
E	Hex Nut (for Mounting Screw)	2pcs
F	Mounting Ball	2pcs
G	Fixture Body	1pc
H	Bulb	1pc



! WARNINGS AND CAUTIONS

WARNING:

- Before beginning the installation, turn off electricity at the circuit breaker box or the main fuse box by switching off the circuit breaker or removing the fuse.

CAUTIONS:

- These instructions are provided for your safety. It is very important that they are read completely before the installation of your fixture. We strongly recommend that a professional electrician install the fixture.
- Disconnect fixture from the power source before replacing the bulb(s), making sure the bulb(s) had sufficient time to cool down. DO NOT subject the lamp to any shock while lit as shattering of lamp may result.
- Do not touch the bulb with bare hands use a cloth or glove.

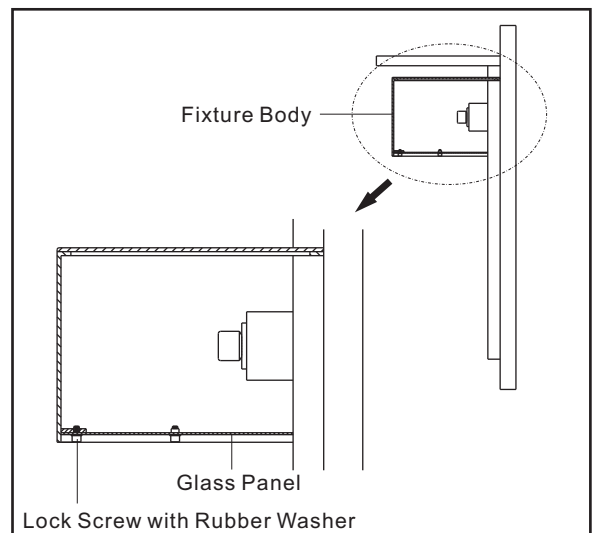
PREPARATION

- Before beginning installation of product, make sure all parts are present. Compare parts with package contents list and diagram above. If any part is missing or damaged, do not attempt to assemble, install or operate the product. Contact customer service for replacement part.
- Estimated Assembly Time: 10 - 20 minutes
- Tools Required for Assembly (not included): Flathead screwdriver, Phillips screwdriver, pliers, electrical tape, wire cutters, safety glasses & 1, 50 Watt, T4 Mini Candelabra Base Bulb (supplied).
- Helpful Tools (not included): Wire Strippers.

INSTALLATION INSTRUCTIONS

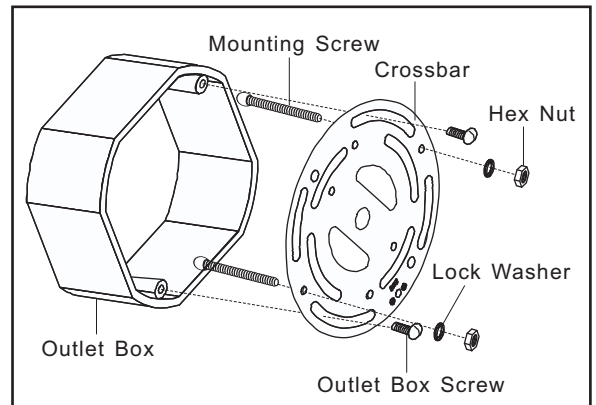
STEP 1:

- Locate the Fixture Body onto a flat work surface.
- Loose Lock Screws with Rubber Washers and then remove them and Glass Panel from the fixture.



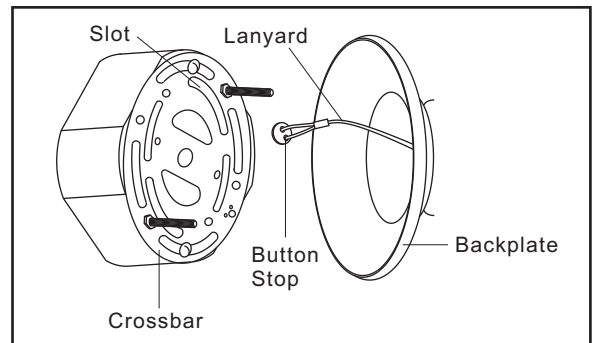
STEP 2:

- Screw the Mounting Screws into the Crossbar, place the Lock Washers over the Mounting Screws and thread the Hex Nuts onto the Mounting Screws as shown. Secure the position of the Mounting Screws by tightening the Hex Nuts against the Crossbar.
- Secure the Crossbar to the Outlet Box with Outlet Box Screws.



STEP 3:

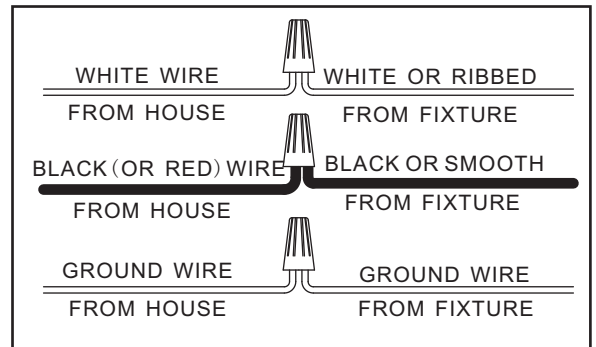
- Locate the Fixture Canopy onto the Crossbar and slip the Button Stop on the end of Lanyard into the Slot on the Crossbar as shown.



STEP 4:

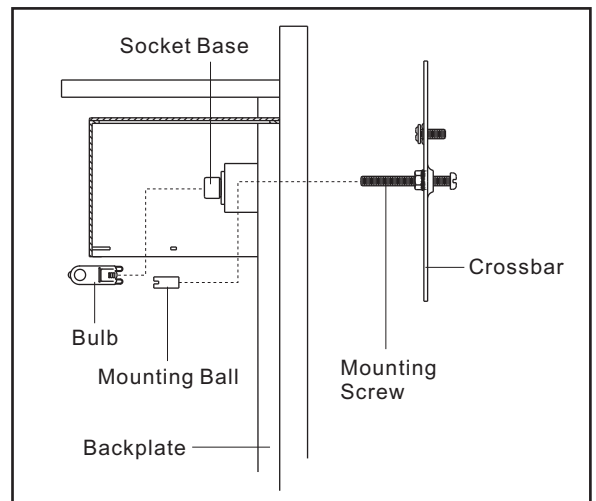
* Use Wire Connectors (not supplied) to connect the wires.

- Connect the House Ground Wire to the Fixture Ground Wire.
- Connect the House White Wire to the Fixture Supply Wire (White or Ribbed Side).
- Connect the House Black (or Red) Wire to the Fixture Supply Wire (Black or Smooth Side).
- Wrap each connection with approved electrical tape and carefully stuff all of the connected wires into the Outlet Box.



STEP 5:

- Place the Backplate over the Mounting Screws and thread Mounting Balls onto the Mounting Screws to secure it. Hand tighten until snug.
IMPORTANT: Do not touch the bulb with bare hands use a cloth or glove.
- Push the Bulb into the Socket Base as shown.



STEP 6:

- Place the removed Glass Panel back onto the Fixture Body and secure with Lock Screws with Rubber Washers. Tighten until snug.

Your installation is completed now. Restore electricity. Keep this sheet for future reference.