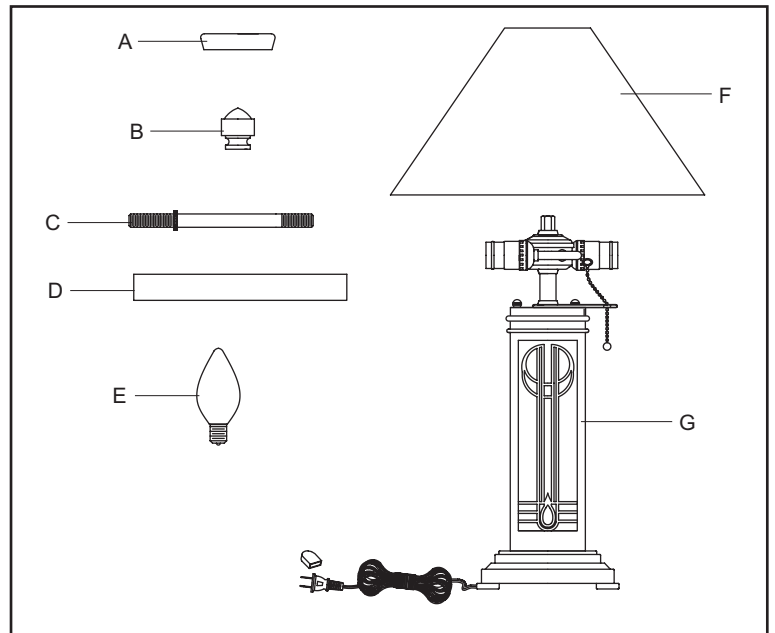


**PACKAGE CONTENTS**

ISSUED 07-2008

Revised 2009-11-12

Part	Description	Quantity
A	Check Ring	1pc
B	Finial	1pc
C	Nipple with Knurled Nut	1pc
D	Spacer Tube	1pc
E	C7 Bulb	1pc
F	Shade	1pc
G	Base	1pc



**! WARNINGS AND CAUTIONS**

**CAUTIONS:**

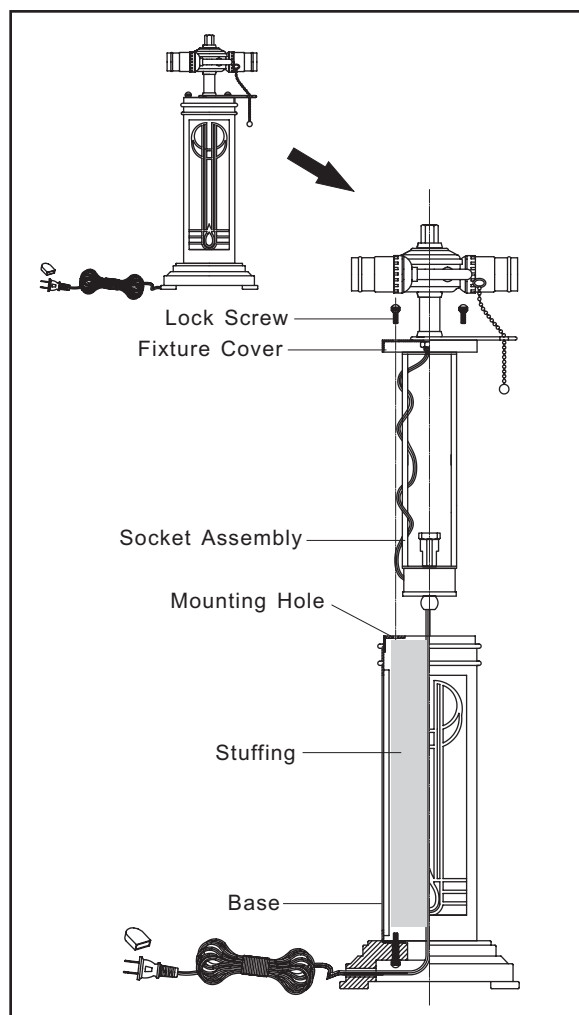
- These instructions are provided for your safety. It is very important that they are read completely before the installation of your fixture.
- We are strongly recommend that a professional electrician install the fixture.
- Disconnect fixture from the power source before replacing the bulb(s), making sure the bulb(s) had sufficient time to cool down. **DO NOT** subject the lamp to any shock while lit as shattering of lamp may result.

**PREPARATION**

- Before beginning installation of product, make sure all parts are present. Compare parts with package contents list and diagram above. If any part is missing or damaged, do not attempt to assemble, install or operate the product. Contact customer service for replacement part.
- Estimated Assembly Time: 10-15 minutes
- Tools Required for Assembly(not included): Pliers, Safety Glasses , (2) 60 Watt, Type-A Medium Base Bulbs & (1)7 Watt, C7 Candelabra Bulb.

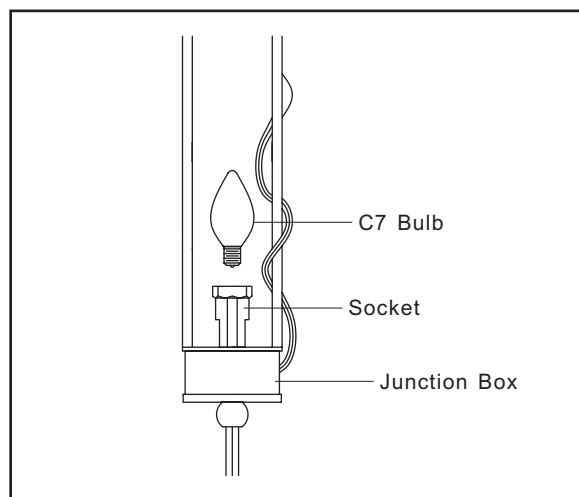
## STEP 1:

- a. Remove the Lock Screws from the Fixture Cover.
- b. Pull the Socket Assembly out of the Base.
- c. Remove the stuffing from inside of the Base.



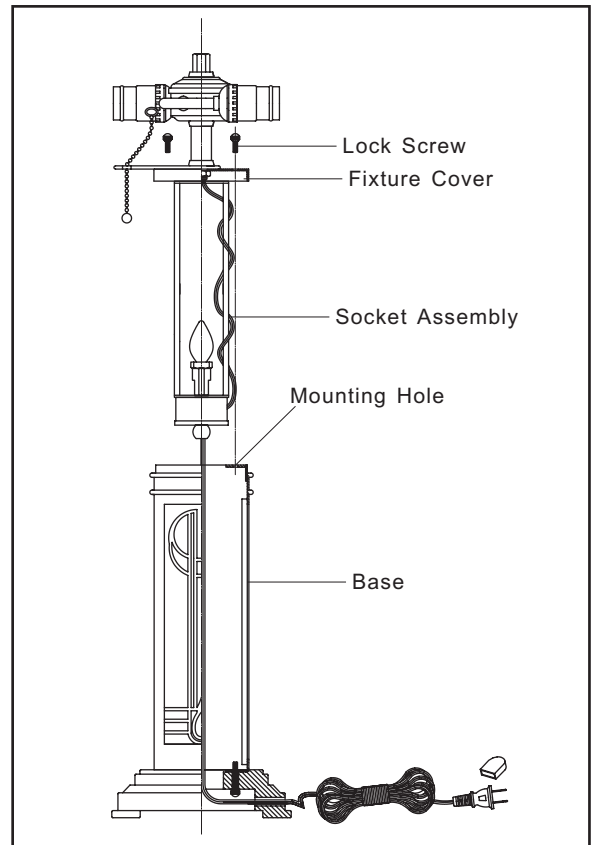
## STEP 2:

- a. Install or replace the C7 Bulb into the Socket on the top center of the Junction Box, referring to the fixture markings and/or labels for maximum wattage.



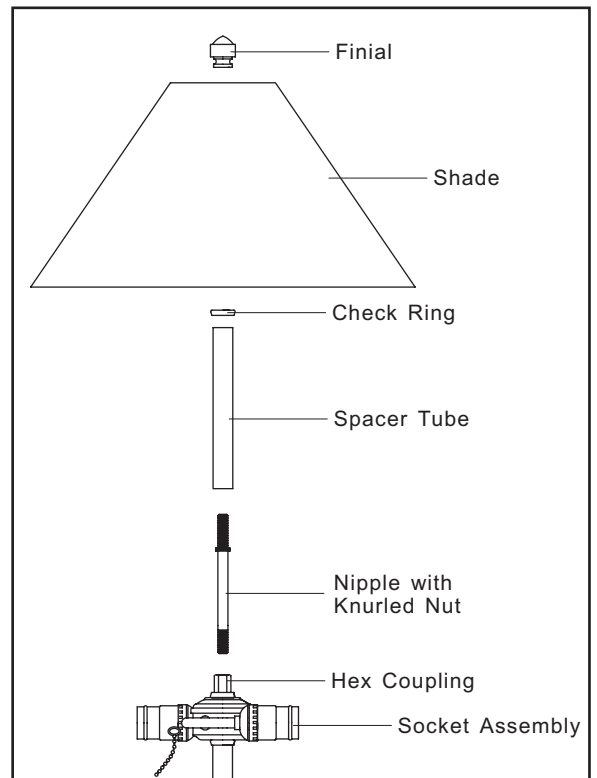
**STEP 3:**

- a. Place the C7 Socket back inside of the Base. Align the holes on the Fixture Cover onto the Mounting Holes on the top edge of the Base.
- b. Thread Lock Screws into the Mounting Holes and hand tighten until snug to secure the Socket Assembly and the Base together.



**STEP 4:**

- a. Locate the Nipple with Knurled Nut. Remove the Knurled Nut from the Nipple and then thread one end of the Nipple into the Hex Coupling and tighten until snug.
- b. Place the Spacer Tube and the Check Ring over the Nipple and secure the Knurled Nut.
- c. Locate the Shade over the top end of the Nipple and thread the Finial onto the Nipple to secure it. Hand tighten until snug.



**STEP 5:**

- a. Install the correct Bulbs referring to the fixture markings and/or labels for maximum wattage.
- Your assembly is completed now. Plug the plugs into the Wall Outlet Box.