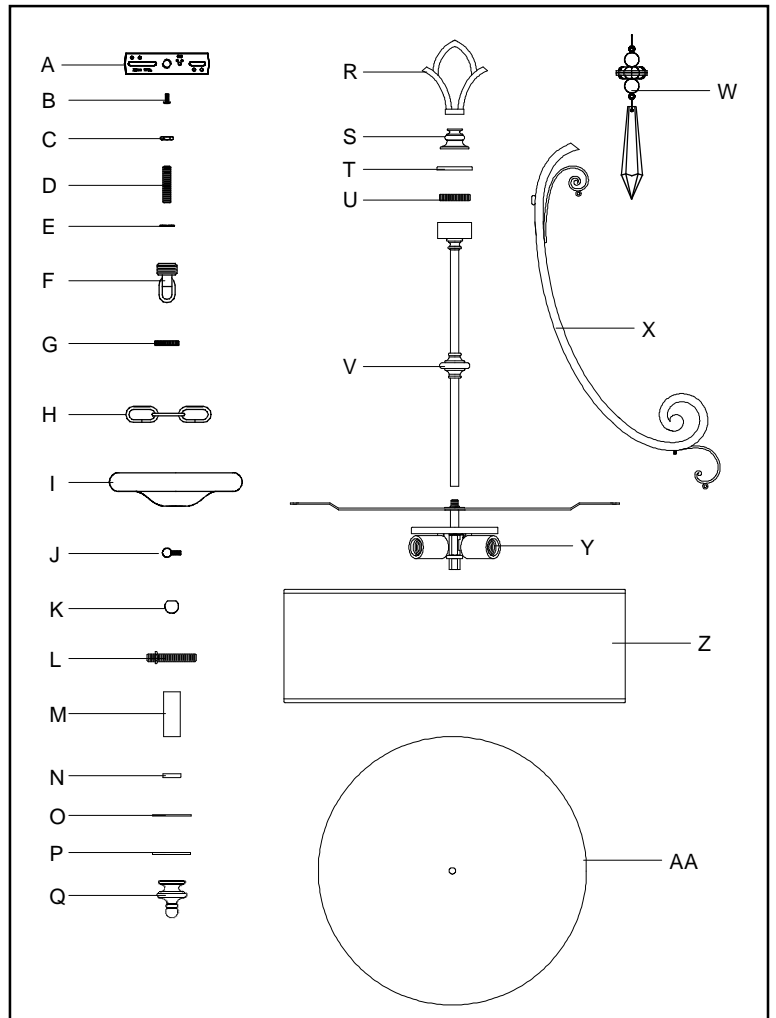


PACKAGE CONTENTS

ISSUED 07-2008

Revised 2008-09-02

Part	Description	Quantity
A	Crossbar	1pc
B	Green Ground Screw	1pc
C	Hex Nut	3pcs
D	Nipple	1pc
E	Lock Washer	2pcs
F	Canopy Chain Loop	1pc
G	Canopy Lock Ring	1pc
H	Fixture Chain	1pc
I	Ceiling Canopy	1pc
J	Lock Screw	5pcs
K	Lock Ball	3pcs
L	Nipple with Hex Nut	1pc
M	Spacer Tube	1pc
N	Check Ring	1pc
O	Flat Washer	2pcs
P	Rubber Washer	2pcs
Q	Finial	1pc
R	Fixture Loop	1pc
S	Support Part	1pc
T	Cover	1pc
U	Nipple	1pc
V	Center Column	1pc
W	Crystal	6pcs
X	Side Arm	3pcs
Y	Socket Assembly	1pc
Z	Shade	1pc
AA	Diffuser	1pc



! WARNINGS AND CAUTIONS

WARNING:

- Before beginning the installation, turn off electricity at the circuit breaker box or the main fuse box by switching off the circuit breaker or removing the fuse.

CAUTIONS:

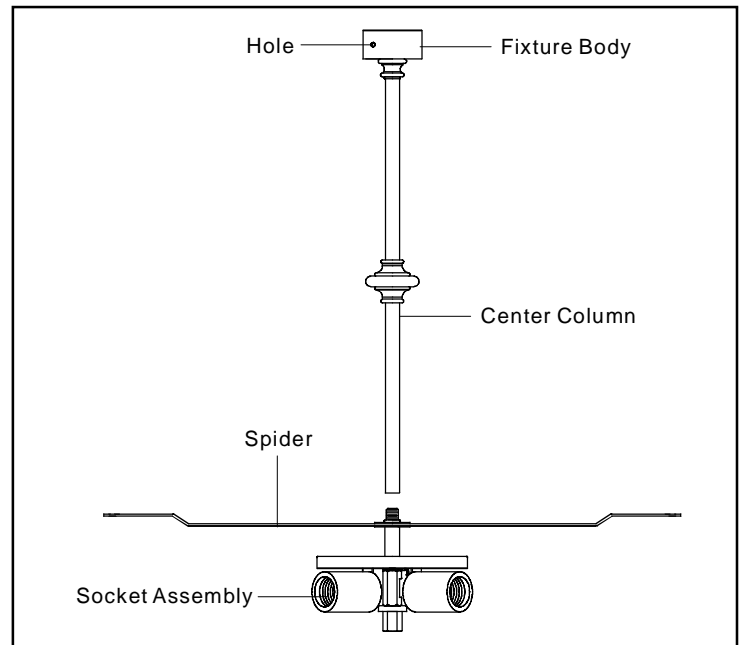
- These instructions are provided for your safety. It is very important that they are read completely before the installation of your fixture. We strongly recommend that a professional electrician install the fixture.
- Disconnect fixture from the power source before replacing the bulb(s), making sure the bulb(s) had sufficient time to cool down. DO NOT subject the lamp to any shock while lit as shattering of lamp may result.

PREPARATION

- Before beginning installation of product, make sure all parts are present. Compare parts with package contents list and diagram above. If any part is missing or damaged, do not attempt to assemble, install or operate the product. Contact customer service for replacement part.
- Estimated Assembly Time: 30 - 45 minutes
- Tools Required for Assembly (not included): Flathead screwdriver, Phillips screwdriver, pliers, electrical tape, wire cutters, safety glasses & 4, 60 Watt, Type-A Medium Base Bulbs.
- Helpful Tools (not included): Wire Strippers.

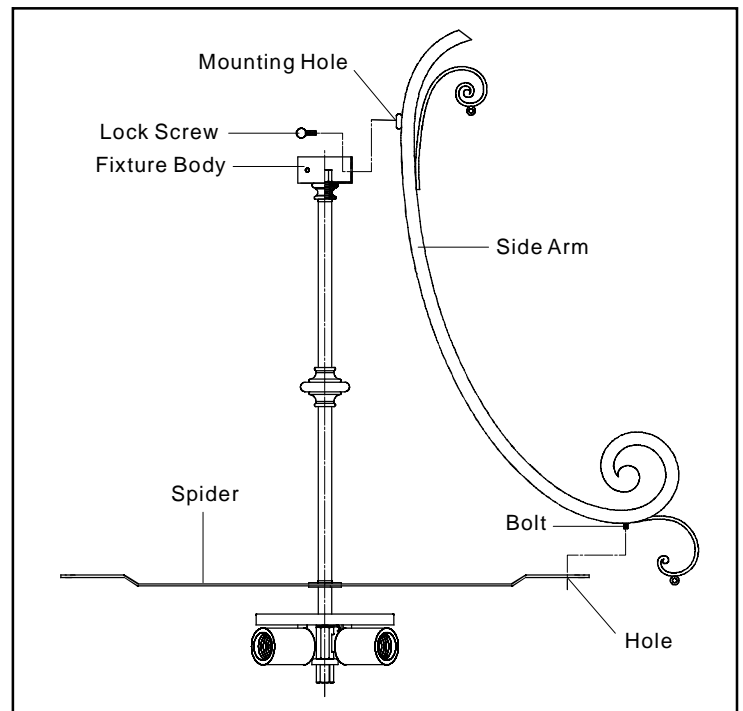
STEP 1:

- a. Thread the end of the Center Column onto the Nipple on the top center of the Socket Assembly. Hand tighten until snug.
*** Please make sure the Holes on the side of the Fixture Body lining up the Spiders.**



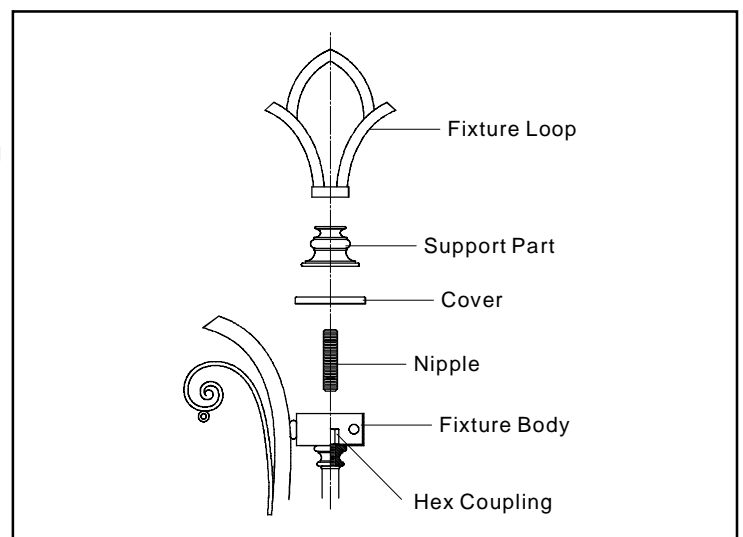
STEP 2:

- a. Locate the Side Arms. Place Bolts on the bottom ends of arms through the Holes on Spiders. And match Mounting Holes on other ends onto the Holes on the side of the Fixture Body.
- b. Thread Lock Screws into Mounting Holes on the Side Arms and hand tighten until snug.



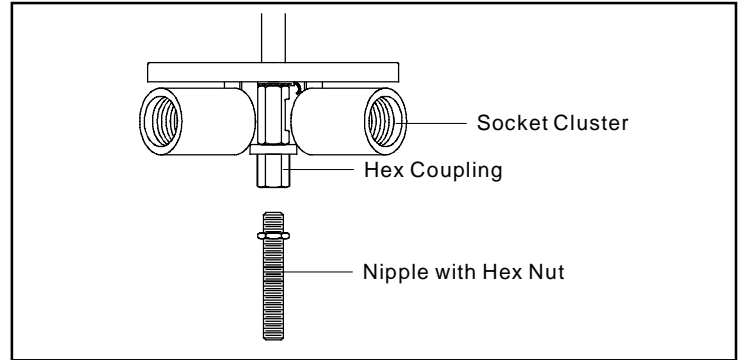
STEP 3:

- a. Thread the Nipple into the Hex Coupling in the center of the Fixture Body. Tighten until snug.
- b. Place the Cover and the Support Part over the top end of the Nipple. Secure them by threading Fixture Loop onto the Nipple. Hand tighten until snug.



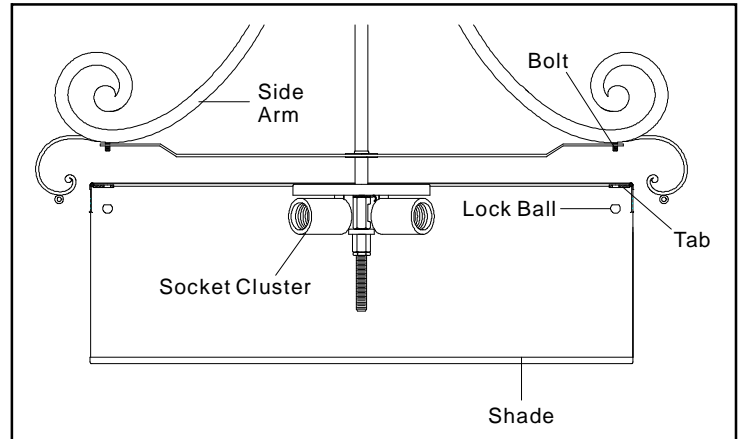
STEP 4:

- a. Thread Nipple with Hex Nut onto the Hex Coupling underside of the Socket Cluster as shown.
- b. Using plier, thread the Hex Nut against the Hex coupling and hand tighten until snug.



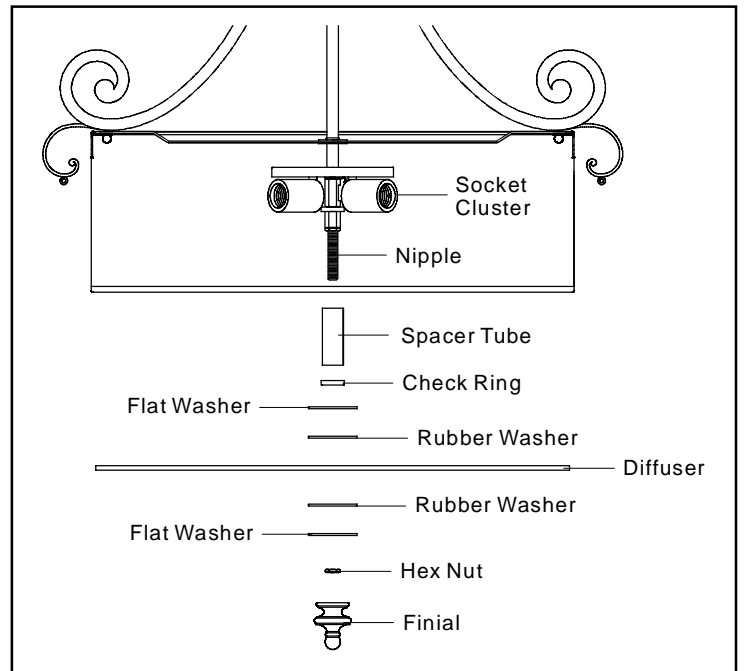
STEP 5:

- a. Locate Shade over Socket Cluster and make the Tabs inside of the Shade over the Bolts extruding from Spiders.
- b. Thread Lock Balls onto Bolts and hand tighten until snug to secure the Shade.



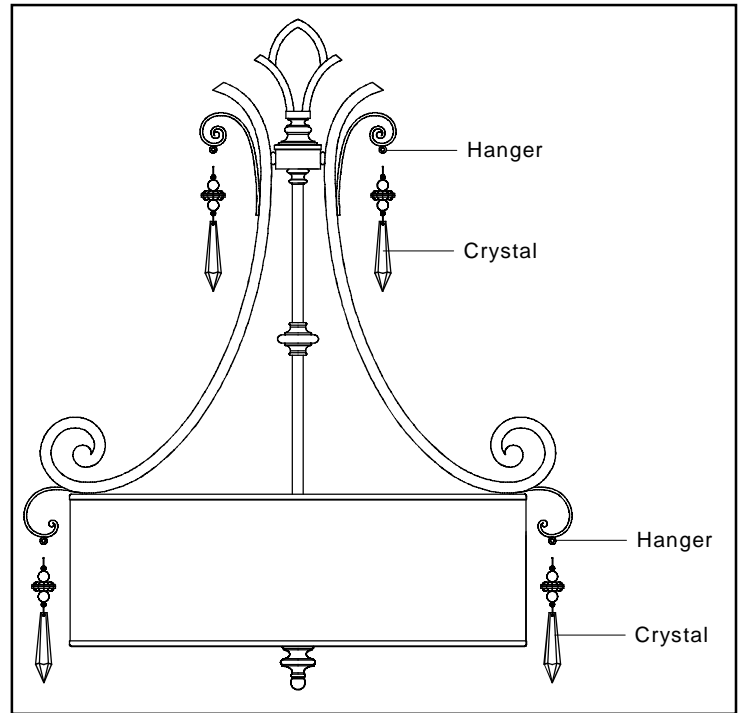
STEP 6:

- a. Place the following components over the Nipple underside of the Socket Cluster in turn: Spacer Tube, Check Ring, Flat Washer, Rubber Washer, Diffuser, Rubber Washer and Flat Washer.
- b. Thread the Hex Nut onto Nipple and hand tighten until snug to secure the above parts.
- c. At last thread the Finial onto the end of the Nipple and tighten until snug.



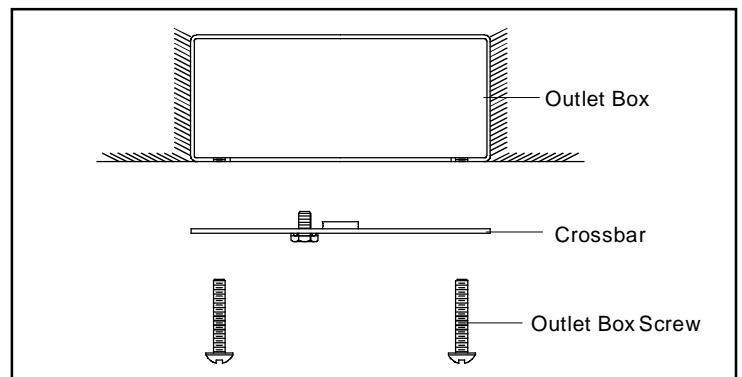
STEP 7:

- a. Place Crystals onto Hangers as shown in the illustration.



STEP 8:

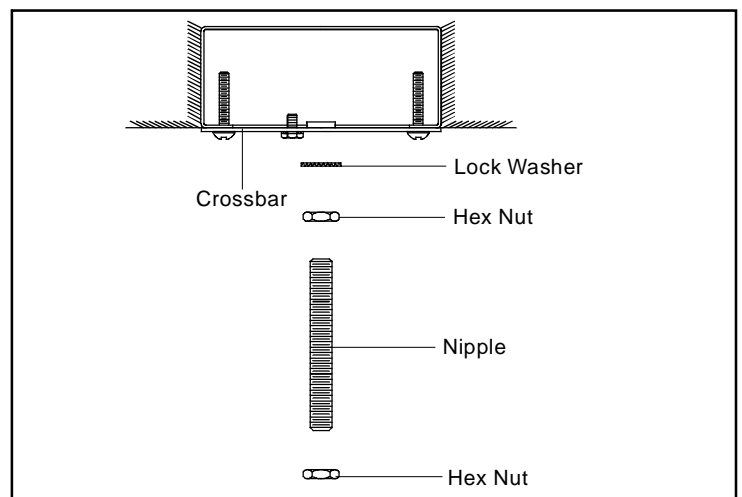
- a. Secure the Crossbar onto the Outlet Box with Outlet Box Screws. Tighten until snug.



STEP 9:

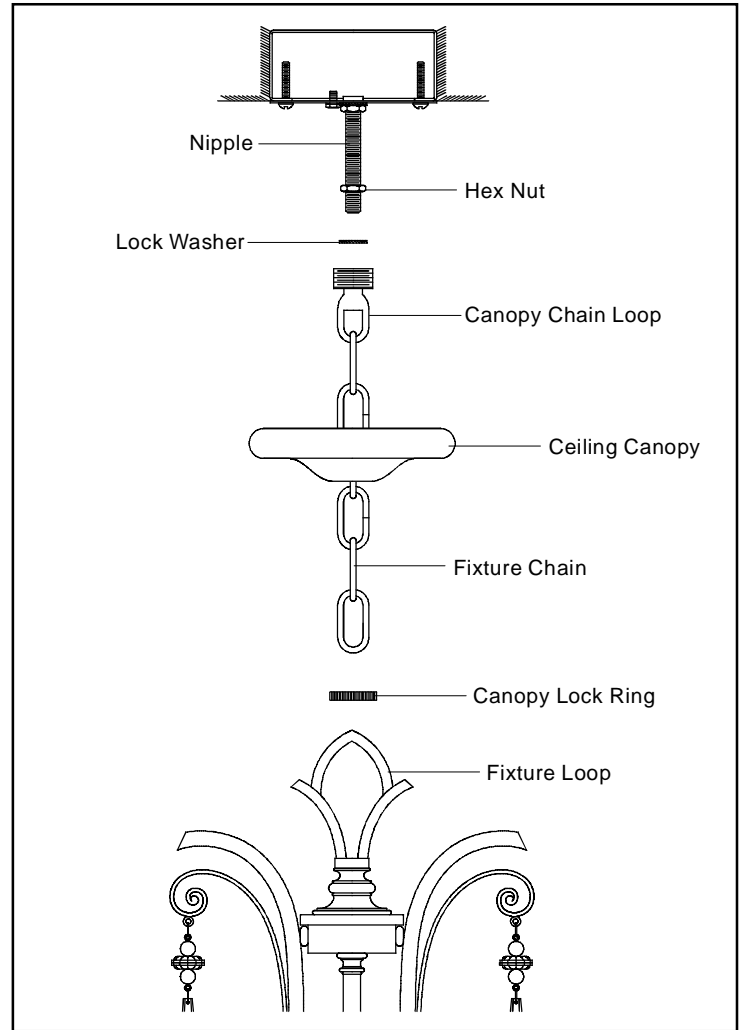
* Plier is required on this step.

- a. Thread one Hex Nut onto top end of the Nipple.
- b. Place one Lock Washer over the top end of the Nipple and then thread the Nipple into the center lock hole of the Crossbar.
- c. Using plier, thread the Hex Nut against the crossbar and hand tighten until snug.
- d. Thread another Hex Nut onto the bottom end of the Nipple.



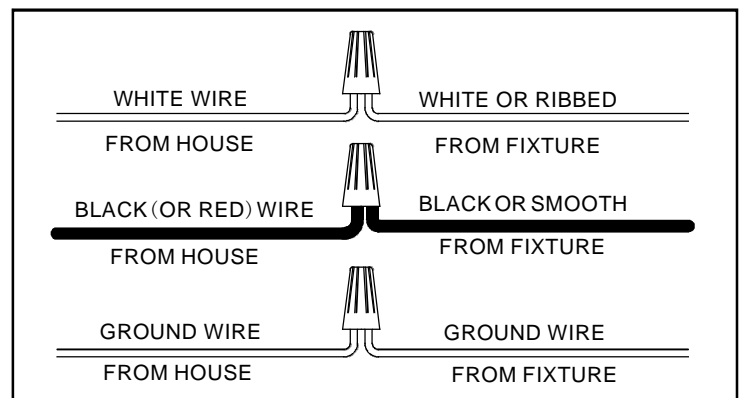
STEP 10:

- a. Adjust the Fixture Chain to your desired length by removing the links if needed.
* Please note that depends on chain material thickness, you might be required to use chain pliers to spread links open.
- b. Pull the supply wires through the Fixture Chain alternating links. And then pull the wires through the following components in turn: Canopy Lock Ring, Ceiling Canopy, Canopy Chain Loop, Lock Washer, and Nipple.
- c. Place Lock Washer over the end of the Nipple and thread the Canopy Chain Loop onto the end of the Nipple.
- d. Using plier, thread the Hex Nut against the Canopy Chain Loop and tighten until snug.
- e. Attach one end of the Fixture Chain onto the Fixture Loop and attach the another end of the chain onto the Canopy Chain Loop.
- f. Refer to Step 11 - Wire Connections to connect wires.
- g. Push the Ceiling Canopy upward over the Outlet Box.
- h. Thread the Canopy Lock Ring onto the Canopy Chain Loop and tighten until snug to secure the Ceiling Canopy.



STEP 11:

- * Use Wire Connectors (not supplied) to connect the wires.
- a. Connect the House Ground Wire to the Fixture Ground Wire.
 - b. Connect the House White Wire to the Fixture Supply Wire (White or Ribbed Side).
 - c. Connect the House Black (or Red) Wire to the Fixture Supply Wire (Black or Smooth Side).
 - d. Wrap each connection with approved electrical tape and carefully stuff all of the connected wires into the Outlet Box.



STEP 12:

- a. Install correct Bulbs referring to fixture markings and/or labels for maximum wattage.

Your installation is completed now. Restore electricity. Retain this sheet for future reference.