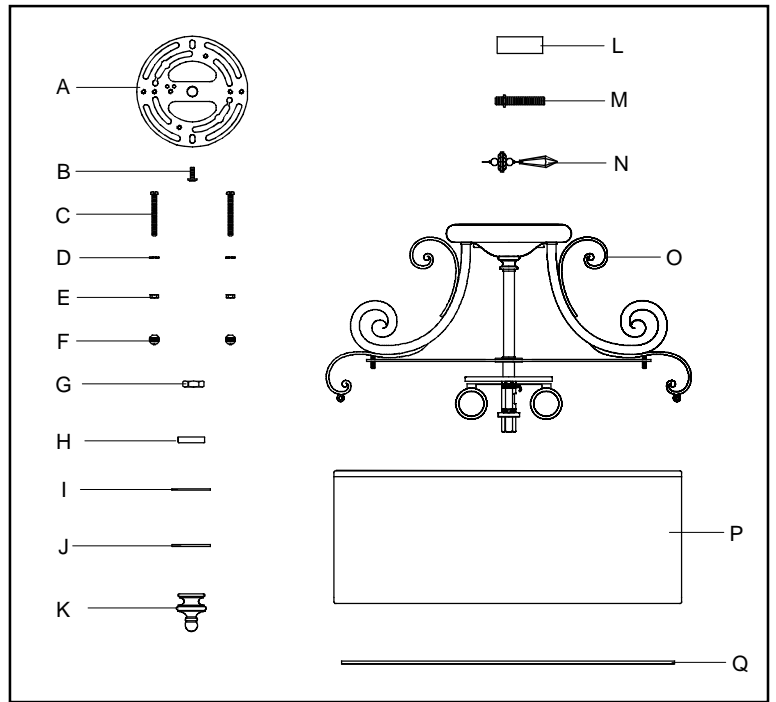


PACKAGE CONTENTS

ISSUED 07-2008

Revised 2008-09-02

Part	Description	Quantity
A	Crossbar	1pc
B	Green Ground Screw	1pc
C	Mounting Screw	2pcs
D	Lock Washer	2pcs
E	Hex Nut (for Mounting Screw)	2pcs
F	Mounting Ball	5pcs
G	Hex Nut	1pc
H	Check Ring	1pc
I	Flat Washer	2pcs
J	Rubber Washer	2pcs
K	Finial	1pc
L	Spacer Tube	1pc
M	Nipple with Hex Nut	1pc
N	Crystal	3pcs
O	Fixture Body	1pc
P	Shade	1pc
Q	Diffuser	1pc



! WARNINGS AND CAUTIONS

WARNING:

- Before beginning the installation, turn off electricity at the circuit breaker box or the main fuse box by switching off the circuit breaker or removing the fuse.

CAUTIONS:

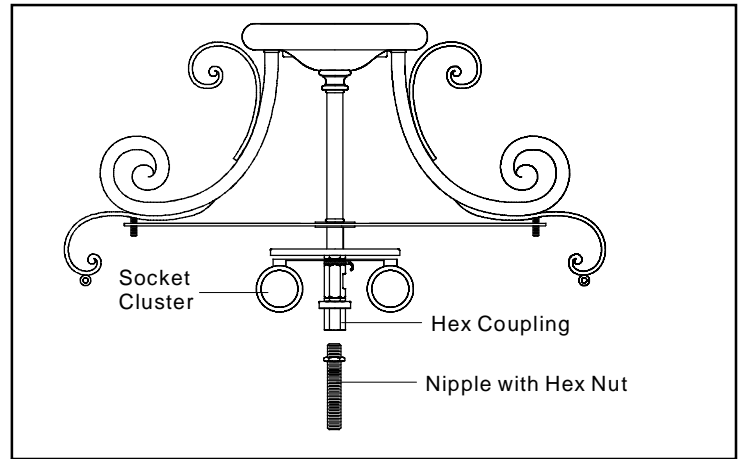
- These instructions are provided for your safety. It is very important that they are read completely before the installation of your fixture. We strongly recommend that a professional electrician install the fixture.
- Disconnect fixture from the power source before replacing the bulb(s), making sure the bulb(s) had sufficient time to cool down. DO NOT subject the lamp to any shock while lit as shattering of lamp may result.

PREPARATION

- Before beginning installation of product, make sure all parts are present. Compare parts with package contents list and diagram above. If any part is missing or damaged, do not attempt to assemble, install or operate the product. Contact customer service for replacement part.
- Estimated Assembly Time: 15 - 30 minutes
- Tools Required for Assembly (not included): Flathead screwdriver, Phillips screwdriver, pliers, electrical tape, wire cutters, safety glasses & 3, 60 Watt, Type-A Medium Base Bulbs.
- Helpful Tools (not included): Wire Strippers.

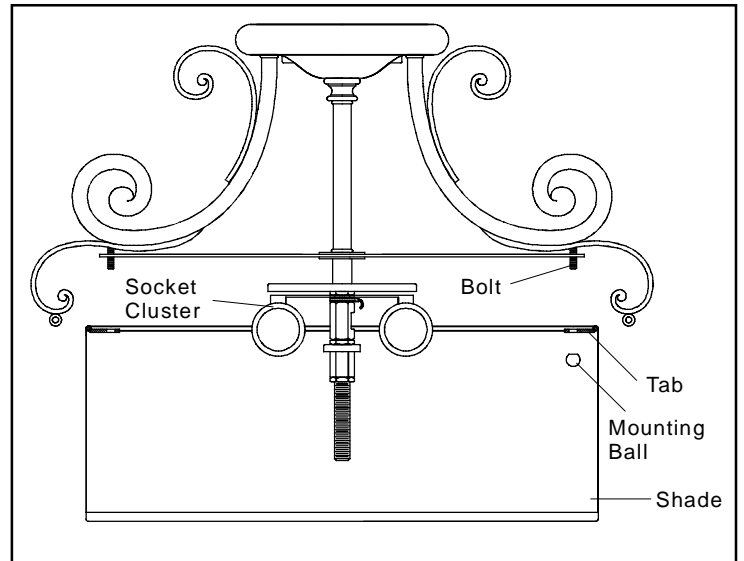
STEP 1:

- a. Locate the Nipple with Hex Nut. Thread top end of the Nipple into the Hex Coupling underside of the Socket Cluster. Using plier, thread Hex Nut against Hex Coupling and hand tighten until snug.



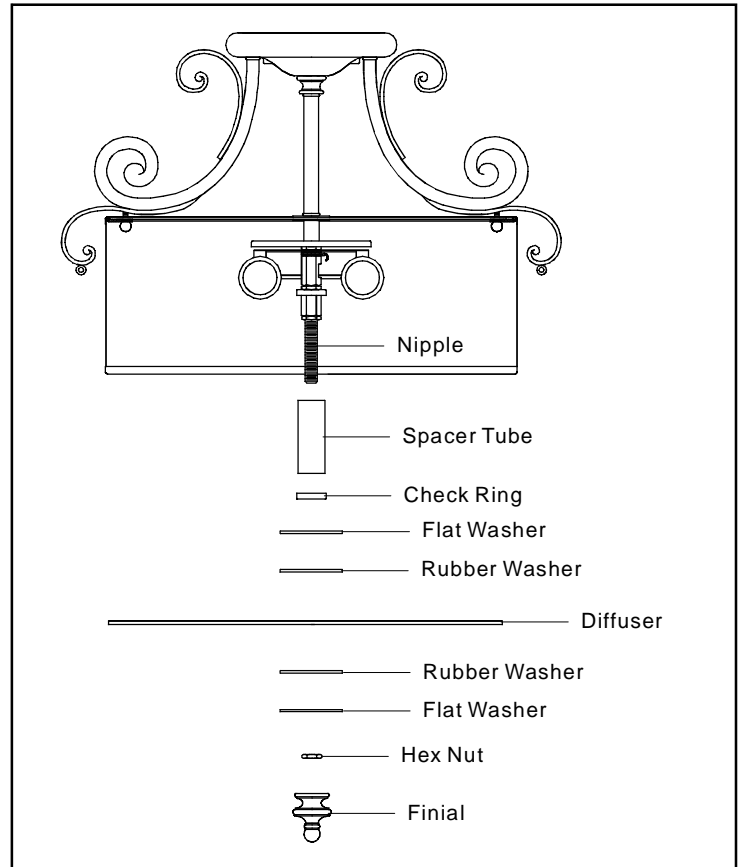
STEP 2:

- a. Locate the Shade over the Socket Cluster and make the Tabs inside of the Shade over the Bolts.
- b. Thread Mounting Balls onto Bolts and hand tighten until snug to secure the Shade.



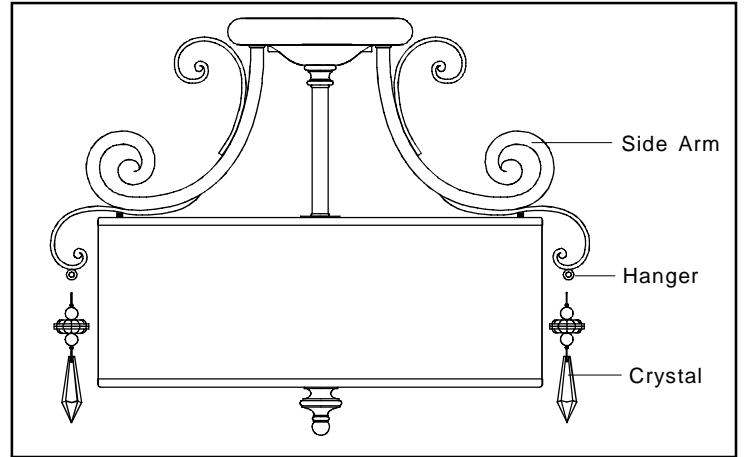
STEP 3:

- a. Place the following components over the Nipple underside of the Socket Cluster in turn: Spacer Tube, Check Ring, Flat Washer, Rubber Washer, Diffuser, Rubber Washer and Flat Washer.
- b. Thread the Hex Nut onto Nipple and hand tighten until snug to secure the above parts.
- c. At last thread the Finial onto the end of the Nipple and tighten until snug.



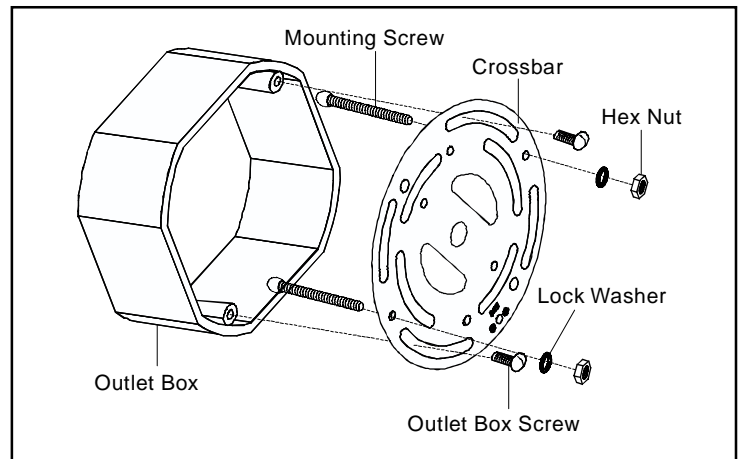
STEP 4:

- a. Locate Crystals onto the Hangers on the bottom of Side Arms as shown.



STEP 5:

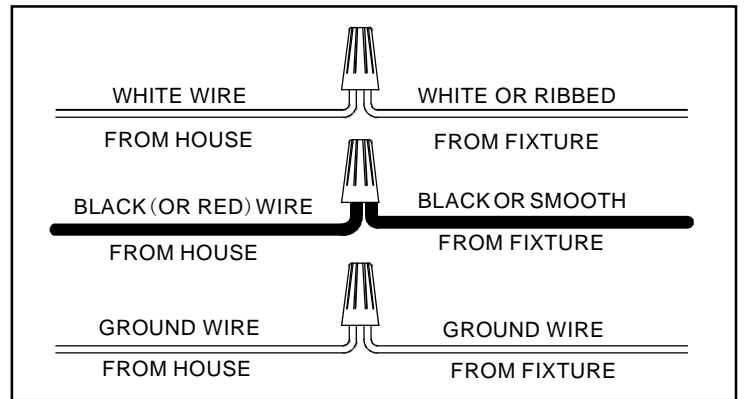
- a. Screw the Mounting Screws into the Crossbar, place the Lock Washers over the Mounting Screws and thread the Hex Nuts onto the Mounting Screws as shown. Secure the position of the Mounting Screws by tightening the Hex Nuts against the Crossbar.
- b. Secure the Crossbar to the Outlet Box with Outlet Box Screws.



STEP 6:

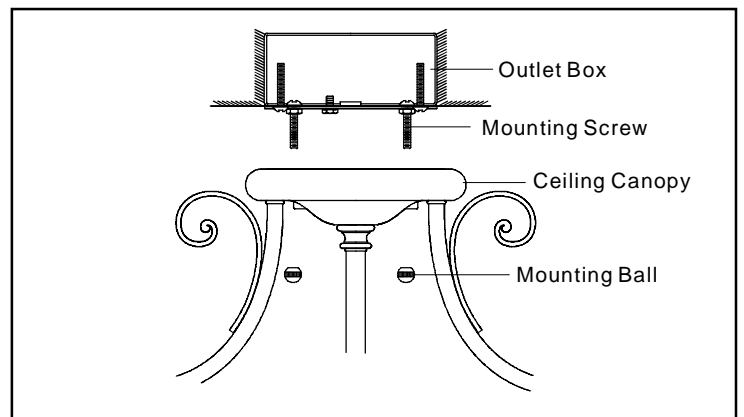
* Use Wire Connectors (not supplied) to connect the wires.

- a. Connect the House Ground Wire to the Fixture Ground Wire.
- b. Connect the House White Wire to the Fixture Supply Wire (White or Ribbed Side).
- c. Connect the House Black (or Red) Wire to the Fixture Supply Wire (Black or Smooth Side).
- d. Wrap each connection with approved electrical tape and carefully stuff all of the connected wires into the Outlet Box.



STEP 7:

- a. Carefully tuck all wires into the wall mounted outlet box and position the fixture over the outlet box.
- b. Align the holes in the Ceiling Canopy with the Mounting Screws attached to the Crossbar.
- c. Pass the fixture over the Mounting Screws and secure by threading Mounting Balls onto end of screw. Tighten until snug.



STEP 8:

- a. Install correct Bulbs referring to fixture markings and/or labels for maximum wattage.

Your installation is completed now. Restore electricity. Retain this sheet for future reference.