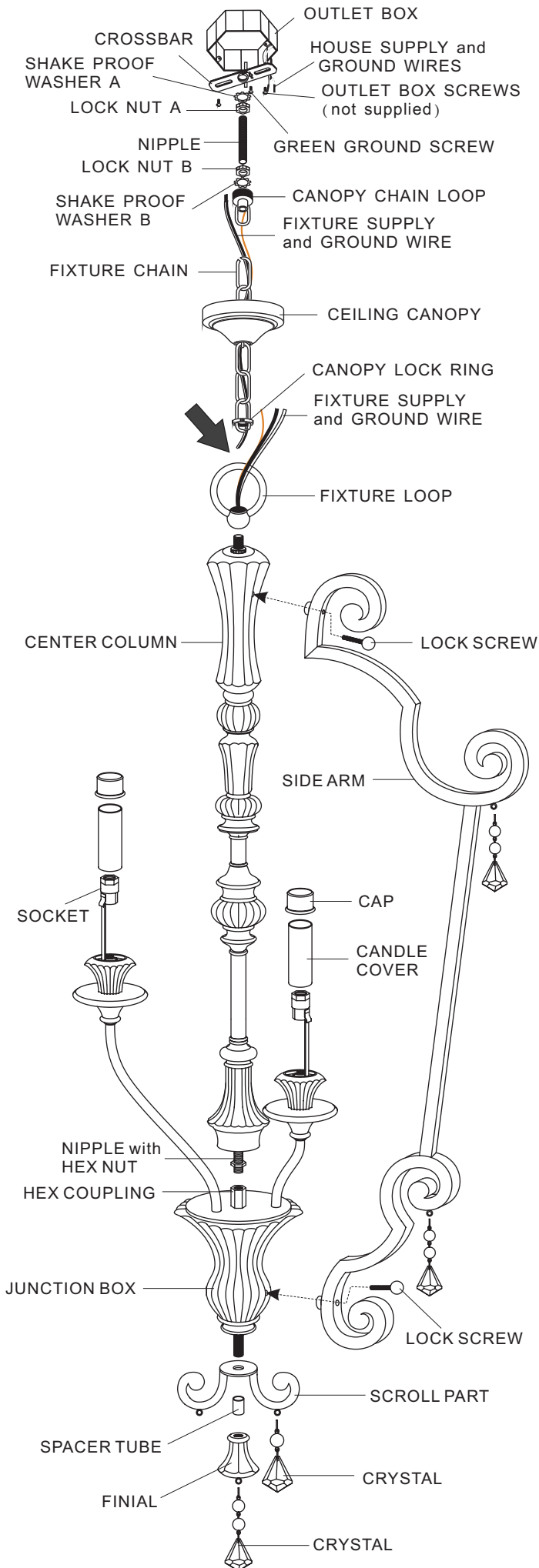


ASSEMBLY/INSTALLATION INSTRUCTIONS



1. Before beginning the installation, carefully unpack and identify all parts, referring to the illustration.
2. Turn power to the installation point OFF at circuit breaker.
3. Locate NIPPLE with HEX NUT. Thread end of NIPPLE into HEX COUPLING. Using pliers, thread the HEX NUT against HEX COUPLING and hand tighten until snug. Slip down the CENTER COLUMN and thread FIXTURE LOOP onto the nipple to secure it. Hand tighten until snug.
4. Locate SCROLL PART and SPACER TUBE over end of NIPPLE on the bottom center of JUNCTION BOX. Secure them by threading FINIAL onto the NIPPLE. Hand tighten until snug.
5. Locate SIDE ARM. Match the holes on SIDE ARM with mounting holes on the side of CENTER COLUMN and JUNCTION BOX. Thread LOCK SCREWS into mounting holes to secure them. Hand tighten until snug.
6. Locate CRYSTALS onto the hangers on SCROLL PART, FINIAL and SIDE ARMS. There are 2 kinds of CRYSTALS. Please refer to the illustration for identification of locations.
7. (**For Canadian installations, please refer to Page 2**) Fasten the CROSSBAR to the OUTLET BOX with (2)OUTLET BOX SCREWS(not supplied). Proceed to thread LOCK NUT A and SHAKE PROOF WASHER A onto the top end of NIPPLE. Thread NIPPLE into the center of CROSSBAR. Locate the LOCK NUT B onto the bottom end of the NIPPLE. Tighten LOCK NUT A against CROSSBAR with plier until snug.
8. Locate the FIXTURE CHAIN and determine desired hanging height of fixture. Adjust chain by removing links if needed. Please note that depending on chain material thickness, you might be required to use chain pliers to spread links open. Proceed to attach one end of chain to FIXTURE LOOP, attached to top of fixture. Pass the fixture wires through FIXTURE CHAIN alternating links. Proceed to pass the fixture wires through the following mounting components in this order: 1)CANOPY LOCK RING; 2)CEILING CANOPY; 3) CANOPY CHAIN LOOP; 4) SHAKE PROOF WASHER B and LOCK NUT B; 5) NIPPLE; 6) LOCK NUT A and SHAKE PROOF WASHER A.
9. **Making the connections:**(2 people recommended for the remaining steps) Position the fixture under the ceiling mounted outlet box. Pass SHAKE PROOF WASHER B over the NIPPLE. Thread CANOPY CHAIN LOOP onto NIPPLE. Thread LOCK NUT B down the NIPPLE, against the CANOPY CHAIN LOOP and snug with pliers. Pass the wires through the NIPPLE. Take up wire slack and trim wires so that approx. 6" will remain inside outlet box. Proceed to attach the top of the FIXTURE CHAIN to the bottom of the CANOPY CHAIN LOOP. Using wire connectors (not supplied) connect the HOUSE GROUND WIRE to the FIXTURE GROUND WIRE; connect the HOUSE WHITE WIRE to the FIXTURE SUPPLY WIRE (WHITE or RIBBED SIDE); connect the HOUSE BLACK (or RED) WIRE to the FIXTURE SUPPLY WIRE(BLACK or SMOOTH SIDE). Wrap each connection with approved electrical tape.
10. With the proper connections made, proceed to push the CEILING CANOPY upward over the OUTLET BOX. Be sure that all wires are carefully tucked into the OUTLET BOX cavity. Secure canopy against ceiling by threading CANOPY LOCK RING onto the CANOPY LOOP. Tighten until snug.
11. Position SOCKET through the CANDLE COVER and place CAP onto the top end of CANDLE COVER. Install bulbs referring to fixture markings and/or labels for maximum wattage.
12. Restore power to the installation point ON. Retain this sheet for future reference.

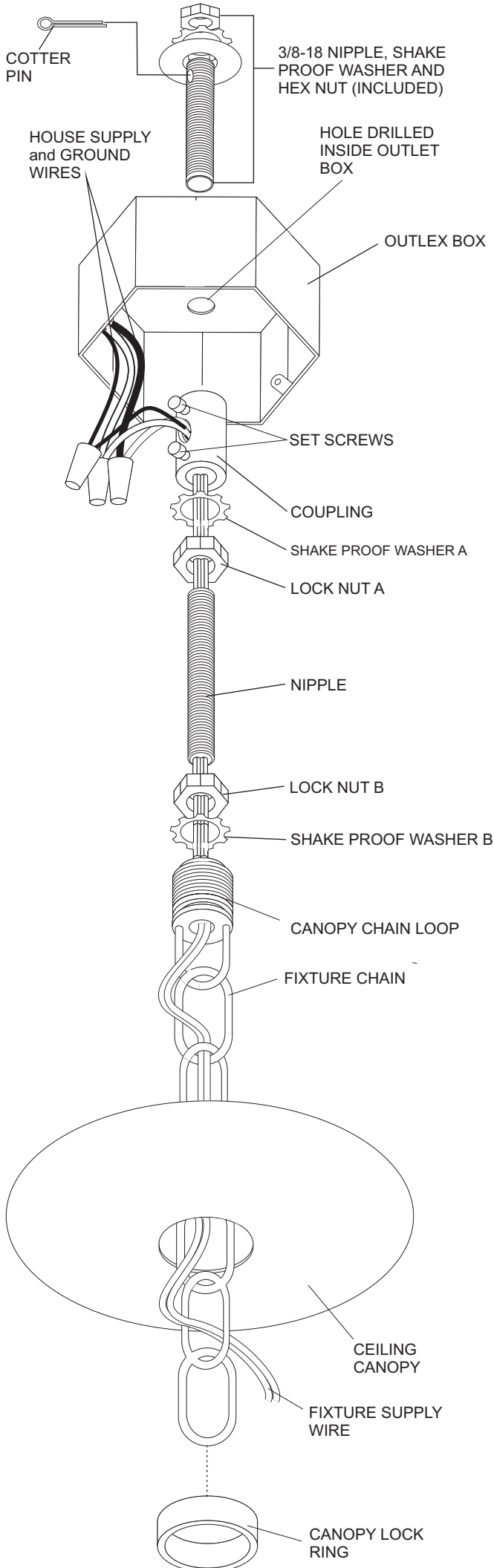
**IF IN DOUBT ABOUT ELECTRICAL INSTALLATION,
CONSULT A LICENSED ELECTRICIAN!**

INSTALLATION INSTRUCTIONS:
(FOR FIXTURES OVER 25 LBS. (Canada Only))

Please use the information outlined in this sheet for the ceiling installation part of your fixture assembly.

Quoizel recommends a licensed electrician or contractor be consulted for this installation.

FIGURE 1.



1. Before installing fixture, carefully unpack and identify all parts referring to illustration FIGURE 1. Be sure the power to the installation point is OFF at circuit breaker.
2. (Refer to Figure 2, page 3) This weight of this fixture will require a means of support independent of the OUTLET BOX. This fixture must be supported by 3/8-18 NPSM NIPPLE(supplied) The NIPPLE should be positioned so that 3/4" protrudes into the OUTLET BOX cavity. *Note: the opposite end of the NIPPLE must be attached to a structural or bridging member of sufficient strength to support the fixture weight. A COTTER PIN has been included and should be installed into the top of NIPPLE, above HEX NUT for added safety. A clearance hole must be drilled on the inside top center of the OUTLET BOX. Please refer to Figure 2, page 3 for detailed illustration. We recommend the consultation of a licensed electrician or contractor due to the complexity of this installation.*
3. With the NIPPLE properly situated, locate COUPLING and proceed to thread onto the end of the NIPPLE protruding into the OUTLET BOX. Thread COUPLING onto pipe until tight. Tighten the top SET SCREW with pliers to secure COUPLING to NIPPLE.
4. **Making the connections:** (Quoizel recommends (2) people for the rest of this installation) Proceed to unravel the FIXTURE SUPPLY and GROUND WIRES. Locate the FIXTURE CHAIN and attach one end to the FIXTURE LOOP at the top of FIXTURE. Please note that depending on chain material thickness, you might be required to use chain pliers to spread chain links open. Proceed to pass the FIXTURE SUPPLY and GROUND WIRES through the chain, alternating links. Proceed the pass the wires through the following mounting components in this order: 1) CANOPY LOCK RING; 2) CEILING CANOPY. Position the fixture under the OUTLET BOX. Locate the CANOPY CHAIN LOOP; SHAKE PROOF WASHER B and LOCKNUT B; NIPPLE ; LOCK NUT A and SHAKE PROOF WASHER A. Thread LOCK NUT A onto top end of NIPPLE. Pass SHAKE PROOF A over top end of NIPPLE. Thread LOCK NUT B onto the end of NIPPLE. Pass SHAKE PROOF B over end of NIPPLE. Thread the CANOPY CHAIN LOOP onto the end of NIPPLE. Thread LOCK NUT B down NIPPLE and snug against top of CANOPY CHAIN LOOP with pliers. Pass wires through the bottom center CANOPY CHAIN LOOP through NIPPLE. Pass fixture wires through the bottom center of the COUPLING. Pull wires through the wire way hole on side of COUPLING. Take up wire slack and trim wires so that approx. 6" will remain inside outlet box. Proceed to thread the NIPPLE into the bottom center of the COUPLING until tight. Tighten the LOWER SET SCREW. Proceed to thread LOCK NUT A and SHAKE PROOF WASHER A up NIPPLE until seated against the bottom of the COUPLING. Tighten until snug with pliers. Attach the top of the FIXTURE CHAIN to the CANOPY CHAIN LOOP. Using wire connectors (not supplied), connect the FIXTURE GROUND WIRE to HOUSE GROUND WIRE; connect the HOUSE WHITE WIRE to the FIXTURE SUPPLY WIRE (WHITE or RIBBED SIDE); connect the HOUSE BLACK (or RED) WIRE to the FIXTURE SUPPLY WIRE (BLACK or SMOOTH SIDE). Wrap each connection with approved electrical tape.
5. With the proper connections made proceed to push the CEILING CANOPY upward over the OUTLET BOX. Be sure that all wires are carefully tucked into the OUTLET BOX cavity. Secure canopy against ceiling by threading CANOPY LOCK RING onto the CANOPY CHAIN LOOP. Tighten until snug.
6. Refer back to Page 1, Step 8 and finish installation.

FIGURE 2: CRAWL SPACE / ATTIC CUT-AWAY

