

Assembly Instruction Sheet #IS-HC8409IBGU For Style HC8409IBGU

Quozel, Inc.
 6 Corporate Parkway
 Goose Creek, SC
 29445

Customer Service
 Phone 631.273.2700
 Fax 631.231.7102
 www. quozel. com

Tools Required: Flathead screwdriver, Phillips screwdriver, pliers, wire cutters, wire strippers, electrical tape, safety glasses.

Bulb Recommended: (1)18W CFL Spring Self-ballasted GU 24 Maximum
Estimated Assembly Time: 20-30 minutes

Preparation: Identify and inspect all parts before beginning installation. Check package content list and diagrams below to be sure all parts are present. If any parts are missing or damaged, do not attempt to assemble, install, or operate the fixture. Contact customer service for replacement parts.

Warnings and Cautions

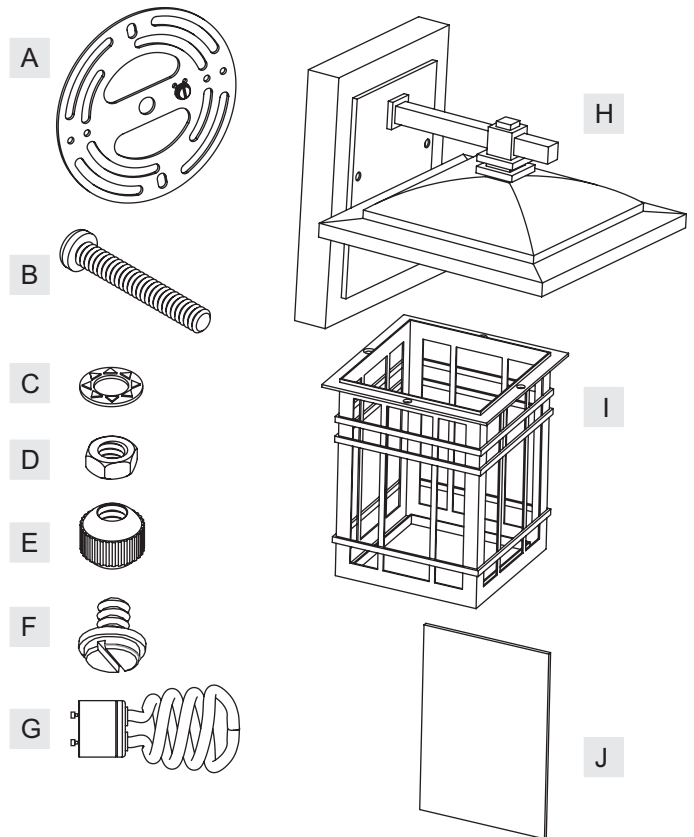
Turn off electricity at circuit breaker or main fuse box before installation. Consult a licensed electrician if in doubt.

These instructions are provided for your safety. It is very important you read them completely before installing the fixture. We strongly recommend that a licensed, professional electrician perform the installation.

Disconnect fixture from power source before replacing bulbs. Make sure bulbs are given sufficient time to cool before removal. Do not subject glass parts to any shock while in operation or shattering may result.

Package Contents

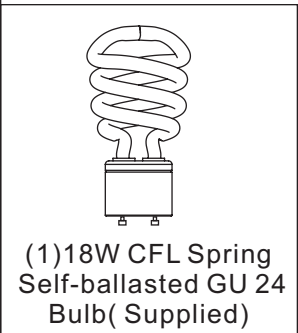
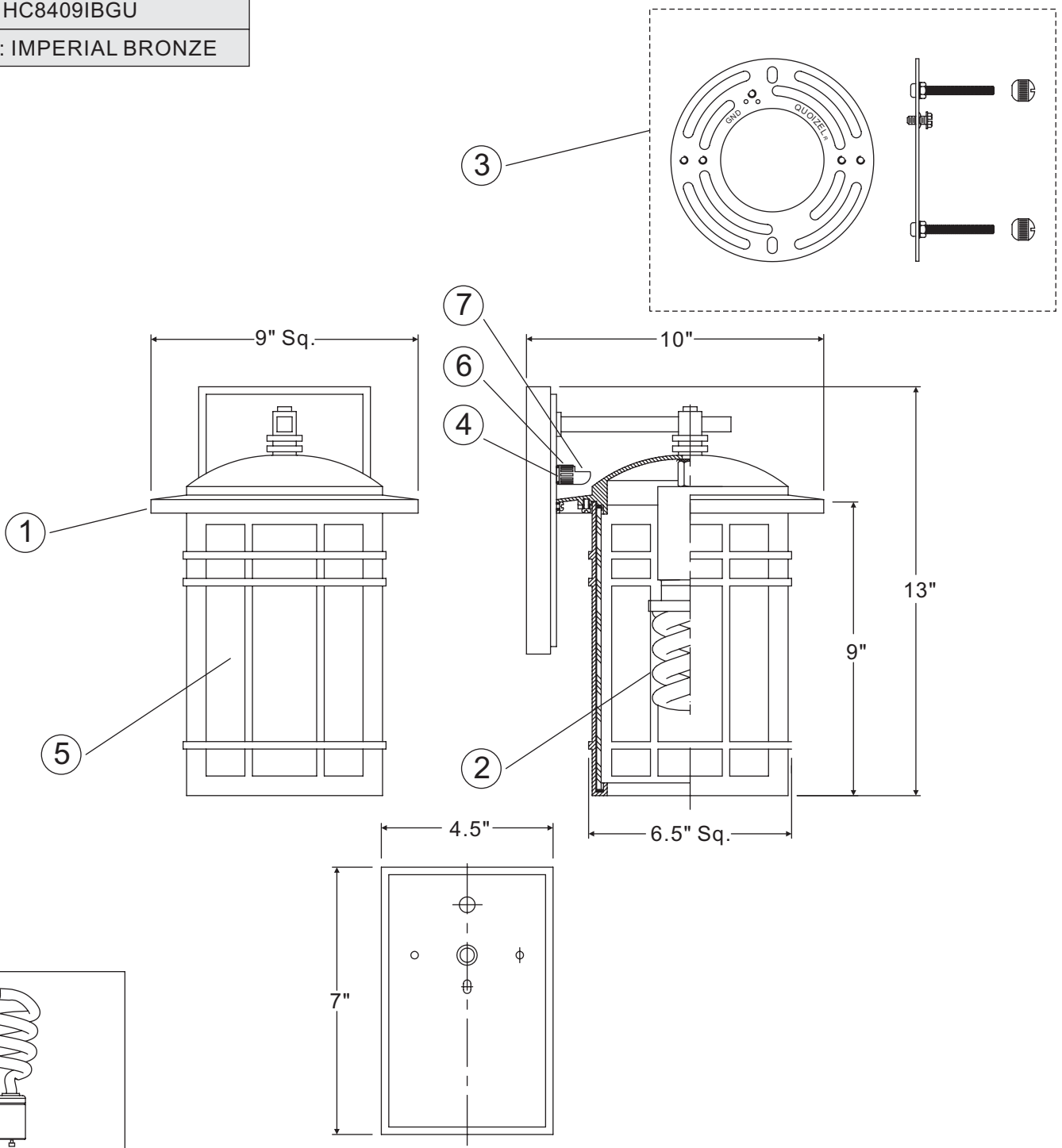
Part	Description	Quantity
A	Crossbar	1 pc.
B	Mounting Screw	2 pcs.
C	Lock Washer	2 pcs.
D	Hex Nut	2 pcs.
E	Mounting Ball	2 pcs.
F	Lock Screw	4 pcs.
G	Spring Lamp	1 pc.
H	Fixture Body	1 pc.
I	Cage	1 pc.
J	Panel	4 pcs.



Thank you for purchasing a Quozel product.
Need assistance with parts or assembly? Call Quozel customer service at 1-631-273-2700
or visit us on-line at www. quozel. com

HC8409IBGU

FINISH: IMPERIAL BRONZE

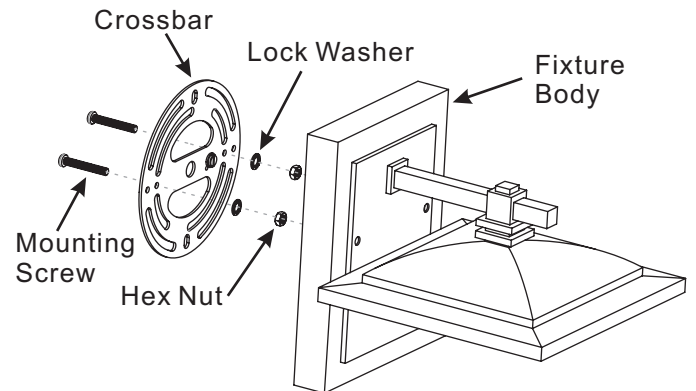


NOTE: ALL DIMENSIONS ARE ROUNDED UP TO THE NEAREST 1/2"

NO.	PART NUMBER	REPLACEMENT PART DESCRIPTION	REQ.
1	18409IBFLHC	BASE IMPERIAL BRONZE HC8409IBFL	1
2	I9002GU	BULB 18W SPRING LAMP	1
3	M280KTIB	KIT IMPERIAL BRONZE REPLACEMENT	1
4	J957OR	O-RING 0.5"D	1
5	G1419PA	PANEL OPAQUE LINEN 8-3/4"H X 6-1/8"	4
6	J376CVR	PHOTO CELL LENS COVER	1
7	K145SW	PHOTOELECTRIC SWITCH TOP MOUNT	1

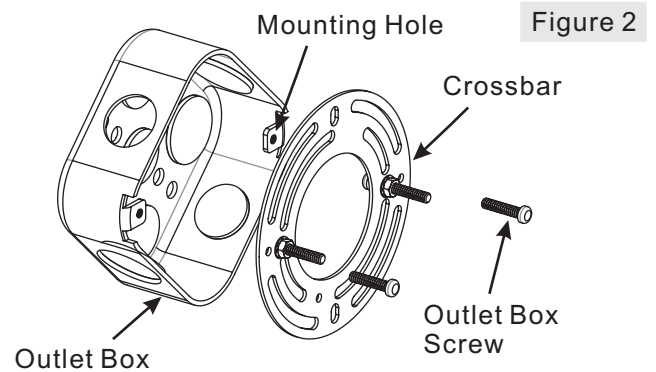
STEP 1 – Attach Mounting Screws, Lock Washers and Hex Nuts to Crossbar

- Line up a set of holes on the Crossbar (A) and Holes on the backplate of the Fixture Body (H).
- Thread Mounting Screws (B) into the holes on the Crossbar (A), pass Lock Washers (C) and thread Hex Nut (D) onto the Mounting Screws (B). Hand tighten until snug.



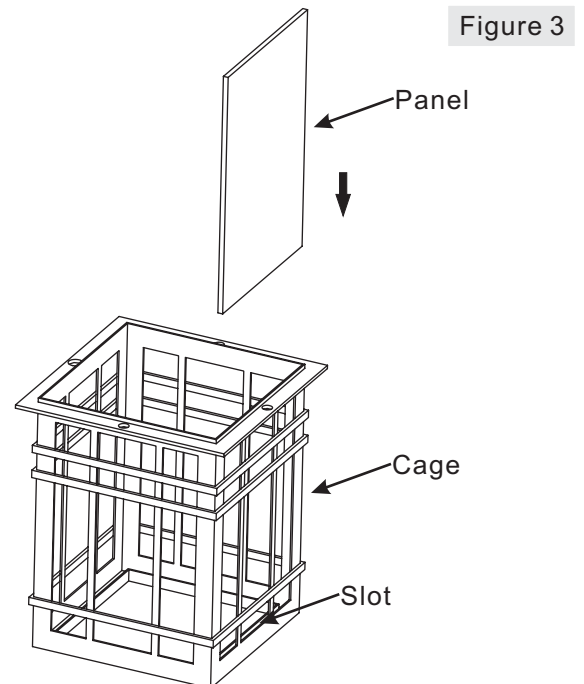
STEP 2 – Attach Crossbar to Outlet Box

- Attach the Crossbar (A) to Outlet Box and secure by threading Outlet Box Screws (not supplied) into the Mounting Holes on the Outlet Box. Tighten until snug.



STEP 3 – Attach Panel to Cage

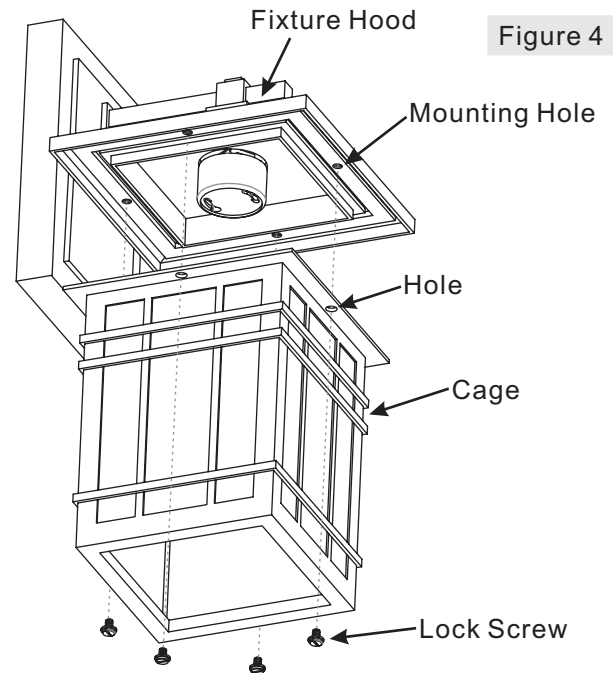
- Insert Panels (J) into the Slot inside of Cage(I) properly.



Thank you for purchasing a Quozel product.
Need assistance with parts or assembly? Call Quozel customer service at 1-631-273-2700
or visit us on-line at www. quozel. com

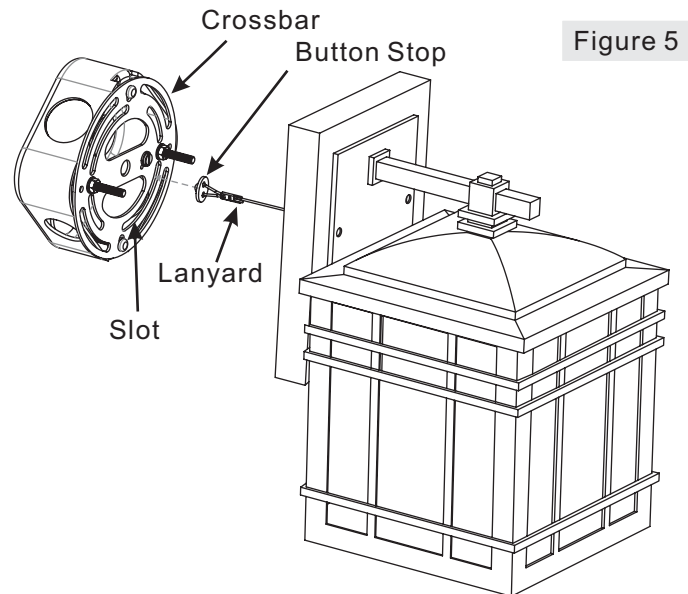
STEP 4 – Attach Shade to Fixture Body

- A. Attach the Cage (I) with Panels (J) onto the bottom of the Fixture Hood as shown. Line up hole on the top edge of the Cage (I) and Mounting Holes on the bottom edge of the Fixture Hood. Secure with Lock Screws (F) . Tighten until snug.



STEP 5 – Attach Lanyard

- A. The purpose of the lanyard is to provide the installer a means to support the fixture from the junction box while connecting the electrical wires. This enables the fixture to hang from the junction box and your hands are free to make the wire connections.
- B. Turn the Button Stop so it may be inserted into the crossbar slot. Make sure the Button Stop is completely inside the crossbar. Slowly release the fixture to make sure it is supported by the Button Stop. Proceed to the wiring steps. Once you are complete with the wiring there is nothing to do with Lanyard. The Lanyard will push into the junction box when the fixture is placed for final mounting.



Thank you for purchasing a Quozel product.

Need assistance with parts or assembly? Call Quozel customer service at 1-631-273-2700
or visit us on-line at www. quozel. com

STEP 6 – Make Wire Connections

Figure 7

- A. Use standard wire connectors to make all wire connections. (Connectors are not included with fixture.) Strip and prepare wire ends according to instructions supplied with connectors.
- B. Connect White Supply Wire from the Outlet Box to White Wire from fixture.
- C. Connect Black (or Red) Supply Wire from the Outlet Box to Black Wire from fixture.
- D. Connect Ground Wire from the Outlet Box to Ground Wire from fixture.
- E. Twist connectors until wires are tightly joined together.
- F. Wrap each connection with approved electrical tape and carefully stuff all the connected wires into the Outlet Box.

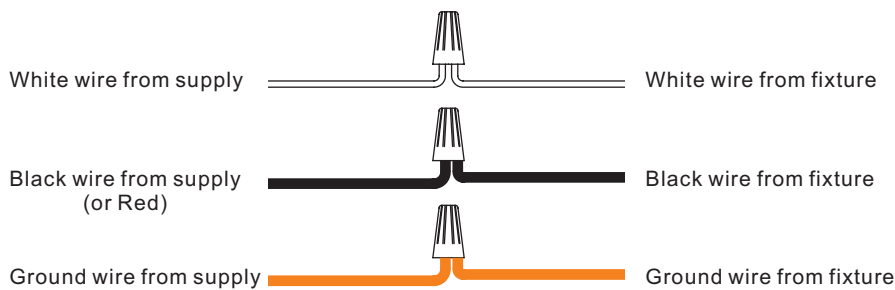
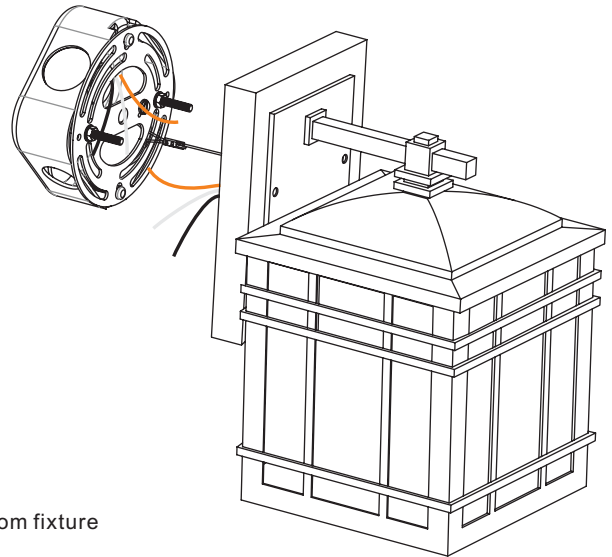
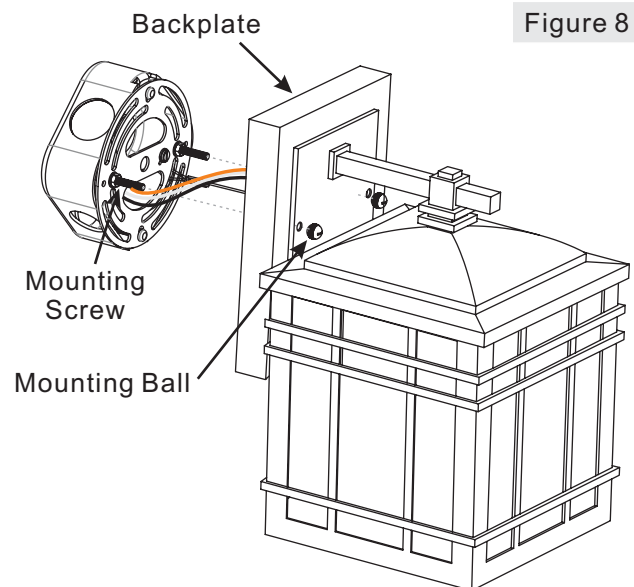


Figure 6

STEP 7 – Attach Fixture Body to Mounting Screw

Figure 8

- A. Place the backplate of the Fixture Body (H) over the Mounting Screws (B) and secure with Mounting Balls (E). Hand tighten until snug.

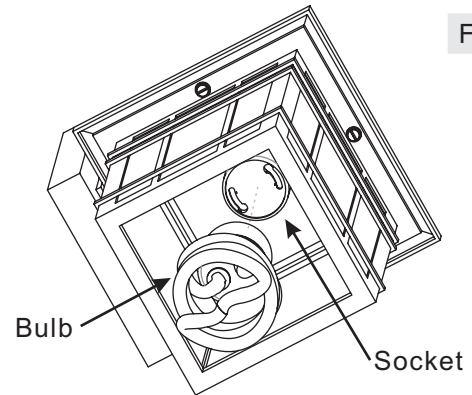


Thank you for purchasing a Quozel product.
Need assistance with parts or assembly? Call Quozel customer service at 1-631-273-2700
or visit us on-line at www. quozel. com

Assembly Instruction Sheet #IS-HC8409IBGU For Style HC8409IBGU

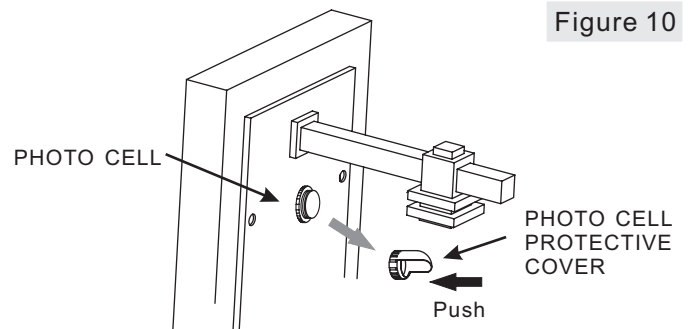
STEP 8 – Install Bulb

- A. This fixture uses CFL Spring Self-ballasted bulb with GU 24 base. Maximum 18 watts.
- B. Install the Lamp into the Socket Base by aligning the pins on the Lamp with the keyholes in the Socket Base. Once they are aligned, gently push the Lamp into the keyholes and twist the Lamp to lock it in place.



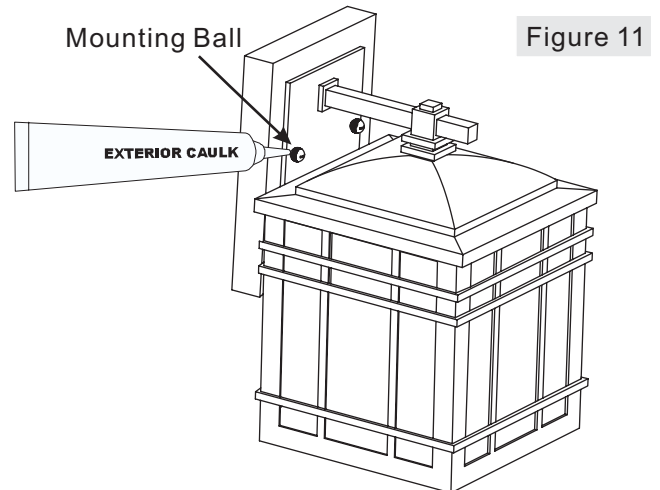
STEP 9 – Photocell Switch Cover

- A. A Photocell Switch Cover is provided in the case that your light requires additional shielding from the fixture light in order to operate correctly. Locate the Photocell Switch on your fixture and simply push the Photocell Cover onto the Photocell Switch. Be sure to orient the cover so that the cover is blocking the light from the fixture.



STEP 10 – Apply Silicone Sealer to Mounting Balls

- A. To prevent moisture from entering the wire compartment, apply a small amount of silicone sealer (not included) to the threaded side of the mounting balls (E) and then install them onto the mounting screws (B). Wipe off excess caulk.



Thank you for purchasing a Quozel product.
Need assistance with parts or assembly? Call Quozel customer service at 1-631-273-2700
or visit us on-line at www. quozel. com

STEP 10 – Apply Silicone Sealer to Backplate

A. Make sure exterior wall surface and fixture backplate are free of dirt before applying caulk. Using exterior grade caulk, start on one side of fixture backplate and follow contour, where the fixture backplate meets the exterior wall surface upward. Proceed to caulk over top of backplate and down other side. Do not caulk bottom of fixture backplate to ensure proper moisture drainage.

Your fixture is now assembled and ready to use. Enjoy!

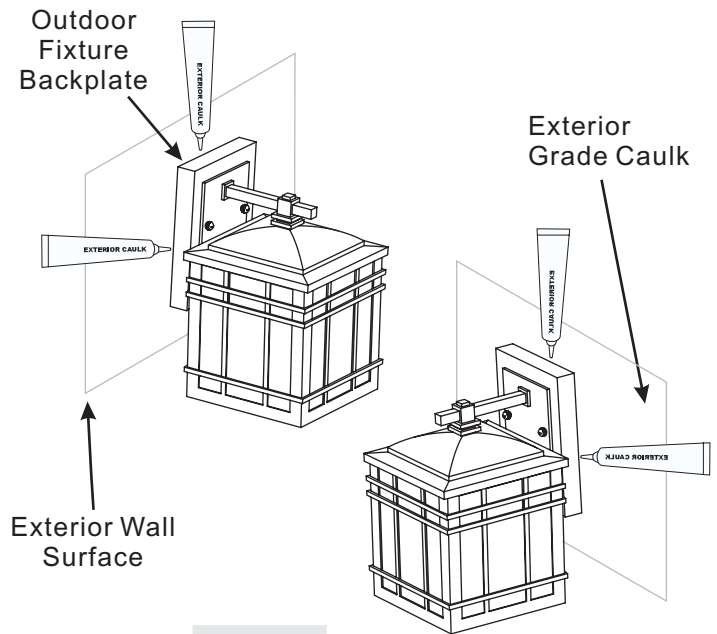


Figure 11

Thank you for purchasing a Quozel product.

**Need assistance with parts or assembly? Call Quozel customer service at 1-631-273-2700
or visit us on-line at www. quozel. com**