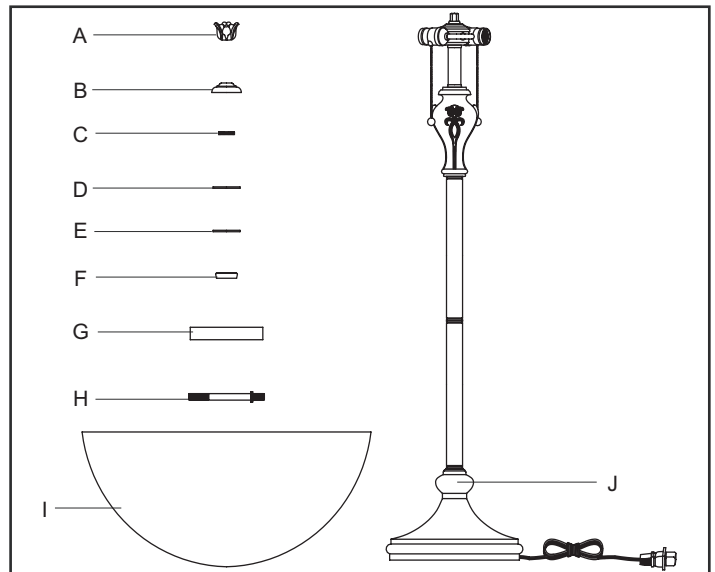


PACKAGE CONTENTS

ISSUED 05-2008

Revised 2008-07-30

Part	Description	Quantity
A	Finial	1pc
B	Cap	1pc
C	Knurl Nut	1pc
D	Flat Washer	2pcs
E	Rubber Washer	2pcs
F	Check Ring	1pc
G	Spacer Tube	1pc
H	Nipple with Knurl Nut	1pc
I	Shade	1pc
J	Base	1pc



! WARNINGS AND CAUTIONS

CAUTIONS:

- These instructions are provided for your safety. It is very important to read completely before the installation of your fixture.
- We strongly recommend that a professional electrician install the fixture.
- Disconnect fixture from the power source before replacing the bulb(s), making sure the bulb(s) had sufficient time to cool down. DO NOT subject the lamp to any shock while lit as shattering of lamp may result.

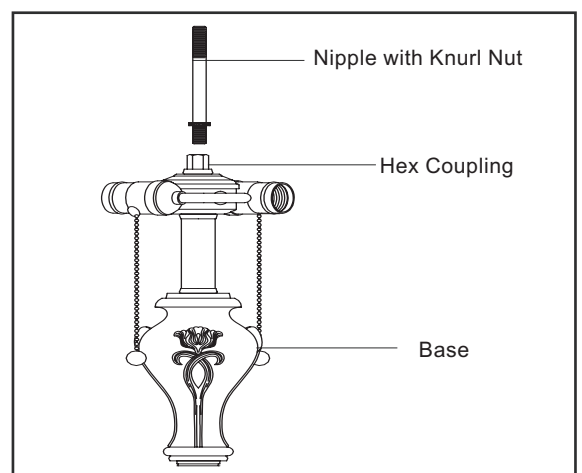
PREPARATION

- Before beginning installation of product, make sure all parts are present. Compare parts with package contents list and diagram above. If any part is missing or damaged, do not attempt to assemble, install or operate the product. Contact customer service for replacement part.
- Estimated Assembly Time : 15 - 30 minutes
- Tools Required for Assembly (not included) : Flathead screwdriver, Phillips screwdriver, pliers, electrical tape, wire cutters, safety glasses & 2, 75 Watt, Type-A Medium Base Bulbs.
- Helpful Tools(not included): Wire Strippers.

ASSEMBLY INSTRUCTIONS

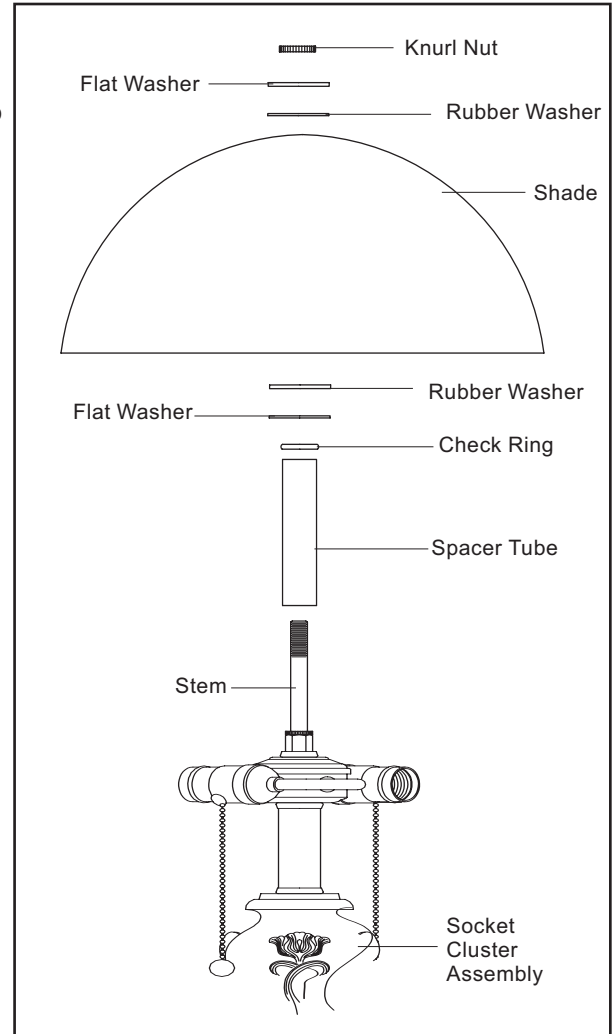
STEP 1 :

- Place Base onto a flat work surface.
- Position Nipple with Knurl Nut. Screw the Knurl Nut end into Hex Coupling. Using pliers, thread the Knurl Nut against Hex Coupling and hand tighten until snug.



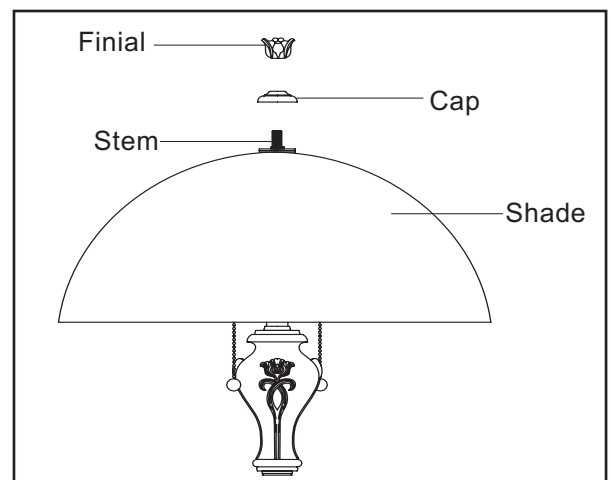
STEP 2 :

- a. Place Spacer Tube over the Stem, attaching onto the top center of Socket Cluster Assembly.
- b. Proceed to place the following components over the top end of Stem in turn: Check Ring, Flat Washer, Rubber Washer, Shade, Rubber Washer and Flat Washer.
- c. Thread Knurl Nut onto the Stem and tighten until snug gently to secure the above parts.



STEP 3 :

- a. Place the Cap over the Stem onto the top of the Shade.
- b. Thread Finial onto the Stem and tighten until snug to secure the Cap.



STEP 4:

- a. Install the correct wattage Bulbs referring to the fixture markings and/or labels for maximum wattage.

Your assembly is completed now. Plug the plugs into the Wall Outlet Box.