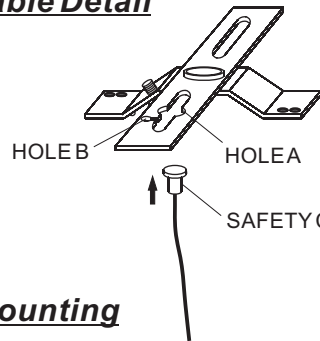


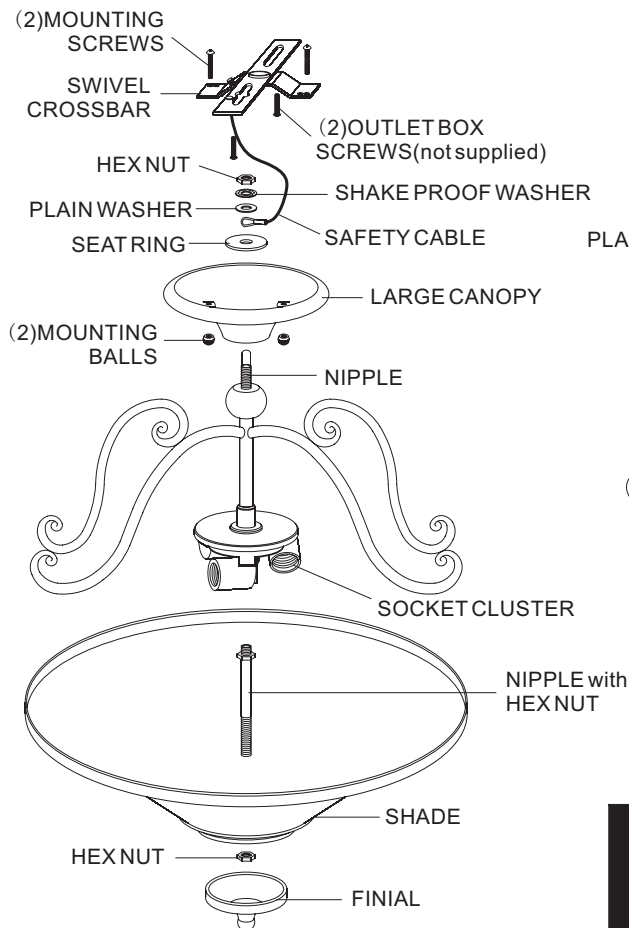
QUOIZEL

6 CORPORATE PARKWAY
GOOSE CREEK, SC. 29445
www. quoizel.com

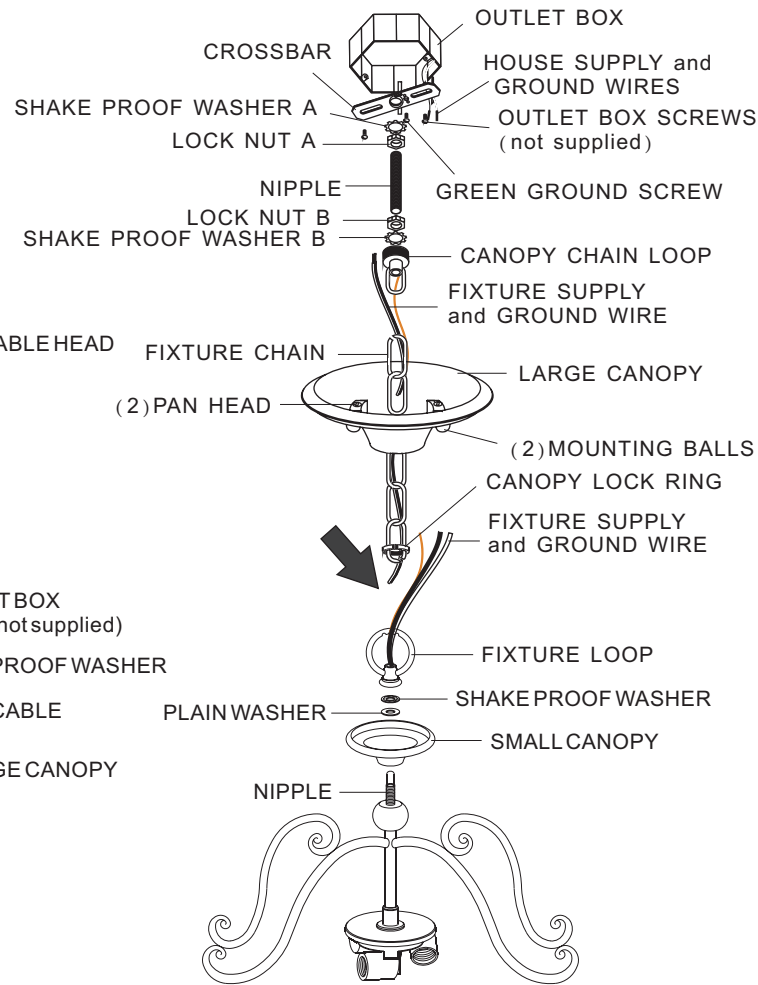
Safety Cable Detail



Direct Mounting



Chain-Hung Mounting



**IF IN DOUBT ABOUT
ELECTRICAL INSTALLATION,
CONSULT A LICENSED
ELECTRICIAN!**

ASSEMBLY/INSTALLATION INSTRUCTIONS

1. Before beginning the installation, carefully unpack and identify all parts, referring to the illustrations.
2. Turn the power to the installation point OFF at circuit breaker.
3. Locate NIPPLE with HEX NUT. Thread top end of NIPPLE into coupling underside of SOCKET CLUSTER and tighten until snug. Use plier, thread HEX NUT against coupling and tighten until snug.
4. Position SHADE over end of NIPPLE and secure by threading HEX NUT onto the end of NIPPLE. Tighten until snug. Proceed to thread FINIAL onto the end of NIPPLE and tighten until snug.
5. Determine hanging method [chain or direct]:

Chain-Hung Mounting:

- a) Locate SMALL CANOPY, PLAIN WASHER and SHAKE PROOF WASHER over the NIPPLE on the top end of fixture. Thread FIXTURE LOOP onto the NIPPLE and hand tighten until snug to secure them.
- b) Fasten the CROSSBAR to the OUTLET BOX with (2) OUTLET BOX SCREWS (not supplied). Proceed to thread LOCK NUT A and SHAKE PROOF WASHER A onto the end of NIPPLE. Thread NIPPLE into the center of CROSSBAR. Locate the LOCK NUT B onto the bottom end of NIPPLE. Tighten LOCK NUT A against CROSSBAR with plier until snug.
- c) Locate the FIXTURE CHAIN and determine desired hanging height of fixture. Adjust chain by removing links if needed. Please note that depending on chain material thickness, you might be required to use chain pliers to spread links open. Proceed to attach one end of chain to FIXTURE LOOP, attached to top of fixture. Pass the fixture wires through FIXTURE CHAIN alternating links. Proceed to pass the fixture wires through the following components in this order: (1) CANOPY LOCK RING; (2) CEILING CANOPY.
- d) **Make the connections:** (2 people recommended for the remaining steps) Position the fixture under the ceiling mounted outlet box. Pass SHAKE PROOF WASHER B over the NIPPLE. Thread CANOPY CHAIN LOOP onto the NIPPLE. Thread LOCK NUT B down the NIPPLE, against the CANOPY CHAIN LOOP and snug with plier. Pass the wires through the NIPPLE. Take up wire slack and trim wires so that approx. 6" will remain inside outlet box. Use wire connectors (not supplied) attach the FIXTURE GROUND WIRE to the FIXTURE GROUND WIRE; connect the HOUSE WHITE WIRE to the FIXTURE WHITE (or RIBBED) WIRES; connect the HOUSE BLACK (or RED) WIRE to the FIXTURE BLACK (or SMOOTH) SIDE. Wrap each connection with approved electrical tape.
- e) With the proper connection made, proceed to push the CEILING CANOPY upward over the OUTLET BOX. Be sure that all wires are carefully tucked into the OUTLET BOX cavity. Secure CANOPY against ceiling by threading CANOPY LOCK RING onto the CANOPY LOOP. Hand tighten until snug.

Direct Mounting:

- a) Remove the SMALL CANOPY and use the LARGE CANOPY. Position LARGE CANOPY, SEAT RING, SAFETY CABLE, PLAIN WASHER and SHAKE PROOF WASHER over the NIPPLE on the top end of fixture. Secure them by threading HEX NUT onto the NIPPLE. Hand tighten until snug.
- b) Locate (2) MOUNTING SCREWS and thread them into the back of SWIVEL CROSSBAR, make sure that they match the holes on the LARGE CANOPY. Use (2) OUTLET BOX SCREWS (not supplied), fasten the SWIVEL CROSSBAR to the OUTLET BOX.
- c) Refer to **SAFETY CABLE DETAIL**, make the SAFETY CABLE HEAD over HOLE A and guide wires into the HOLE B. The base of SAFETY CABLE HEAD will lock into round end of HOLE B. This cable will assist in holding up the fixture while you make the wire connections.
- d) **Make the connections:** Use wire connectors (not supplied) attach the FIXTURE GROUND WIRE to the FIXTURE GROUND WIRE; connect the HOUSE WHITE WIRE to the FIXTURE WHITE (or RIBBED) WIRES; connect the HOUSE BLACK (or RED) WIRE to the FIXTURE BLACK (or SMOOTH) SIDE. Wrap each connection with approved electrical tape.
- e) Carefully tuck all of the wiring up into the outlet box and fit the LARGE CANOPY over the MOUNTING SCREWS. Secure the LARGE CANOPY to the ceiling with (2) MOUNTING BALLS, making sure that the balls are fully threaded onto the MOUNTING SCREWS before tightening.

6. Install bulbs referring to fixture markings and/or labels for maximum wattage.
7. Return the power to the installation point ON. Retain this sheet for future reference.