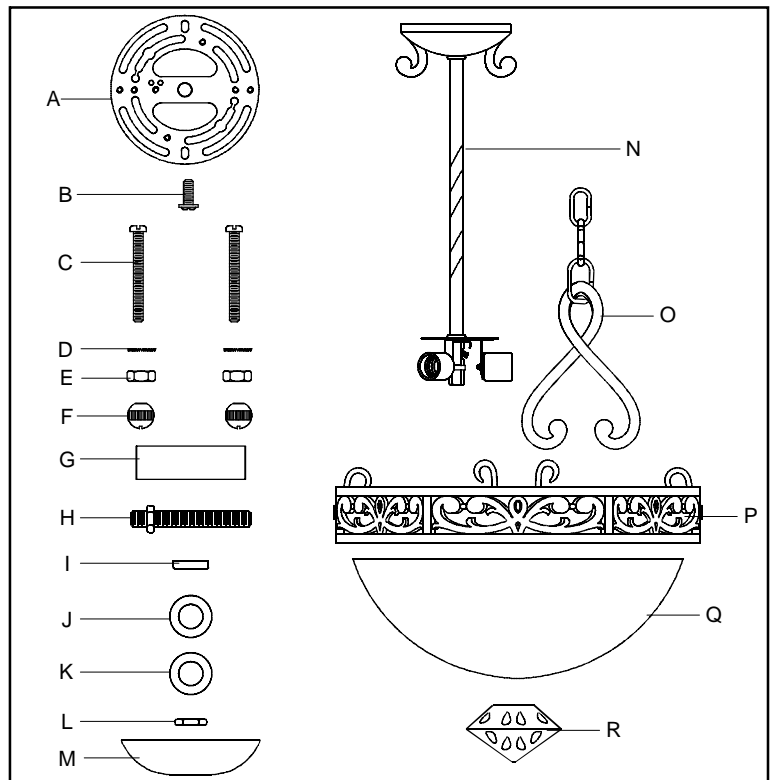


**PACKAGE CONTENTS**

Revised 2008-11-11

Part	Description	Quantity
A	Crossbar	1pc
B	Green Ground Screw	1pc
C	Mounting Screw	2pcs
D	Lock Washer (for #8-32 Screw)	2pcs
E	Hex Nut (for #8-32 Screw)	2pcs
F	Mounting Ball	2pcs
G	Spacer Tube	1pc
H	Nipple with Hex Nut	1pc
I	Check Ring	1pc
J	Flat Washer	1pc
K	Rubber Washer	1pc
L	Hex Nut (1/8IP)	1pc
M	Cap	1pc
N	Center Column	1pc
O	Decorative Chain	3pcs
P	Decorative Ring	1pc
Q	Shade	1pc
R	Finial	1pc



**! WARNINGS AND CAUTIONS**

**WARNING:**

- Before beginning the installation, turn off electricity at the circuit breaker box or the main fuse box by switching off the circuit breaker or removing the fuse.

**CAUTIONS:**

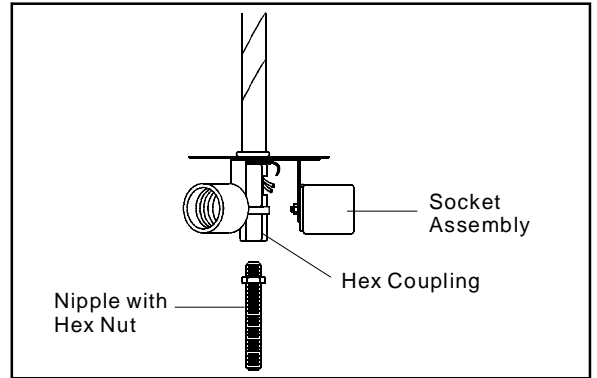
- These instructions are provided for your safety. It is very important that they are read completely before the installation of your fixture. We strongly recommend that a professional electrician install the fixture.
- Disconnect fixture from the power source before replacing the bulb(s), making sure the bulb(s) had sufficient time to cool down. DO NOT subject the lamp to any shock while lit as shattering of lamp may result.

**PREPARATION**

- Before beginning installation of product, make sure all parts are present. Compare parts with package contents list and diagram above. If any part is missing or damaged, do not attempt to assemble, install or operate the product. Contact customer service for replacement part.
- Estimated Assembly Time: 30 - 45 minutes
- Tools Required for Assembly (not included): Flathead screwdriver, Phillips screwdriver, pliers, electrical tape, wire cutters, safety glasses & 3, 100 Watt, Type-A Medium Base Bulbs.
- Helpful Tools (not included): Wire Strippers.

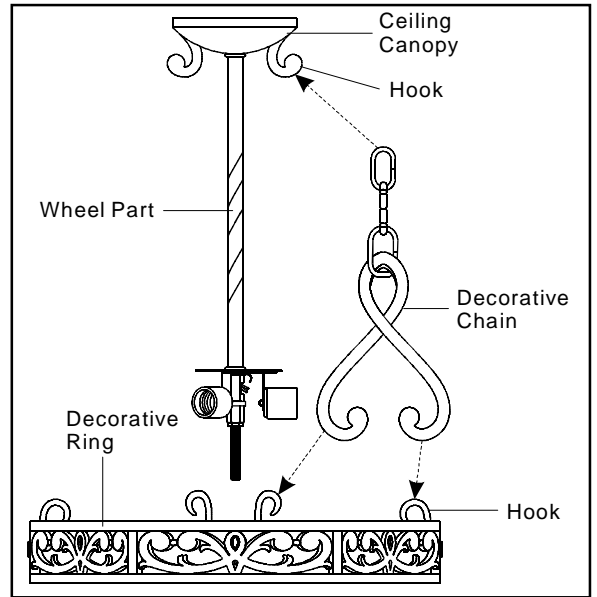
**STEP 1:**

- a. Thread the Nipple into the Hex Coupling underside of the Socket Cluster. Using plier, thread the Hex Nut against the Hex Coupling and hand tighten until snug.



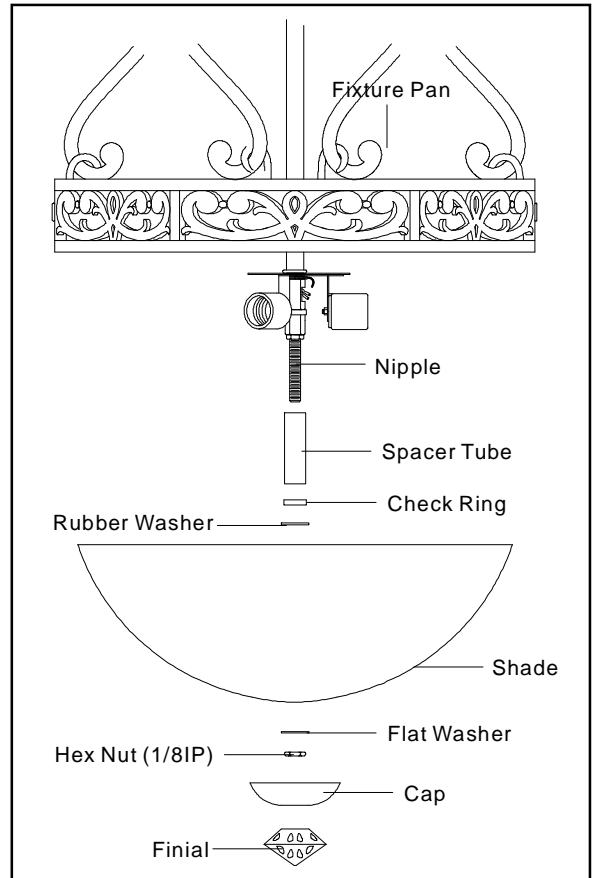
**STEP 2:**

- a. Locate top ends of Decorative Chains onto Hooks on the side of the Ceiling Canopy as shown.
- b. Lift the Decorative Ring upward and locate the Hooks on it onto the bottom ends of the Decorative Chains.



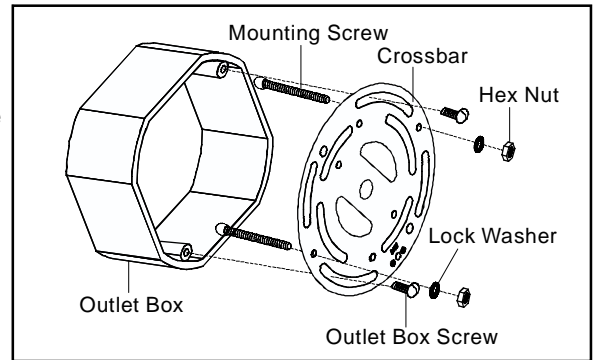
**STEP 3:**

- a. Locate the following components over the end of the Nipple in turn: Spacer Tube, Check Ring, Rubber Washer, Shade and Flat Washer.
- b. Thread the Hex Nut (1/8IP) onto the end of the Nipple and tighten until snug to secure the above parts.
- c. Locate the Cap over the end of the Nipple and secure with the Finial. Hand tighten until snug.



## STEP 4:

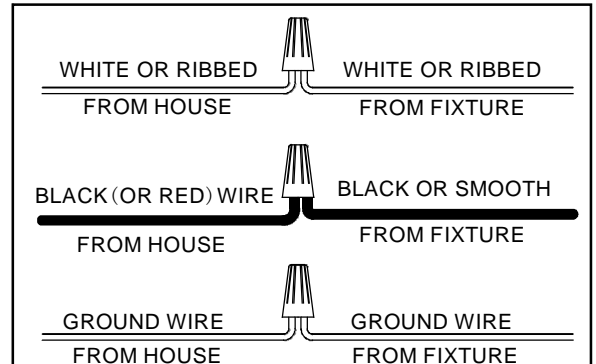
- a. Screw the Mounting Screws into the Crossbar, place the Lock Washers over the Mounting Screws and thread the Hex Nuts onto the Mounting Screws as shown. Secure the position of the Mounting Screws by tightening the Hex Nuts against the Crossbar.
- b. Secure the Crossbar to the Outlet Box with Outlet Box Screws.



## STEP 5:

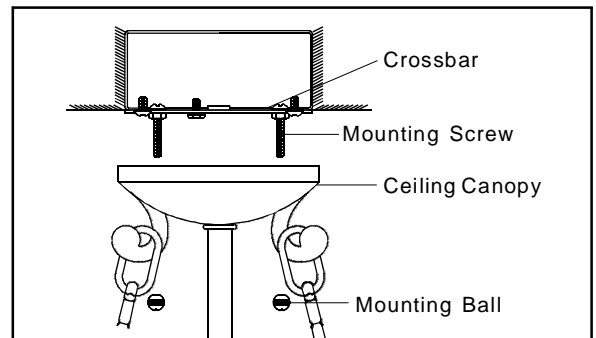
\*Use Wire Connectors (not supplied) to connect the wires.

- a. Connect the House Ground Wire to the Fixture Ground Wire.
- b. Connect the House White (or Ribbed) Wire to the Fixture Supply Wire (White or Ribbed Side).
- c. Connect the House Black (or Red) Wire to the Fixture Supply Wire (Black or Smooth Side).
- d. Wrap each connection with approved electrical tape and carefully stuff all of the connected wires into the Outlet Box.



## STEP 6:

- a. Place Ceiling Canopy onto Outlet Box aligning 2 holes in the Backplate with 2 Mounting screws threaded on the Crossbar and secure it against wall with Mounting Balls.



## STEP 7:

- a. Install correct bulbs referring to fixture markings and/or labels for maximum wattage.

Your installation is completed now. Restore electricity. Retain this sheet for future reference.