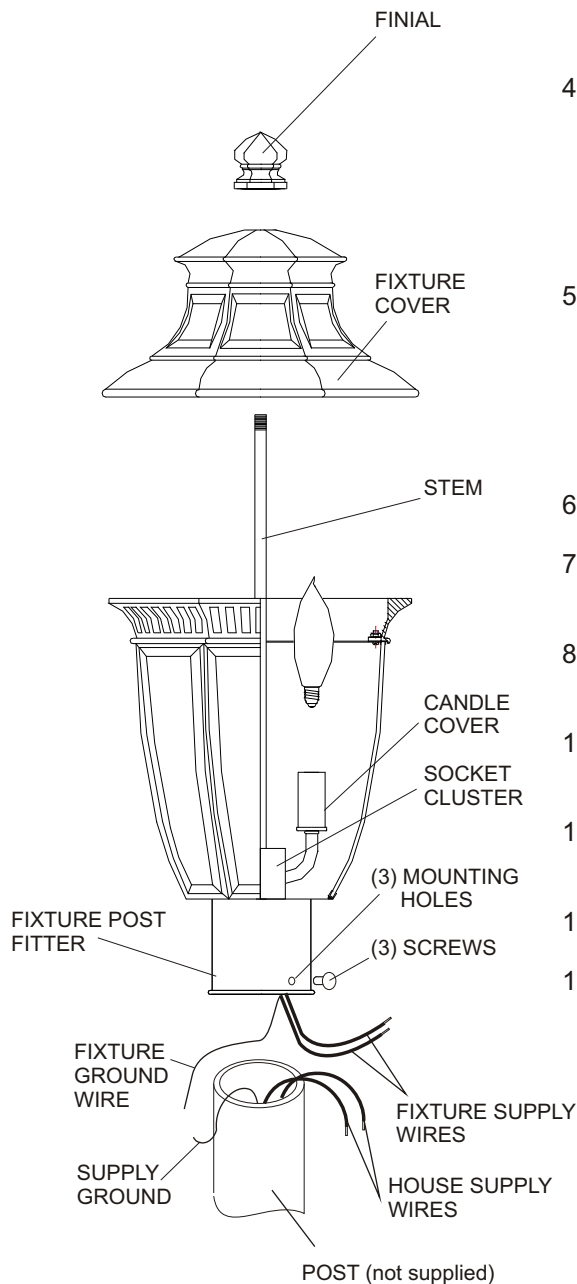




ASSEMBLY/INSTALLATION INSTRUCTIONS:

FIGURE 1

Note: Partial illustration for clarity



1. Before beginning the assembly/installation, carefully unpack and identify parts, referring to FIGURE 1.
2. Turn the electrical power to the installation point **OFF**.
3. Carefully fit the **FIXTURE POST FITTER** over the end of the **POST**, making sure the **FIXTURE POST FITTER** is fully seated. Mark the (3) drill points for the **FIXTURE MOUNTING SCREWS**, using (3) **FIXTURE MOUNTING HOLES** as reference. After marking hole locations, remove **FIXTURE** from **POST** and drill (3) 1/16" pilot holes for screws.
4. **Make the wiring connections:** Using wire connectors (supplied), connect the **WHITE SUPPLY WIRE** from the **POST** to the **WHITE FIXTURE WIRE**; connect the **BLACK (or RED) SUPPLY WIRE** from the **POST** to the **BLACK FIXTURE WIRE**. Connect the **SUPPLY GROUND WIRE** to the **FIXTURE GROUND WIRE**. Wrap all all connections with approved electrical tape.
5. Coat the top 1" of the **POST** with **CLEAR SILICONE CAULK** (not supplied) and position the **FIXTURE POST FITTER** onto the **POST**. Be sure to seat it completely, aligning the (3) holes in the **FITTER** with the (3) 1/16" **PILOT HOLES** drilled into the **POST**. Secure the **FIXTURE** to **POST** with (3) **FIXTURE MOUNTING SCREWS** (supplied)
6. Locate the **CANDLE COVERS** and place over the **SOCKETS**.
7. Locate the **STEM** and thread bottom into the top of **SOCKET CLUSTER**. Hand tighten until snug.
8. Install bulbs referring to fixture markings and or labels for maximum wattage.
10. Locate the **FIXTURE COVER** and pass center hole over top of **STEM**. Be sure that cover is properly seated prior to securing.
11. Secure cover by threading **FINIAL** onto end of **STEM**. Hand tighten until snug.
12. Restore power to the installation point **ON**.
13. Retain this sheet for future reference.

**IF IN DOUBT ABOUT ELECTRICAL INSTALLATION,
CONSULT A LICENSED ELECTRICIAN !**

IMPORTANT NOTE: MAXIMUM INSTALLED HEIGHT: 100 FEET

All conditions, installations and wiring must be in accordance with any applicable codes or ordinances. If you are in doubt about any portion of this installation, consult a qualified licensed electrician.

