

FIGURE 1.

Note: Generic backplate illustration

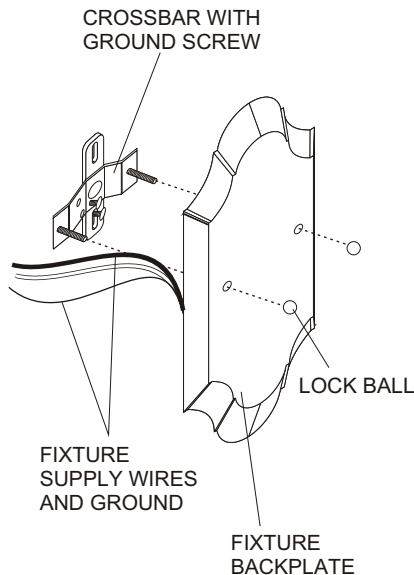
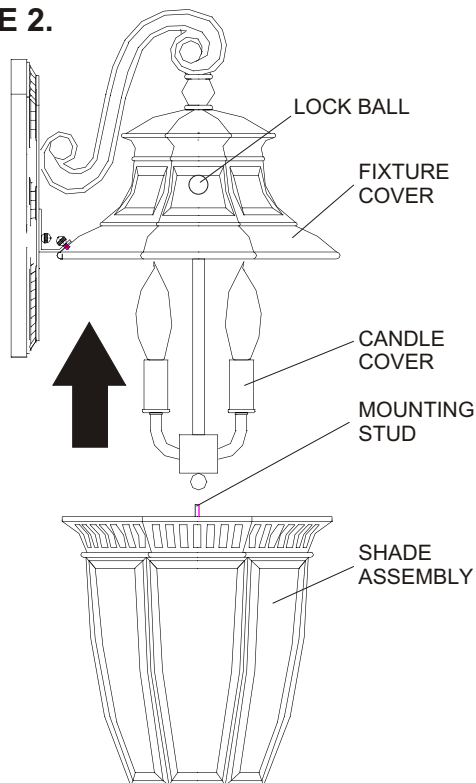


FIGURE 2.



ASSEMBLY / INSTALLATION **INSTRUCTIONS**

1. Before beginning carefully and identify all parts referring to Figure 1 and Figure 2.
2. (Refer to Figure 1) Turn power to the installation point OFF. Locate and secure CROSSBAR to the wall mounted OUTLET BOX with (2) OUTLET BOX SCREWS (not supplied).
3. ***Make the connections: (Quoizel recommends (2) people for the next 2 steps.*** Position the fixture in front of outlet box. Connect the HOUSE GROUND wire and the FIXTURE GROUND wire to UNIVERSAL CROSSBAR using GROUND SCREW (green); using wire connectors (not supplied), connect the HOUSE WHITE WIRE to the FIXTURE WHITE WIRE; connect the HOUSE BLACK (or RED) WIRE to the FIXTURE BLACK WIRE. Make sure there are no exposed wires.
4. Carefully tuck in all wiring into the OUTLET BOX and position the FIXTURE over the (2) MOUNTING STUDS. Pass the studs through the (2) MOUNTING HOLES on the fixture BACKPLATE. Locate (2) LOCK BALLS and thread onto ends of studs. To secure FIXTURE to wall, tighten balls until snug
5. (Refer to Figure 2) Locate the CANDLE COVERS and pass over the SOCKETS (amount depends on style purchased).
6. Install bulb referring to fixture markings and / or labels for maximum wattage.
7. Locate SHADE ASSEMBLY and pass the (2) MOUNTING STUDS at top through the (2) MOUNTING HOLES in FIXTURE COVER. Thread LOCK BALLS onto studs to secure shade. Hand tighten until snug.
8. Refer to enclosed IS-727 for weather proofing instructions.
9. Restore power to the installation point ON. Retain this sheet for future reference.

IF IN DOUBT ABOUT ELECTRICAL INSTALLATION,
CONSULT A LICENSED ELECTRICIAN!