

Assembly Instruction Sheet #IS-EL1285CB For Styles EL1285CB

Quozel, Inc.
 6 Corporate Parkway
 Goose Creek, SC
 29445

Customer Service
 Phone 631.273.2700
 Fax 631.231.7102
 www. quozel. com

Tools Required: Flathead screwdriver, Phillips screwdriver, pliers, wire cutters, wire strippers, electrical tape, safety glasses.

Bulb Recommended: (1) T3 RSC 300W Maximum

Estimated Assembly Time: 20-30 minutes

Preparation: Identify and inspect all parts before beginning installation. Check package content list and diagrams below to be sure all parts are present. If any parts are missing or damaged, do not attempt to assemble, install, or operate the fixture. Contact customer service for replacement parts.

Warnings and Cautions

Turn off electricity at circuit breaker or main fuse box before installation. Consult a licensed electrician if in doubt.

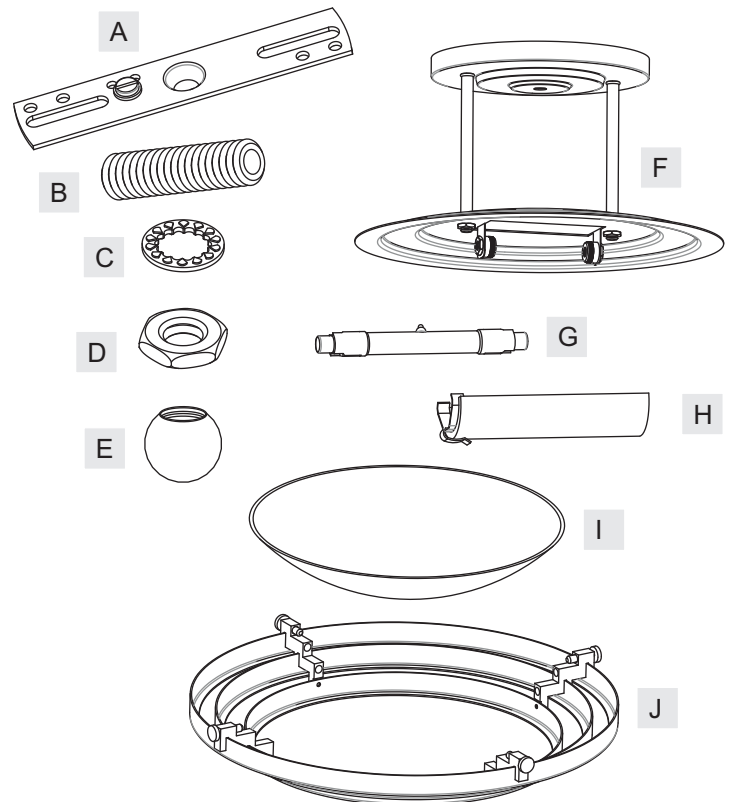
These instructions are provided for your safety. It is very important you read them completely before installing the fixture. We strongly recommend that a licensed, professional electrician perform the installation.

Disconnect fixture from power source before replacing bulbs. Make sure bulbs are given sufficient time to cool before removal. Do not subject glass parts to any shock while in operation or shattering may result.

Do not touch the bulb with bare hands use a cloth or glove.

Package Contents

| Part | Description | Quantity |
|------|---------------|----------|
| A | Crossbar | 1 pc. |
| B | Nipple | 1 pc. |
| C | Lock Washer | 1 pc. |
| D | Hex Nut | 1 pc. |
| E | Mounting Ball | 1 pc. |
| F | Fixture Body | 1 pc. |
| G | T3 Bulb | 1 pc. |
| H | Bulb Shield | 1 pc. |
| I | Shade | 1 pc. |
| J | Shade Holder | 1 pc. |

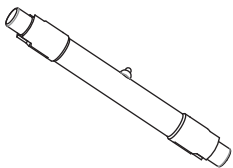
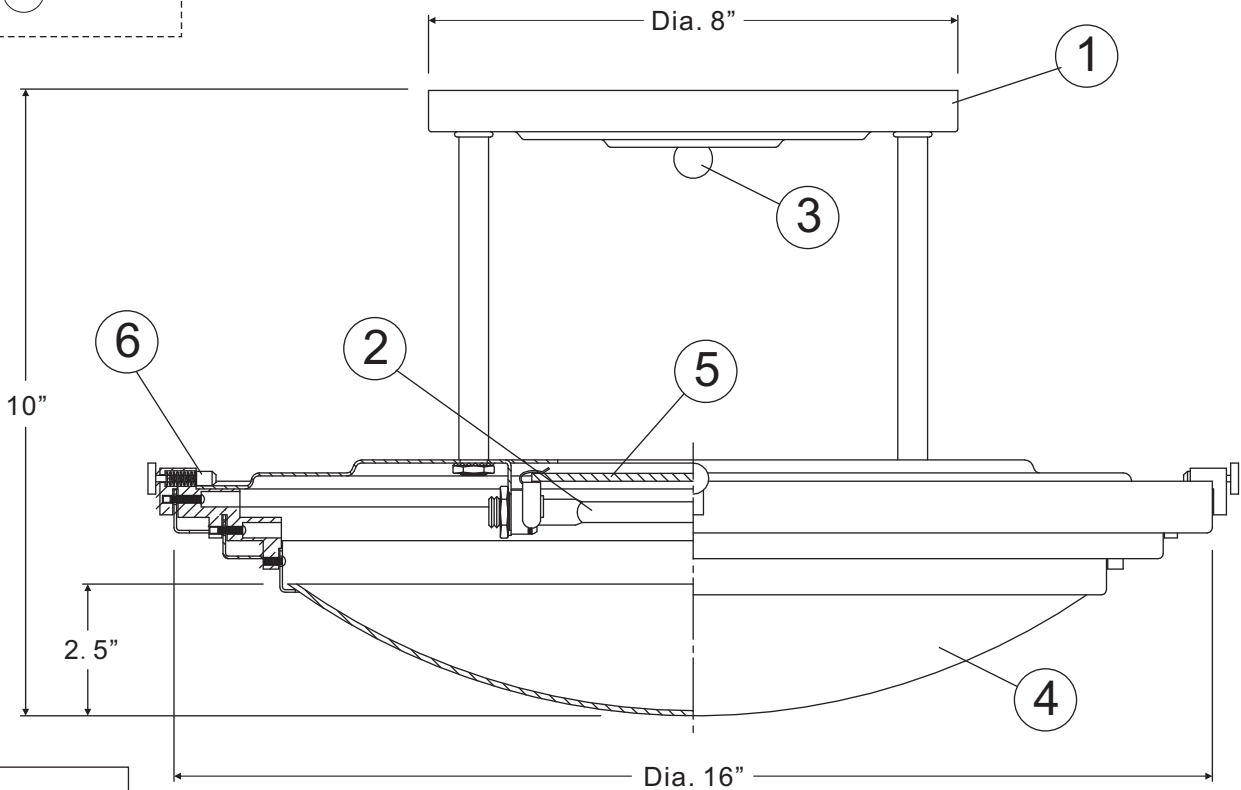
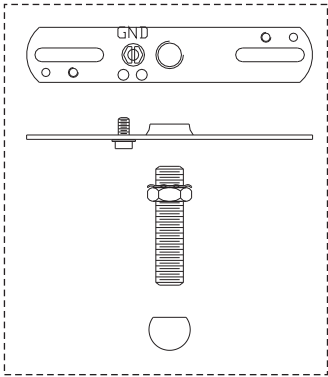


Thank you for purchasing a Quozel product.

**Need assistance with parts or assembly? Call Quozel customer service at 1-631-273-2700
 or visit us on-line at www. quozel. com**

EL1285CB

FINISH: BRUSHED CHROME



(1)300W
T3 RSC Bulb
(Supplied)

NOTE: ALL DIMENSIONS ARE ROUNDED UP TO THE NEAREST 1/2"

| NO. | PART NUMBER | REPLACEMENT PART DESCRIPTION | REQ. |
|-----|-------------|-----------------------------------|------|
| 1 | 11285CEL | BASE BRUSHED CHROME SEMI FLUSH | 1 |
| 2 | I807DC | BULB 300W HALOGEN DOUBLE ENDED | 1 |
| 3 | M1210FICB | FINIAL BRUSHED CHROME REPLACEMENT | 1 |
| 4 | G1285LM | GLASS REPLACEMENT EL1285 | 1 |
| 5 | G863LEX | LENS 5" HEAT | 1 |
| 6 | M2079SP | SPRING PIN FOR EL SERIES | 1 |

STEP 1 – Attach Crossbar to Outlet Box

- A. Secure the Corssbar (A) to the outlet box with outlet box screws (not supplied). Tighten until snug.

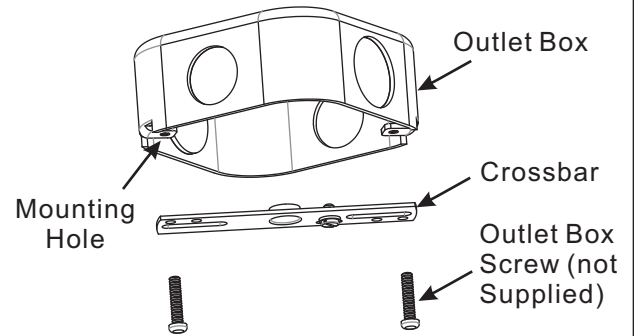


Figure 1

STEP 2 – Attach Nipple to Crossbar

- A. Thread one Hex Nut (D) onto the top end of the Nipple (B).
- B. Place one Lock Washer (C) over the top end of the Nipple (B) and then thread the Nipple (B) into the center lock hole of the Crossbar (A).
- C. Using pliers, thread the hex Nut (D) against the Crossbar (A) and hand tighten until snug.

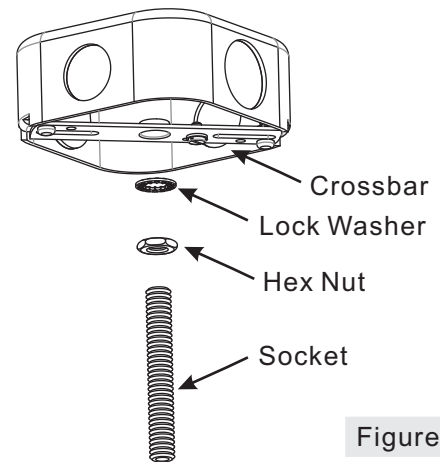


Figure 2

Thank you for purchasing a Quozel product.
Need assistance with parts or assembly? Call Quozel customer service at 1-631-273-2700
or visit us on-line at www. quozel. com

STEP 3 – Make Wire Connections

- Use standard wire connectors to make all wire connections. (Connectors are not included with fixture.) Strip and prepare wire ends according to instructions supplied with connectors.
- Connect White Supply Wire from the Outlet Box to White Wire from fixture.
- Connect Black (or Red) Supply Wire from the Outlet Box to Black Wire from fixture.
- Connect Ground Wire from the Outlet Box to Ground Wire from fixture.
- Twist connectors until wires are tightly joined together.
- Wrap each connection with approved electrical tape and carefully stuff all the connected wires into the Outlet Box.

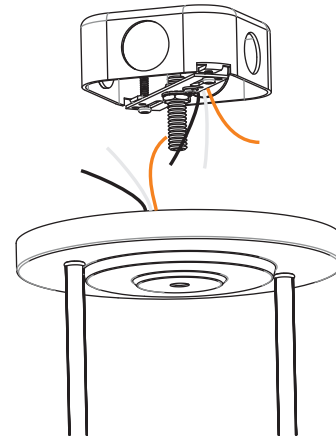


Figure 3

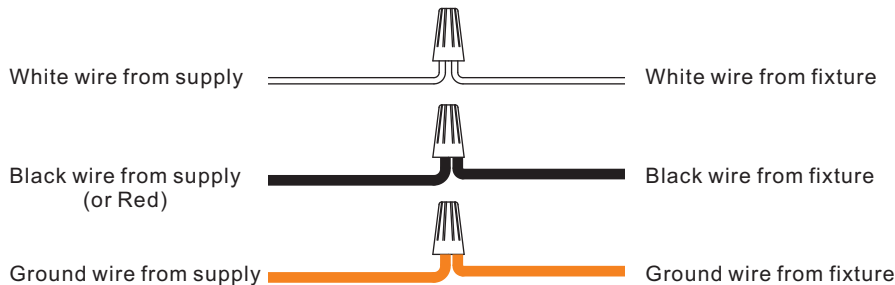


Figure 4

STEP 4 – Attach Fixture Body to Outlet Box

- Push the Ceiling Canopy of the Fixture Body (F) upward over the Outlet Box. Thread the Mounting Ball (E) onto the Nipple (B) and hand tighten until snug to secure the Ceiling Canopy.

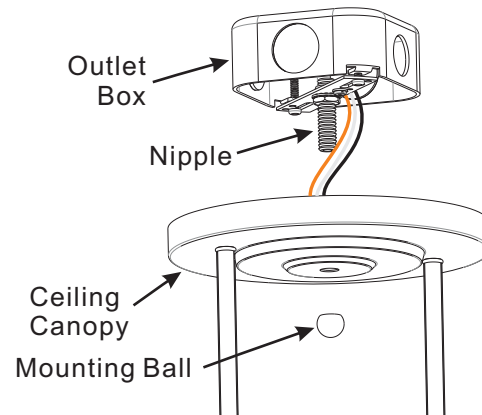


Figure 5

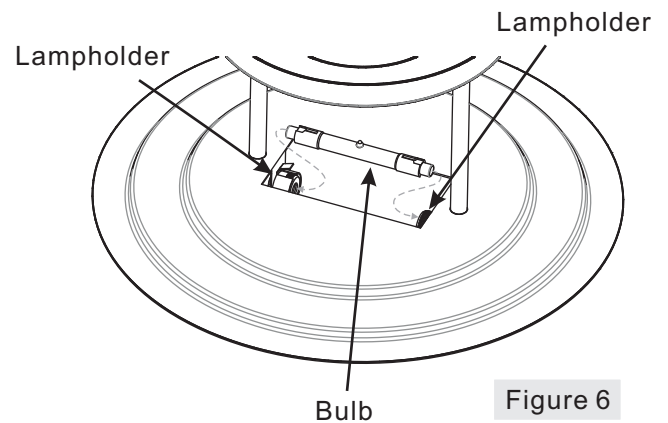
Thank you for purchasing a Quozel product.

Need assistance with parts or assembly? Call Quozel customer service at 1-631-273-2700
or visit us on-line at www. quozel. com

Assembly Instruction Sheet #IS-EL1285CB For Styles EL1285CB

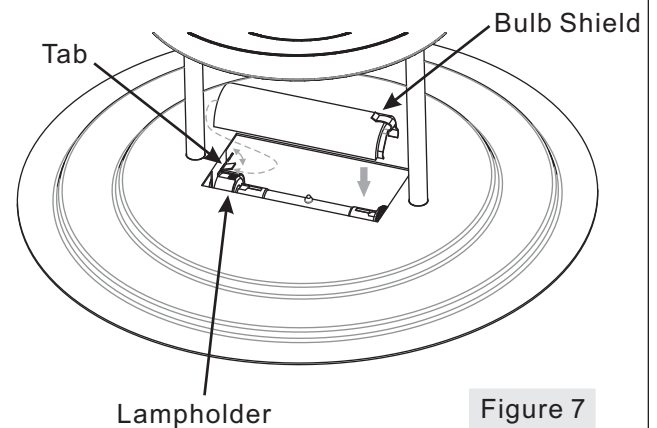
STEP 5 – Install Bulb

- A. This fixture uses T3 bulb. Maximum 300 watts.
B. Hold the Bulb (G) with cloth or tissue, carefully press one end of the Bulb (G) into the Lampholder. Repeat the process for the other side.
IMPORTANT: Do not touch the bulb with bare hands use a cloth or glove.



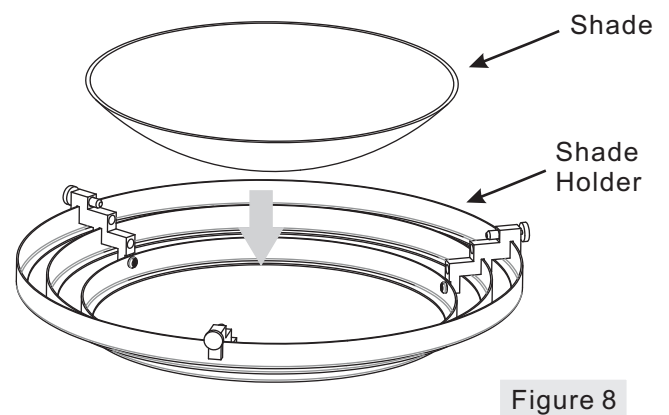
STEP 6 – Attach Bulb Shield

- A. Press the Tab on the Lampholder up, slide the free end of the Bulb Shield (H) under the Tab on the Lampholder. Locate the other side of the Bulb Shield (H) onto the another Lampholder. Press the Tab back on to engage the Bulb Shield (H).



STEP 7 – Insert Shade into Shade Holder

- A. Insert the Shade (I) into the Shade Holder (J).

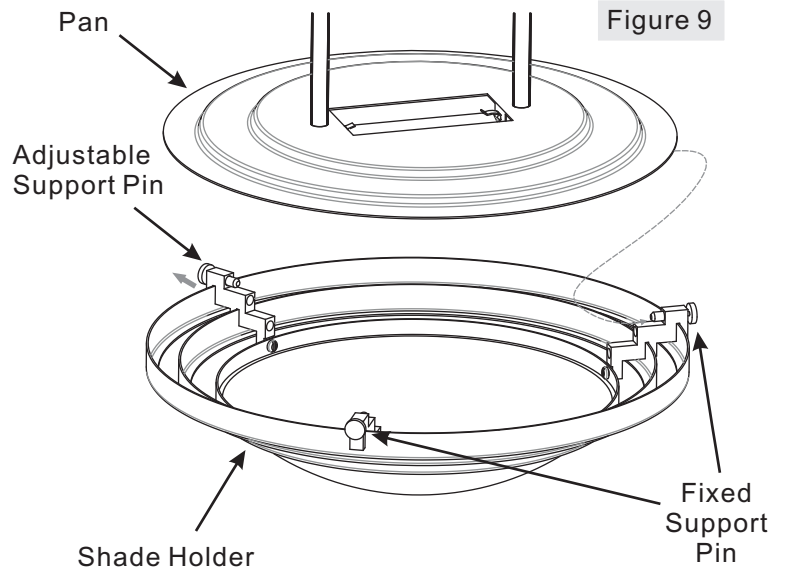


Thank you for purchasing a Quozel product.
Need assistance with parts or assembly? Call Quozel customer service at 1-631-273-2700
or visit us on-line at www. quozel. com

STEP 8 – Assemble Shade Holder with Shade to Fixture Body

- A. Attach the Shade Holder (J) with Shade (I) to the Fixture Body (F) by placing the two Fixed Support Pins of the Shade Holder (J) on top of the bottom lip of the Pan. Place the other end of the Shade Holder (J) onto the Pan and lock it in place with the Adjustable Support Pin.

Your fixture semi-flush lamp is now assembled and ready to use. Enjoy!



Thank you for purchasing a Quozel product.

Need assistance with parts or assembly? Call Quozel customer service at 1-631-273-2700
or visit us on-line at www. quozel. com